

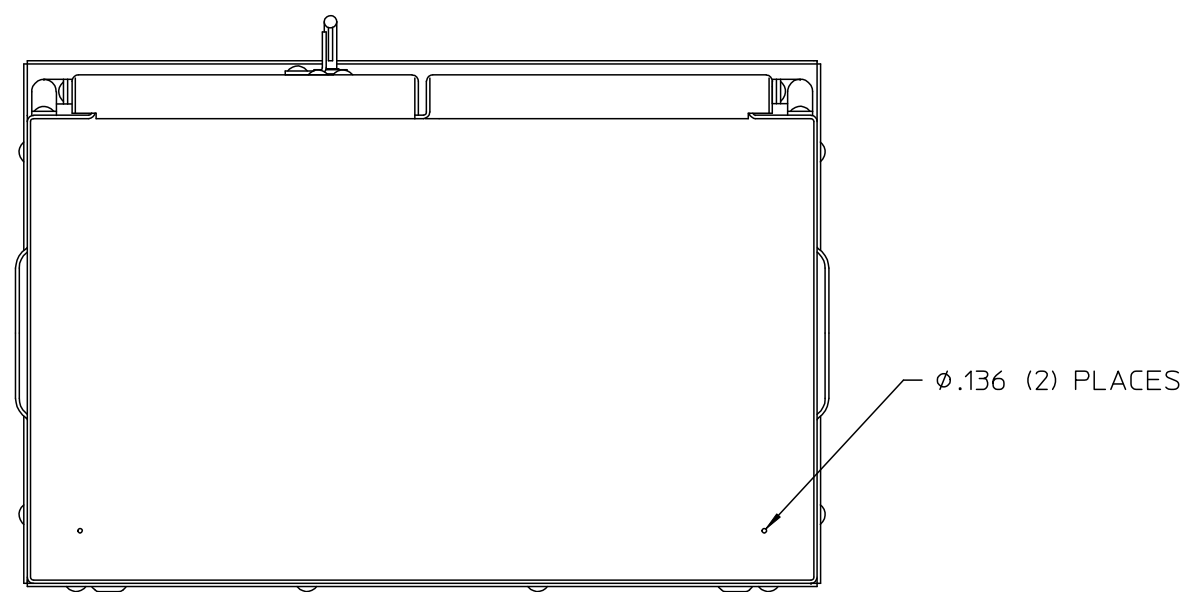
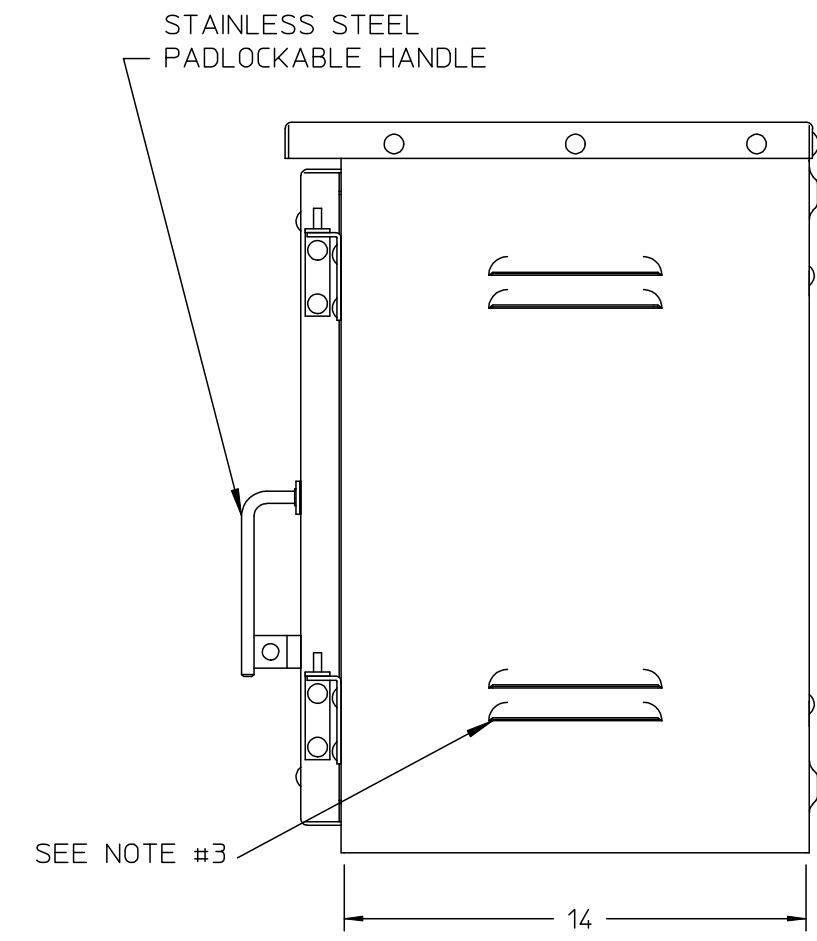
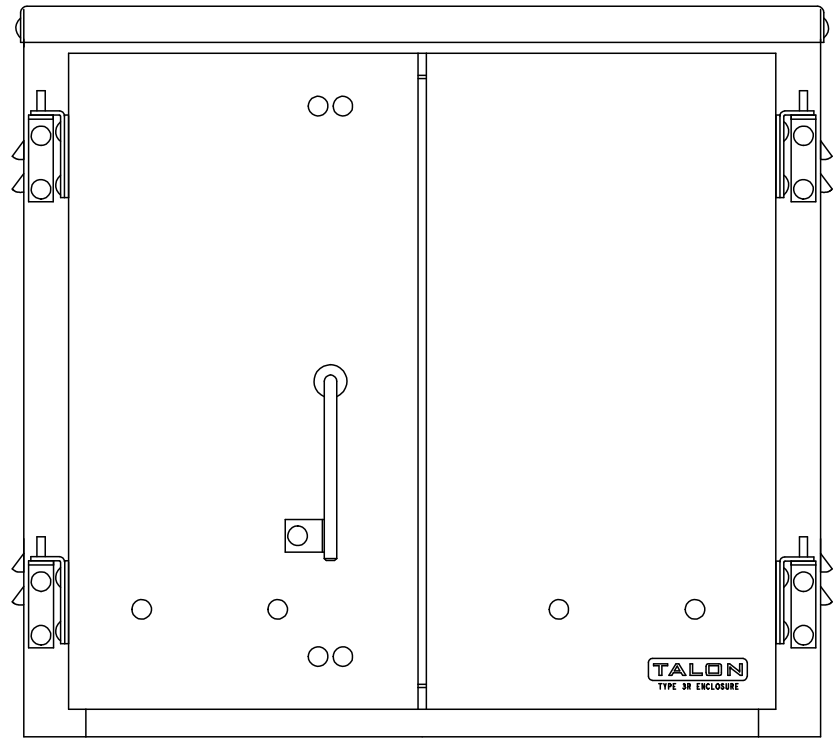
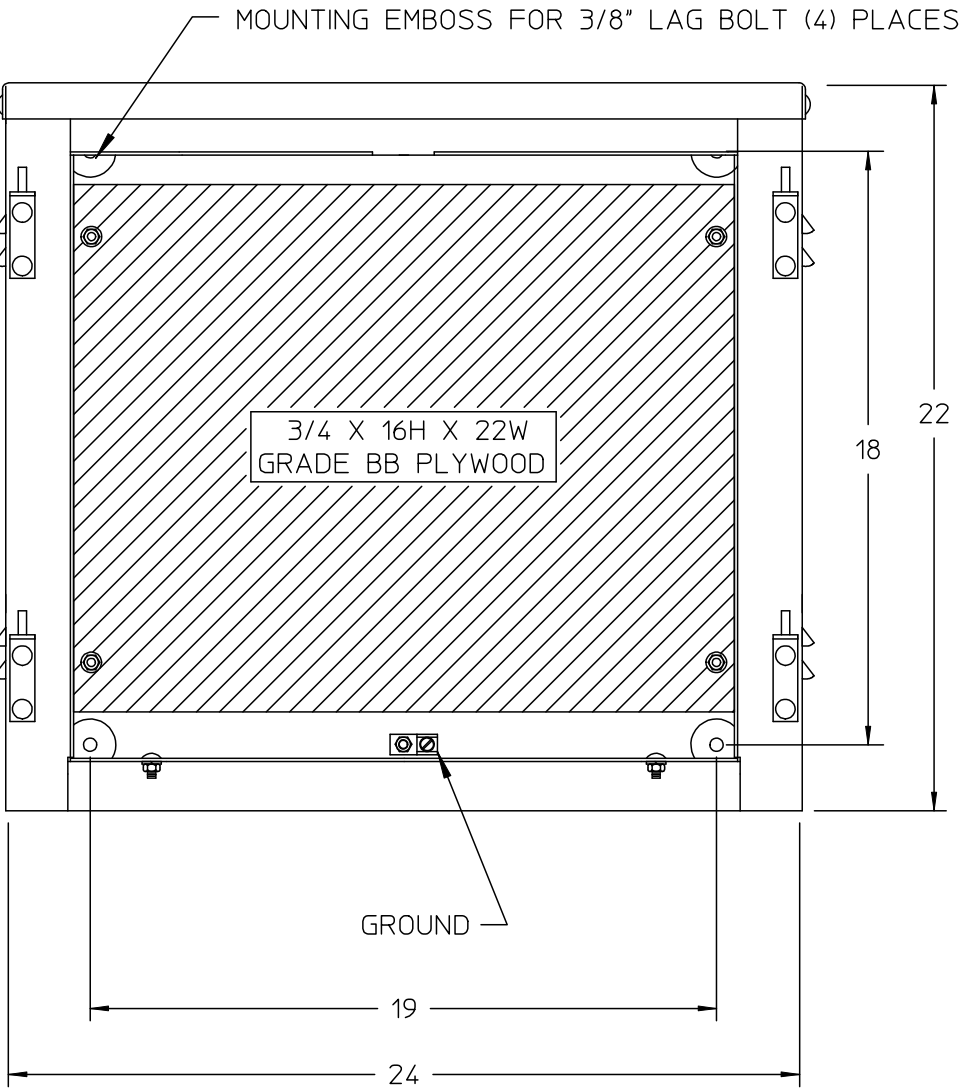
Catalog Number: LG142224CTA2

Features and Ratings

- Outdoor Enclosure (NEMA Type 3R)
- Natural finish 5052-H32 Aluminum
- For Underground Service

Connectors, Wire Sizes and Torques

CONNECTOR	WIRE SIZE	TORQUE
GROUND	#14 - 2/0 AWG	50 IN.-LBS.



- NOTES:
- 1) ALL HARDWARE AND HINGES ARE STAINLESS STEEL
 - 2) BOTH DOORS ARE EQUIPPED WITH MANUAL DOOR STOPS WHICH HOLD THE DOORS OPEN AT APPROXIMATELY 110° FROM THE CLOSED POSITION.
 - 3) 5-1/4 INCH LOUVERS WITH BAFFLES, (2) SETS ON LEFT AND RIGHT SIDE OF ENCLOSURE.

© 2015 Copyright Siemens Industry, Inc.

TALON		
Outdoor Current Transformer Enclosure		
Description:		
CT ENC 222414 DD PLYWD		
11/11/05 SCB	DO NOT SCALE DRAWING	Dwg No: LG142224CTA2