

VALVE PIPING PACKAGES

Half the cost, half the time,  
**fast and easy selection**

[usa.siemens.com/piping-packages](http://usa.siemens.com/piping-packages)

**SIEMENS**

# Reduce costs, time and labor in half with a pre-assembled piping package

Piping packages are a streamlined solution that reduces several connections throughout the piping system resulting in less chance for error, ease of installation for the installer and simplifies commissioning. Labor costs are also reduced, which makes product distribution at the job site easier and less expensive.

**The beginning of effortless piping installation starts here with a complete single source solution.**

The valves and actuators that are offered, come in the most popular standard pipe sizes from 1/2" - 2" ball, globe and pressure independent control valves that make piping packages the right solution for any project.

**The pre-assembled package includes:**

- A Siemens control valve
- Isolation valve
- Balancing valve (*ball and globe valve applications only*)
- Hose
- Air vent
- Strainer



Siemens offers a 5-year warranty on valves, actuators, damper actuators, sensors, thermostats and meters.

**Piping packages benefit everyone:**

#### Engineers

- HVAC system design time is drastically reduced.

#### Contractors

- Labor and material costs are lowered which increases efficiency.

#### Building Owners

- Savings in labor costs by eliminating the need to label and assemble components on site vs. receiving a package that's ready to go.

#### Resellers

- Easier to sell Siemens with a single source solution.

**Piping packages make it easy to connect your HVAC system piping to typical terminal applications such as:**

- VAV reheat
- Fan coil units
- Unit ventilator
- Cabinet unit heater
- Reheat coils
- Air handling units

## Benefits:



#### Ease of selection

- HVAC Integrated Tool (HIT) available with filters and calculators.



#### Save time and money

- Installation time is reduced with less time required for installing valves at the HVAC terminal units.
- A pre-assembled kit with fewer connections.



#### Greater durability

- Built to last with corrosion resistant brass components.
- Stainless steel flex hose.



#### Higher reliability

- All valves and actuators are tested right from the factory line.
- Rigorous lifecycle testing of up to 100K full strokes and up to 1 million repositions.

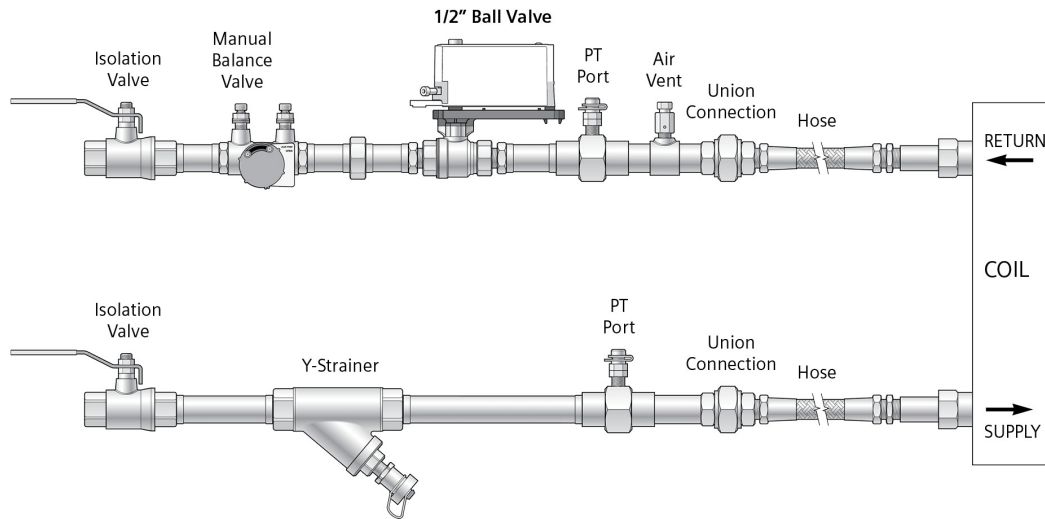
# Piping packages brings it all together in **less time, less effort** and **half the cost**

A pre-assembled package with fewer connections can save up to 2.3 hours or 56% of site labor\*

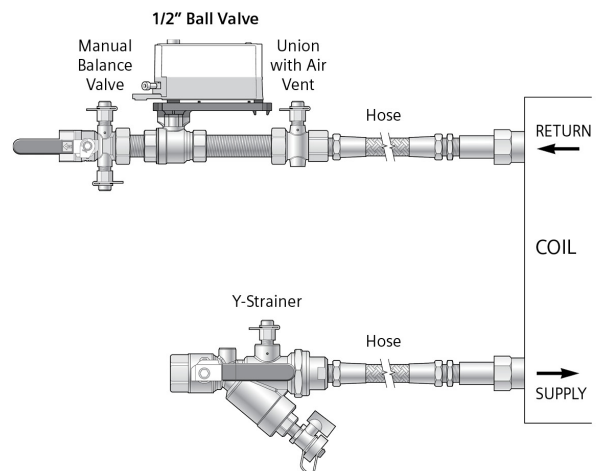
	In Field Coil Set Up		Estimated Savings
	Traditional (Threaded)	Piping Packages (Threaded)	Siemens Piping Packages
# of Loose Items	18	2	16 less loose components
# of Field Connections Needed	22	4	18 less connections to be made
Average Total Hours of Labor Needed*	3.83	1.7**	Up to 2.13 hours or 56% of site labor saved***

\* Labor Estimating Manual, 2002 Edition, Mechanical Contractors Association of America  
 \*\* Includes leak verification time  
 \*\*\* Based on data from U.S. Bureau of Labor Statistics using average Chicago, IL plumber rates of \$39.94, 2018

## Traditional



## Piping Packages



# Featured Siemens control valves

## Ball



**Delivers comprehensive control solutions.**

- Largest selection of valve trim
- Highest close-off in the industry
- Premium grade materials and construction
- Less leakage
- Higher reliability
- Certified by UL to UL 873 and cUL certified to CSA C22.2 No. 24-93

## Globe



**Offers a diverse range of products optimized for any application.**

- No dead bands, 100% controllability
- 100:1 rangeability for accurate flow control
- 100% factory tested
- Flowrite valves can be repacked using replacement cartridges without removing the valves from piping
- Actuator weather shields are available (NEMA 3R)
- Certified by UL to UL 873 and cUL certified to CSA C22.2 No. 24-93

## PICV



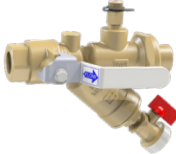
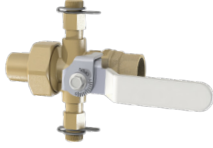



**An easier delta-T solution.**

- Improve system performance and optimize delta-T
- A three-in-one device with a field adjustable flow limiter independent of the valve stroke
- Simple on-site commissioning with easy max flow pre-setting and automatic balancing
- Less components, reduced installation efforts and fewer leak points leads to no callbacks
- Certified by UL to UL 873 and cUL certified to CSA C22.2 No. 24-93

# Featured components

Each piping package comes pre-assembled with the following components of your choice, making the selection and installation process fast and easy.

					
	Union Valve	Isolation Valve	Strainer Valve	Manual Balance Valve	Fire Rated Hoses
PSI/Temperature Rating	400°F	600 WOG 400 PSI/250°F	½" – 1½" 600 WOG 400 PSI/250°F  2" 400 WOG 275 PSI/250°F	600 WOG 400 PSI/250°F	—
Body Material	Forged Brass ASTM B283-06	Forged Brass ASTM B283-06	½" – 1½" Forged Brass ASTM B283-06  2" Cast Brass	Forged Brass ASTM B283-06	—
End Connections	Brass NPT	Brass NPT	Brass NPT	Brass NPT	Brass NPT
Port Size	¼" NPT	¼" NPT	¼" NPT	¼" NPT	—
Options	Combination P/T Test Valve and Manual Air Vent, Drain Valve	Combination P/T Test Valve and Manual Air Vent, Drain Valve	Combination P/T Test Valve and Manual Air Vent, Drain Valve	—	—
Strainer	—	—	20 Mesh Stainless Steel	—	—
Hose Material	—	—	—	—	EPDM polymer vulcanized by peroxide, wrapped with 304 stainless steel braid. EPDM polymer is fire retardant and meets requirements of UL 94 VO testing.
Available Lengths	—	—	—	—	24" hoses only available for sizes 1¼", 1½" and 2"

From start to finish – the process made easy

Selection

Delivery

Control valve installation

Coil hook up

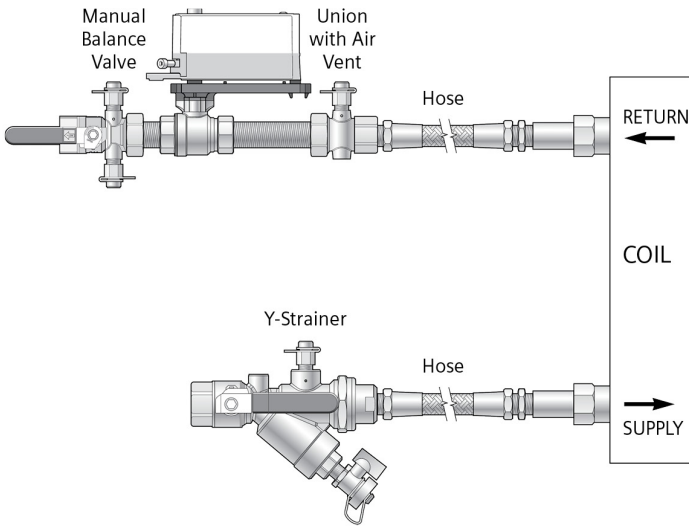
System leak test

Balance and commission

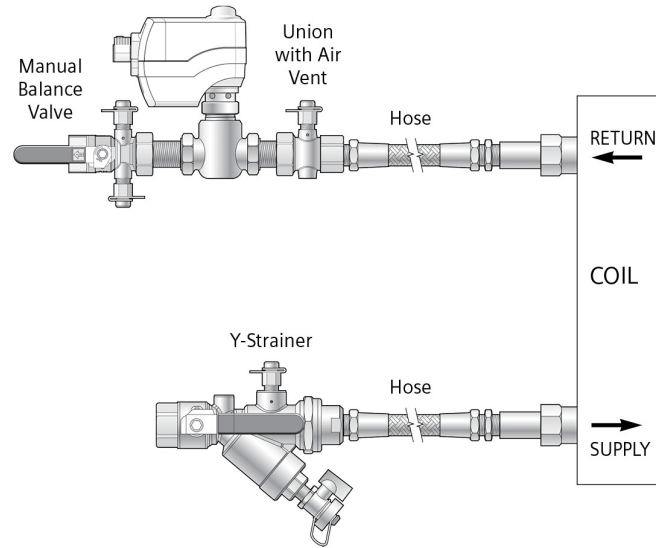


# 1/2" piping packages at a glance

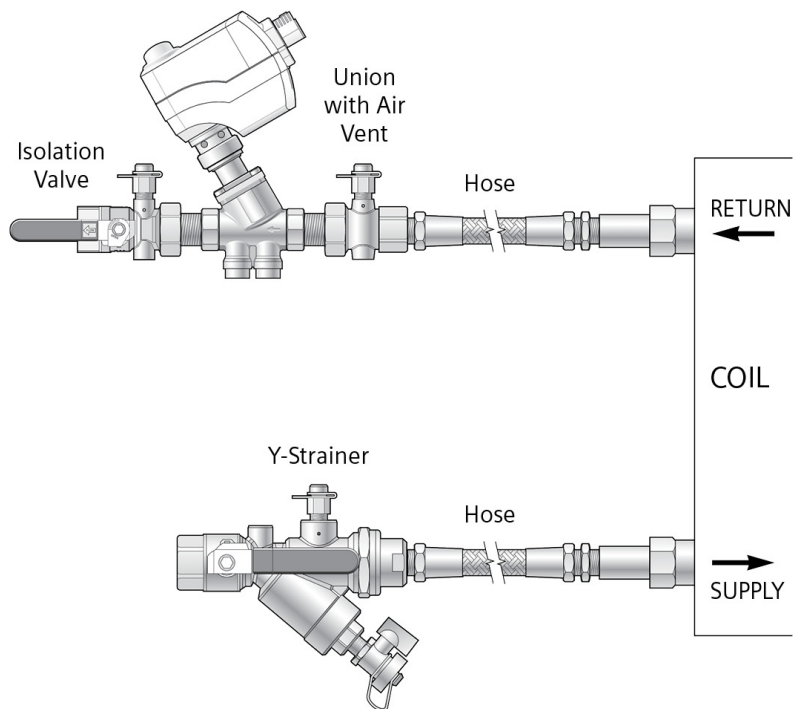
## 1/2" Ball Valve



## 1/2" Globe Valve

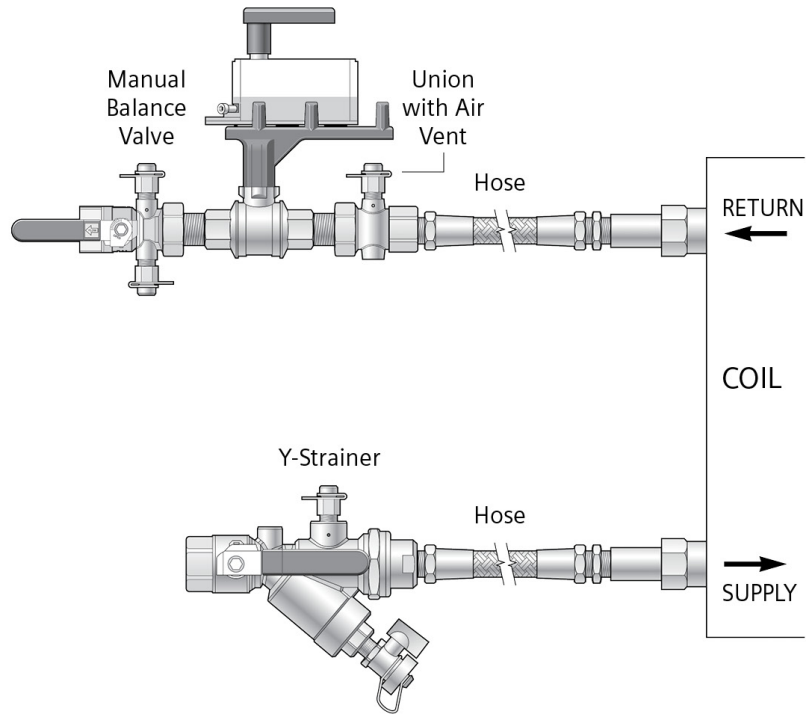


## 1/2" PICV

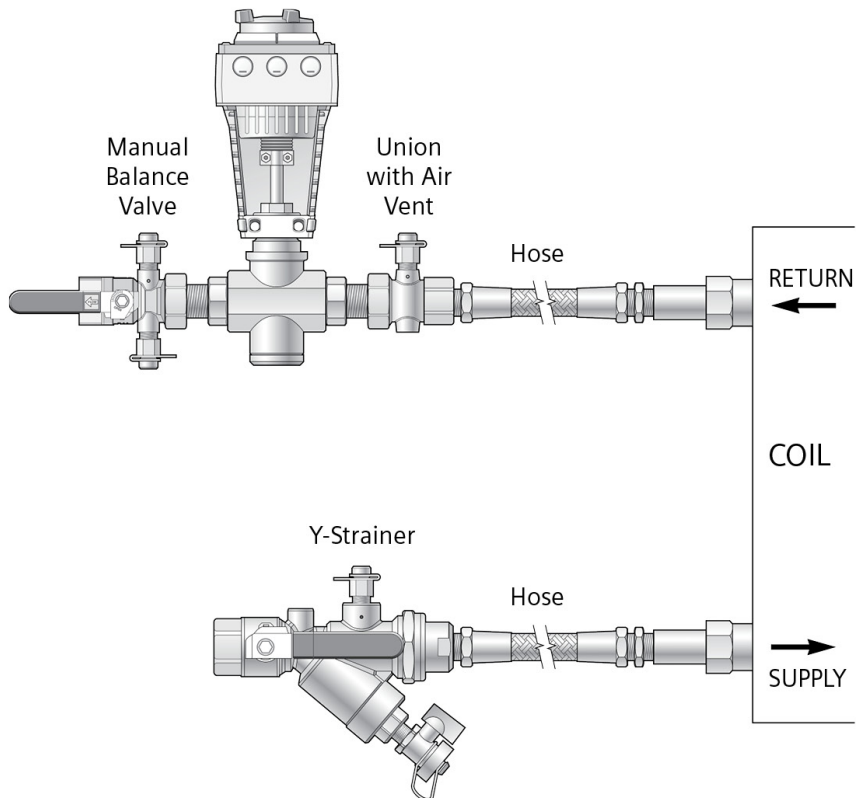


# 1" piping packages at a glance

## 1" Ball Valve



## 1" Globe Valve



# Example product selection table

Control valve assembly part number										Piping package part number							
1	7	1	A	1	0	3	0	0	S	-	A	2	A	A	A	A	X
Siemens Control Valve Assembly PN																	
Separator																	
Assembled Piping Packages																	
2-way																	
Strainer Size and Body End (NPT)																	
A = 1/2"					D = 1 1/4"												
B = 3/4"					E = 1 1/2"												
C = 1"					F = 2"												
Union Size and Body End (NPT)																	
A = 1/2"					O = 1 1/4" to 1"												
B = 3/4"					P = 1 1/2" to 1 1/4"												
C = 1"					Q = 2" to 1 1/2"												
D = 1 1/4"					V = 1" to 1/2"												
E = 1 1/2"					W = 1 1/4" to 3/4"												
F = 2"					X = 1 1/2" to 1"												
M = 3/4" to 1/2"					Y = 2" to 1 1/4"												
N = 1" to 3/4"																	
Manual Balance Valve (NPT)																	
AA = 1/2", 0.39 Cv					BE = 1/2", 0.9 Cv					DA = 1 1/4", 10 Cv							
AB = 1/2", 1.1 Cv					BF = 1/2", 1.9 Cv					DB = 1 1/4", 21.8 Cv							
AC = 1/2", 2.5 Cv					BG = 1/2", 3.9 Cv					EA = 1 1/2", 22.1 Cv							
AD = 1/2", 4.2 Cv					BH = 1/2", 7.0 Cv					EB = 1 1/2", 54.7 Cv							
BA = 3/4", 0.39 Cv					CA = 1", 1.8 Cv					FA = 2", 65.2 Cv							
BB = 3/4", 1.1 Cv					CB = 1", 3.8 Cv					FB = 2", 105.2 Cv							
BC = 3/4", 2.5 Cv					CC = 1", 7.6 Cv					This field is blank for PICV							
BD = 3/4", 4.2 Cv					CD = 1", 12.2 Cv												
Hoses – Diameter and Length (MNPT)																	
X = No Hoses					F = 1", 18"												
A = 1/2", 12"					G = 1 1/4", 18"												
B = 1/2", 18"					H = 1 1/4", 24"												
C = 3/4", 12"					I = 1 1/2", 18"												
D = 3/4", 18"					J = 1 1/2", 24"												
E = 1", 12"					K = 2", 24"												



# Faster and easier selection using HIT- HVAC Integrated Tool

HIT is an intuitive online selection tool with enhanced filters and calculators that make it faster and easier to select the right piping package for your projects. A simplified selection process with built-in logic eliminates the need to select individual components reducing typical pre-work time. HIT is continuously updated with the latest products and pricing for accurate planning and budgeting.

**Selection** – Filters and calculators help you properly size and select the right control valve and piping package combinations for your application. After selecting the control valve size the available piping package combinations will ensure that the control valve still has authority over the flow going through the coil.

**Replacement** – The replacement guide helps you quickly find current Siemens products for other brands and discontinued parts.

**Projects** – Quickly create project schedules and gather submittal documents for faster bidding to help you win more business.

**Ordering** – Built-in shopping cart connects to Siemens iMall for faster ordering.

**Get started >**



## Built-in logic sets new standards for selection

- ✓ Filters display search results for available piping package assemblies
- ✓ Select valve parameters, the valve and actuator assembly, package and hose options
- ✓ One orderable part number for each piping package assembly
- ✓ Download, view technical specifications, list price information and warranty details
- ✓ Add to shopping cart, an existing project or to favorites



## Half the cost, half the time, fast and easy selection.

Piping packages are engineered to be an efficient pre-assembled piping system that minimizes costs, time and labor in half. Piping packages make installation effortless by reducing connections which provides less chance for error.

Selection is fast and easy utilizing HIT with filters and calculators that quickly selects the right piping package for your application.

At Siemens, we pride ourselves in designing a winning single source combination of quality, performance, efficiency and value to exceed expectations at install and beyond.



**75+ Years**  
Innovating control  
valves and actuators



**Fast and Easy**  
Product selection



**Less Effort**  
Less installation effort,  
and no callbacks



**Greater Savings**  
Half the cost,  
half the time

Siemens Industry, Inc.  
Smart Infrastructure  
1000 Deerfield Parkway  
Buffalo Grove, IL 60089-4513  
Tel. 847-215-1000

© 2022 Siemens Industry, Inc.  
(01/22 Part #153-SBT-2724)