

LANDIS & GYR CATALOG NO: MM0303L3200EY
 FEED: TOP ONLY
 BREAKER LOCATION: BOTTOM SECTION

TYPE 3R ENCLOSURE (RAINPROOF).

SUITABLE FOR USE AS SERVICE EQUIPMENT WHEN NOT MORE THAN SIX MAIN DISCONNECTING MEANS ARE PROVIDED. WHEN USED AS SERVICE EQUIPMENT, BOND NEUTRAL BY SECURING COPPER STRAP TO NEUTRAL WITH SCREW SUPPLIED, AND APPLY "SERVICE DISCONNECT" LABEL NEAR THE DISCONNECT HANDLE.

DEVICE RATING: 200 AMPS MAXIMUM, 208Y/120 VAC OR 240/120 VAC DELTA *, THREE PHASE, FOUR WIRE.
 METER SOCKET RATING: 200 AMPS CONTINUOUS.

* CONNECT HIGH LEG (208Y TO GROUND) TO LINE TERMINAL OF THE RIGHT HAND TEST BLOCK.

THIS DEVICE HAS A MAXIMUM SHORT CIRCUIT CURRENT RATING OF 35,000 RMS SYMMETRICAL AMPERES AT 240 VAC MAXIMUM. (Watt-Hour meter not included in short circuit current rating). ANY CIRCUIT BREAKER INSTALLED, REPLACED OR ADDED IN THIS PANELBOARD MUST BE MANUFACTURED BY SIEMENS AND MUST BE OF THE CORRECT TYPE AS INDICATED IN THE TABULATION BELOW.

MAX short circuit current rating in RMS symmetrical Amperes	MAIN
	When protected by a field installed 3 pole circuit breaker Type
35,000	Murray MQL or Siemens QJ2H
22,000	Murray MQH or Siemens QJH2
10,000	Murray MQ or Siemens QJ2

BREAKER RATING MUST BE GREATER THAN OR EQUAL TO THE DEVICE SHORT CIRCUIT CURRENT RATING.

FOR BREAKERS WITH TRIPPED POSITION IN CENTER, RESET BREAKER BY MOVING HANDLE TO "OFF" AND THEN TO "ON".

FOR EQUIPMENT GROUND BAR ORDER ECLX SERIES, IF HUB IS REQUIRED SELECT FROM "HC" LIST BELOW, OR USE ECHCRXA ADAPTER WITH HUBS SELECTED FROM RX LIST BELOW.

HC TYPE HUBS		RX TYPE HUBS	
SIZE	CAT. NO.	SIZE	CAT. NO.
2"	ECHC200	1-1/2"	EC38598
2-1/2"	ECHC250	2"	EC38599
3"	ECHC300	2-1/2"	EC38600

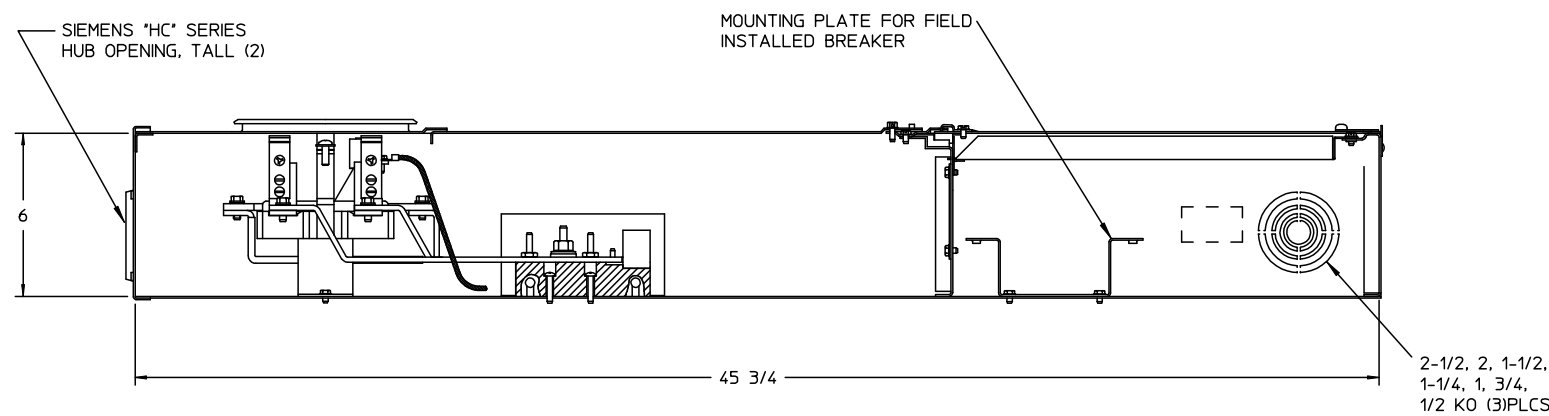
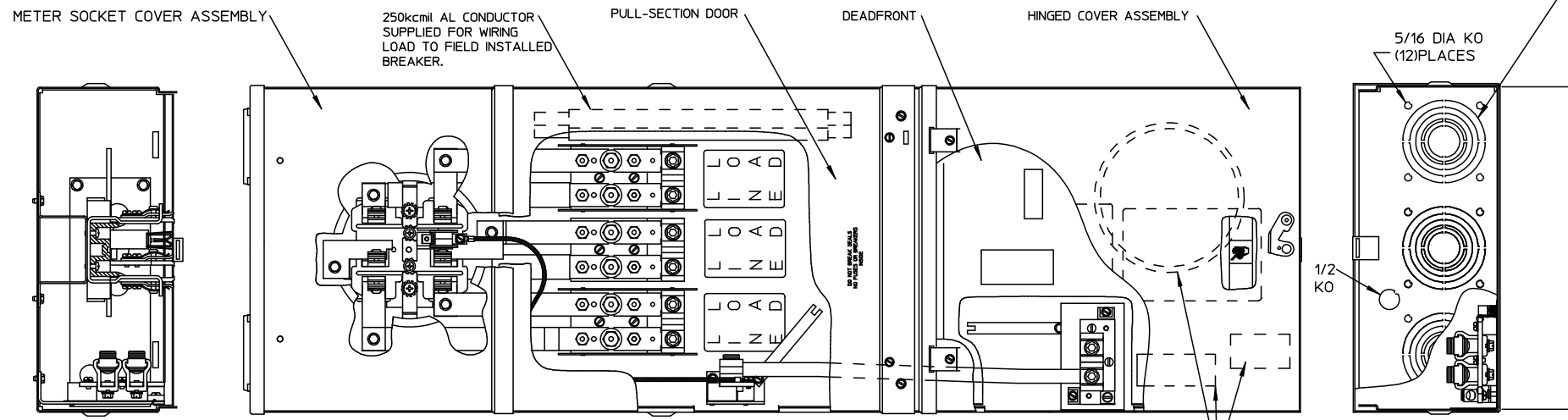
TERMINALS SUITABLE FOR USE WITH 60/75°C, AL/CU INSULATED WIRE.

WIRE SIZE, kcmil OR AWG	PHASE, LINE LOAD & NEUTRAL	SERVICE GROUND	EQUIPMENT GROUND	
			LARGE HOLE	SMALL HOLE
250 - 6	250	---	---	---
1/0 - 3	---	50	45	---
4	---	45	45	---
6	---	45	45	35
8	---	40	40	25
10 - 14	---	35	35	20

TORQUE TEST BLOCK CIRCUIT CLOSING (DISCONNECT) NUT (5/8" ACROSS FLATS) TO 50 LB-IN.

NOTES:

- 1) FINISH: GRAY
- 2) CABINET: 16 GA GALV STEEL
- 3) 200 AMP, 120/240 VAC, 3 PHASE, 4 WIRE
- 4) SEALING RING, HUB COVER PLATE ASY & NEMA INSTRUCTION SHEET PLACED INSIDE OF BOX BEFORE DEADFRONT IS SECURED.
- 5) UL LISTED - FILE #E27485.
- 6) MEETS EUSERC DRAWING NO. 305A



UNLESS OTHERWISE SPECIFIED DIMENSIONS ARE IN INCHES TOLERANCES: .XX .XXX HOLE DIAMETER ANGULAR UNDIMENSIONED 90° ANGLES	-CONFIDENTIAL-PROPERTY OF Siemens Energy & Automation, Inc. Residential Products Division	
	SKT 200A 1P HO EUSERC	
DWN CJD DATE 5-8-07	SIZE C	ISSUE RELEASE NO. DWG NO. MM0303L3200EY
CHK DATE	SCALE	DO NOT SCALE DRAWING SHEET 1 OF 1