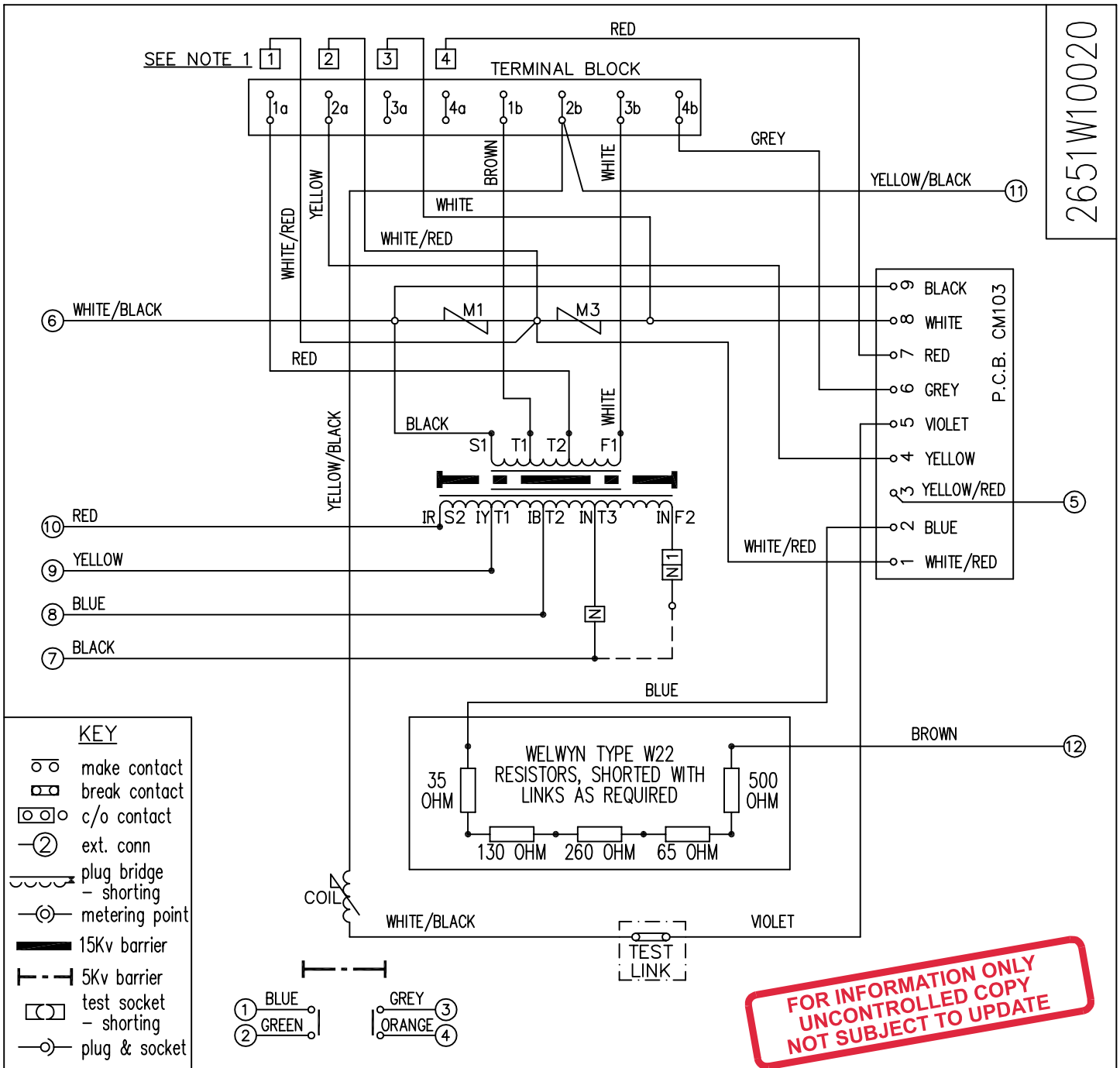


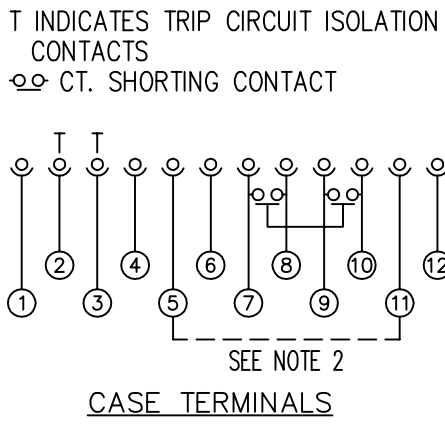
2651W10020



**KEY**

- make contact
- break contact
- c/o contact
- ext. conn
- plug bridge - shorting
- metering point
- 15Kv barrier
- 5Kv barrier
- test socket - shorting
- plug & socket

FOR INFORMATION ONLY  
UNCONTROLLED COPY  
NOT SUBJECT TO UPDATE



**NOTE:**

- LEADS [1] TO [4] INCLUSIVE TO BE CONNECTED TO TERMINALS 1a TO 4a FOR SOLKOR 'R' OPERATION OR 1b TO 4b FOR SOLKOR 'Rf' OPERATION.
- CASE TERMINALS 5 AND 11 TO BE LINKED ONLY WHEN RELAY IS IN SOLKOR 'R' MODE.
- FOR SCHEMATIC DIAGRAM OF SOLKOR 'R' SEE 2651W10133. FOR SCHEMATIC DIAGRAM OF SOLKOR 'Rf' SEE 2651W10010.

Copyright © 2003 VATECH REYROLLE ACP Ltd. Hebburn

Title: WIRING DIAG. FOR SOLKOR R/Rf RELAY - 2M CONTACT IN 1P VEDETTE CASE.			First used on:	
3 RDW MN651/2749			Similar Articles:	
22/11/05			Supersedes:	
REDRAWN ON CAD WITHOUT MODS. MN651/2557			Drg.No.	
7/7/03			2651W10020	
ISSUE DATE MOD.No.			Original Scale:	
DRAWN: RDW			. /	
CHECKED: RDW		APPROVED: R.D.WATSON		OPS:
DATE: 7/703		IE:		