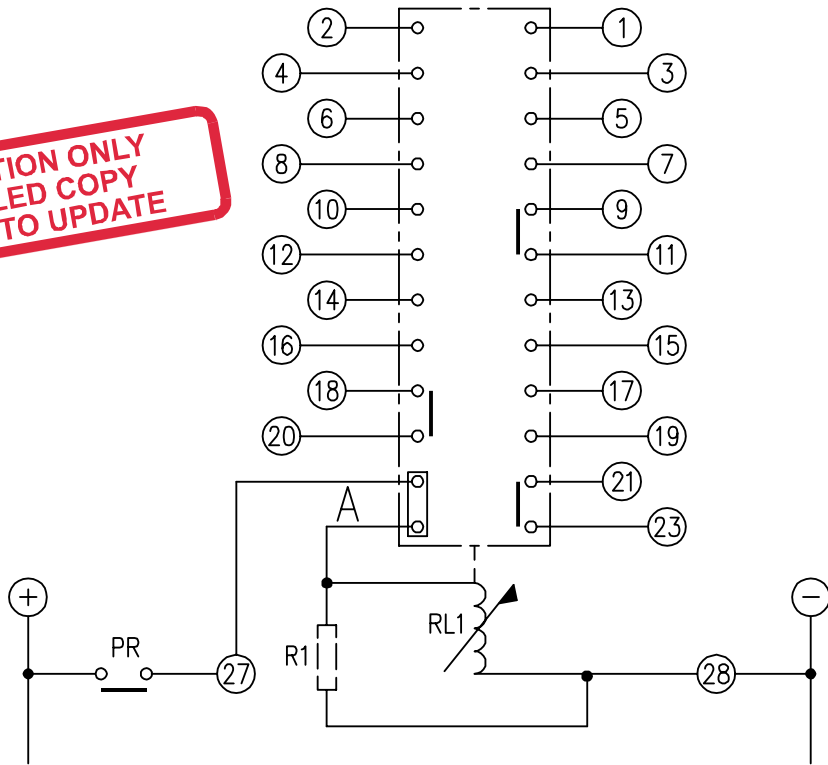


LOOKING ON FRONT OF RELAY

2112W50012

**FOR INFORMATION ONLY
UNCONTROLLED COPY
NOT SUBJECT TO UPDATE**



**PRINTED ON 10/01/2006
ENSURE CORRECT REVISION
DESTROY AFTER USE**

KEY	220&240	1x470R 2102C45471
⊖ ⊖	125	2x100R in series 2102C41101
⊖ ⊖	50	1x390R 2102C35391
⊖ ⊖	30	NIL
⊖ ⊖	24	NIL
⊖ ⊖ ⊖	VDC	R1

CONTACT CONFIG.	OUTPUT CONTACT PAIR / TERMINAL No.											
	1-3	2-4	5-7	6-8	9-11	10-12	13-15	14-16	17-19	18-20	21-23	
11M	M	M	M	M	M	M	M	M	M	M	M	
10M 1B	M	B	M	M	M	M	M	M	M	M	M	
9M 2B	B	B	M	M	M	M	M	M	M	M	M	
8M 3B	B	B	M	B	M	M	M	M	M	M	M	
7M 4B	B	B	B	B	M	M	M	M	M	M	M	
6M 5B	B	B	B	B	M	B	M	M	M	M	M	
5M 6B	B	B	M	B	M	M	B	B	B	M	M	
4M 7B	B	B	B	B	M	M	B	B	B	M	M	
3M 8B	B	B	B	B	M	B	B	B	B	M	M	

NOTE:
1. CONTACT CONFIGURATION ABOVE IS REQUIRED FOR RELAY OPERATION. FOR DETAILS OF VARIABLE CONTACT OPTIONS SEE TABLE OPPOSITE.
2. RESISTOR R1 IS FITTED ONLY WHEN REQUIRED.

FRAME REFERENCE: E2FAQM.
FRAME TERMINAL BLOCK ASSY: -
ASSEMBLY INSTRUCTIONS: -
TYPICAL ASSEMBLY DRAWING 2995G10032.
AT INDICATED POSITIONS FIT AS FOLLOWS:
T - FIT TRIP ISOLATION CONTACT 2995B10053
S - FIT STANDARD CONTACT 2995B10054
SECURE CONTACTS USING FIXING SCREW 2109F99009.
POSITIONS SHOWN BLANK ARE UNUSED

2	T	T	1
4	T	T	3
6	T	T	5
8	T	T	7
10	T	T	9
12	T	T	11
14	T	T	13
16	T	T	15
18	T	T	17
20	T	T	19
22		T	21
24		T	23
26			25
28	S	S	27

VIEW FROM NUMBERED SIDE OF BLOCK

OUTER TERMINAL BLOCK ASSY: -
ASSEMBLY INSTRUCTIONS: -
TYPICAL ASSEMBLY DRAWING 2995G10029.
AT INDICATED POSITIONS FIT AS FOLLOWS:
S - FIT STANDARD CONTACT 2995B10051
HC - FIT 'HEAVY CURRENT' KIT 2995G10030
WHERE ⊖ ⊖ ⊖ IS SHOWN FIT CT SHORTING KIT 2995G10031
POSITIONS SHOWN BLANK ARE UNUSED.
ALL POSITIONS FIT SCREW 2106F12506.

2	S	S	1
4	S	S	3
6	S	S	5
8	S	S	7
10	S	S	9
12	S	S	11
14	S	S	13
16	S	S	15
18	S	S	17
20	S	S	19
22		S	21
24		S	23
26			25
28	S	S	27

VIEW FROM INSIDE FACE

Title: T.B. AND WIRING DIAG. FOR TR221-11 RELAYS IN EPSILON E2 CASE.			First used on:		
Similar Articles:			Supersedes:		
Drg.No. 2112W50012			Original Scale:		
DRAWN: A.LAW.			CHECKED:		
APPROVED: R.D.WATSON			DATE: 16/07/02		
Copyright © 1998			Reyrolle Ltd.		