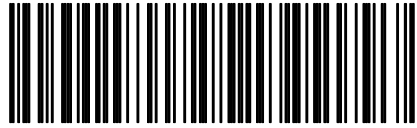


REVISION	DATE	BY	DATE	BY
			15/11/09	JW
			CHEK'D	
1 ADDED ENCL BOTTOM DRAWING	17/04/03	JW	VERIF'D	

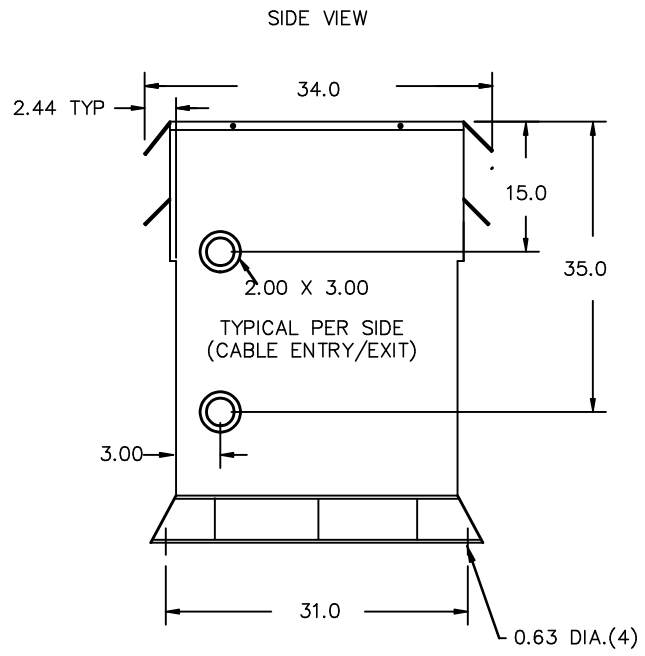
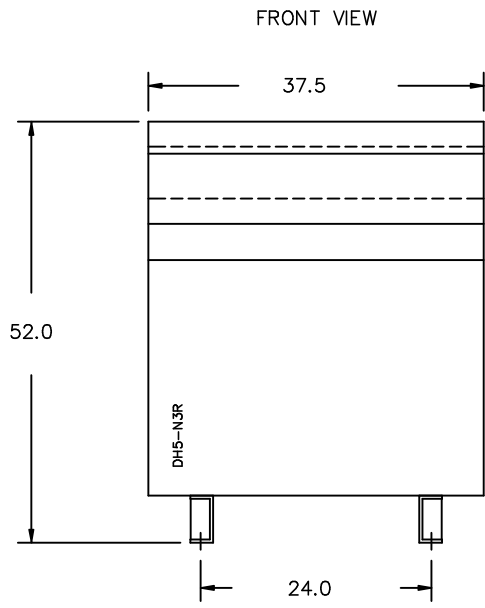
CUSTOMER		
ORDER NO.	DWG. NO.	1
	3B5Y150BD16	SH 1 OF 3

SIEMENS

CATALOG NO. 3B5Y150BD16 SERIAL NO. SERIES H 150 kVA 60 Hz 3 PHASE 3.5 % IMP AT 100 °C		<p>VOLTS 218 208 198</p> <p>CONNECT 1 2 3</p>	
80 °C RISE	30 °C AVG. AMBIENT		
220 °C TEMP CLASS	40 °C MAX. AMBIENT		
PRIMARY (X1 X2 X3)	208V V 10 kV BIL		
SECONDARY(H0 H1 H2 H3)	480Y/277V V 10 kV BIL		
WINDING MATERIAL AL			
ENCLOSURE TYPE 3R		WEIGHT 1400 LBS	
ENERGY EFFICIENCY EXCEEDS CSA C802.2-2012 DOE 10 CFR PART 431:2016			
SPACINGS BETWEEN ANY VENTILATED ENCLOSURE PANEL AND ANY ADJACENT WALL SHALL BE A MINIMUM OF 5 INCHES EXCEPT WHEN WALL MOUNTED USING APPROVED WALL MOUNTING KIT TRANSFORMER SUITABLE FOR STEP UP OPERATION ONLY			
TYPE K UL LISTED DRY TYPE TRANSFORMER E112313 SEISMIC QUALIFICATIONS, FLOOR MOUNT ONLY OSP-0136-10 IBC 2012/ASCE 7-10 SDS<=2.0g Z/h=1 Ip=1.5			
NEMA Class ANN Dry Type Transformer		Siemens Industry, Inc. Norcross, GA dsu0086e1	
SUITABLE FOR INDOOR OR OUTDOOR LOCATIONS BEFORE HANDLING, INSTALLING AND OPERATING, SEE INSTRUCTION MANUAL			



3B5Y150BD16



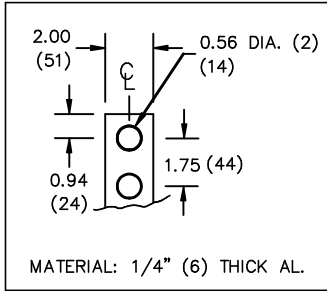
All Dimensions in inches

ENCLOSURE COLOR :ANSI 61 GREY – OUTDOOR

H.V.1. TERMINAL DETAIL

L.V.1. TERMINAL DETAIL

MECHANICAL TYPE LUGS INCLUDED
SUITABLE FOR 600MCM-2 CU/AL
CONDUCTORS
1 CONDUCTOR PER PHASE



CUSTOMER NOTES:

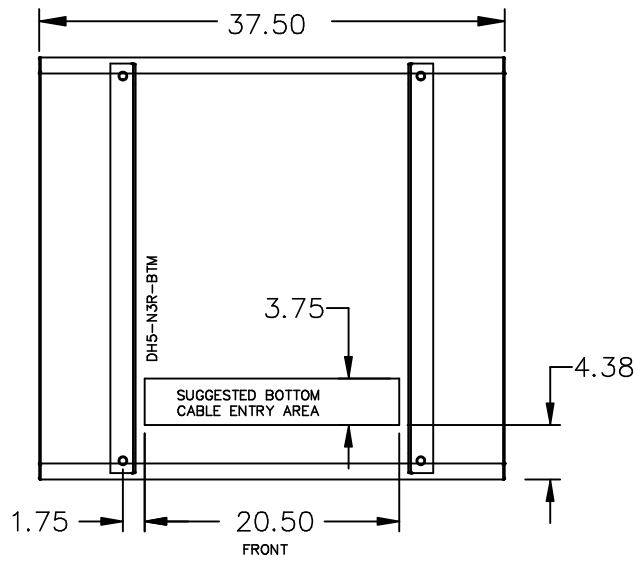
- HV1 TERMINATED AT BOTTOM FRONT
- LV1 TERMINATED AT TOP FRONT

Siemens Industry, Inc.

REVISION	DATE	BY	DATE	BY	CUSTOMER
			15/11/09	JW	
					ORDER NO.
1 ADDED ENCL BOTTOM DRAWING	17/04/03	JW	VERIF'D		DWG. NO. 3B5Y150BD16
					1 SH 2 OF 3

1.1 jwen 2017/07/17 13:12

ENCLOSURE BOTTOM VIEW



NOTE:
 WHEN BOTTOM CABLE ENTRY IS OPTED, THE SPACE USED FOR CONDUITS IN THE FRONT OF THE TRANSFORMER SHOULD NOT OBSTRUCT MORE THAN 50% OF THE FRONT AIR INTAKE AREA DEFINED BETWEEN THE BOTTOM PLATE AND THE SUPPORTING LEGS. SEE MANUAL FOR ADDITIONAL INFORMATION

Siemens Industry, Inc.

REVISION	DATE	BY	DATE	BY	CUSTOMER		
			15/11/09	JW			
			CHEK'D				
1	ADDED ENCL BOTTOM DRAWING	17/04/03	JW	VERIF'D			
					ORDER NO.	DWG. NO.	1
					3B5Y150BD16		SH 3 OF 3