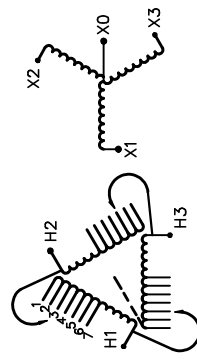


REVISION	DATE	BY	DATE	BY
		DRAWN	18/03/21	PP
		CHEK'D		
		VERIF'D		

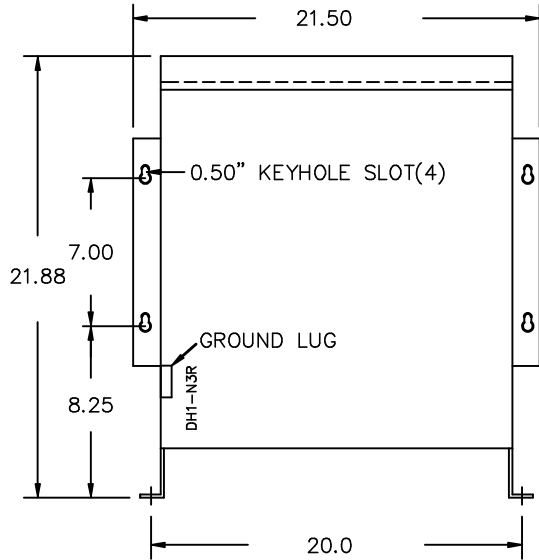
CUSTOMER	
ORDER NO.	DWG. NO.
	3F3Y015K13BCD16 SH 1 OF 3

SIEMENS

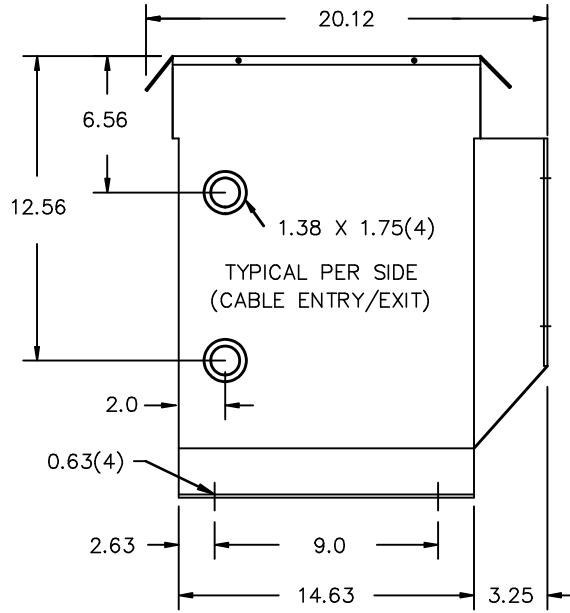
<p>CATALOG NO. 3F3Y015K13BCD16 SERIAL NO. SERIES H 15 kVA 60 Hz 3 PHASE 2.7 % IMP AT 100 °C</p> <p>80 °C RISE 30 °C AVG. AMBIENT 220 °C TEMP CLASS 40 °C MAX. AMBIENT</p> <p>PRIMARY (H1 H2 H3) 480V V 10 kV BIL SECONDARY(X0 X1 X2 X3) 208Y/120V V 10 kV BIL</p> <p>WINDING MATERIAL CU</p> <p>ENCLOSURE TYPE 3R WEIGHT 240 LBS</p> <p>ENERGY EFFICIENCY EXCEEDS CSA D0E 10 CFR PART 431:2016 C802.2-2012</p> <p>SPACINGS BETWEEN ANY VENTILATED ENCLOSURE PANEL AND ANY ADJACENT WALL SHALL BE A MINIMUM OF 3 INCHES ELECTROSTATIC SHIELD</p>	 <p>VOLTS CONNECT</p> <table border="1"> <tr><td>1</td><td>2</td><td>3</td><td>4</td><td>5</td><td>6</td><td>7</td></tr> </table> <p>TYPE K</p> <p>UL LISTED DRY TYPE TRANSFORMER E112313</p> <p>LR 3902</p> <p>SEISMIC QUALIFICATIONS, FLOOR MOUNT ONLY OSP-0136-10 IBC 2012/ASCE 7-10 SDS<=2.0g Z/h=1 Ip=1.5</p>	1	2	3	4	5	6	7
1	2	3	4	5	6	7		



FRONT VIEW



SIDE VIEW



All Dimensions in inches

ENCLOSURE COLOR : ANSI-61 GREY PAINT OUTDOOR

HV TERMINAL DETAIL

LV TERMINAL DETAIL

XO TERMINAL DETAIL

MECHANICAL TYPE LUGS INCLUDED
SUITABLE FOR #14-2 CU/AL
CONDUCTORS
1 CONDUCTOR PER PHASE

MECHANICAL TYPE LUGS INCLUDED
SUITABLE FOR #14-2 CU/AL
CONDUCTORS
1 CONDUCTOR PER PHASE

MECHANICAL TYPE LUGS INCLUDED
SUITABLE FOR #2/0-14 CU/AL
CONDUCTORS
1 CONDUCTOR PER PHASE

CUSTOMER NOTES:

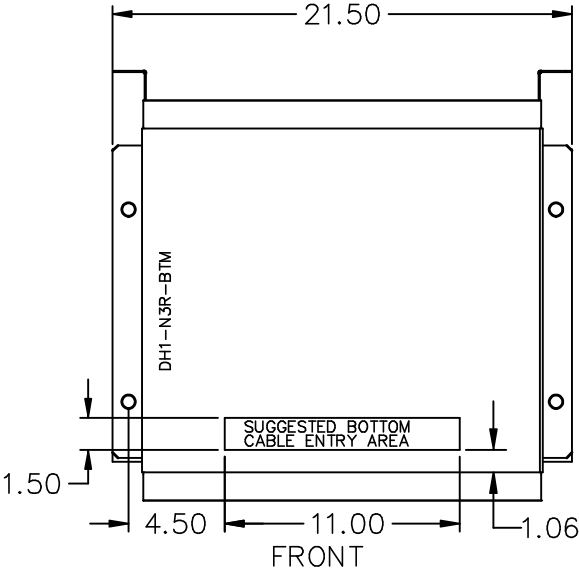
- HV TERMINATED AT TOP FRONT
- LV TERMINATED AT BOTTOM FRONT
- XO TERMINATED AT BOTTOM FRONT
- 200% RATED NEUTRAL PROVIDED

Siemens Industry, Inc.

REVISION	DATE	BY	DATE	BY
		DRAWN	18/03/21	PP
		CHEK'D		
		VERIF'D		

CUSTOMER	
ORDER NO.	DWG. NO.
	3F3Y015K13BCD16 SH 2 OF 3

ENCLOSURE BOTTOM VIEW



NOTE:
 WHEN BOTTOM CABLE ENTRY IS OPTED, THE SPACE USED FOR CONDUITS IN THE FRONT OF THE TRANSFORMER SHOULD NOT OBSTRUCT MORE THAN 50% OF THE FRONT AIR INTAKE AREA DEFINED BETWEEN THE BOTTOM PLATE AND THE SUPPORTING LEGS.
 SEE MANUAL FOR ADDITIONAL INFORMATION

Siemens Industry, Inc.

REVISION	DATE	BY	DATE	BY
		DRAWN	18/03/21	PP
		CHEK'D		
		VERIF'D		

CUSTOMER	
ORDER NO.	DWG. NO. 3F3Y015K13BCD16
SH 3 OF 3	