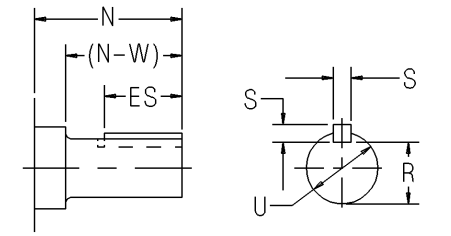
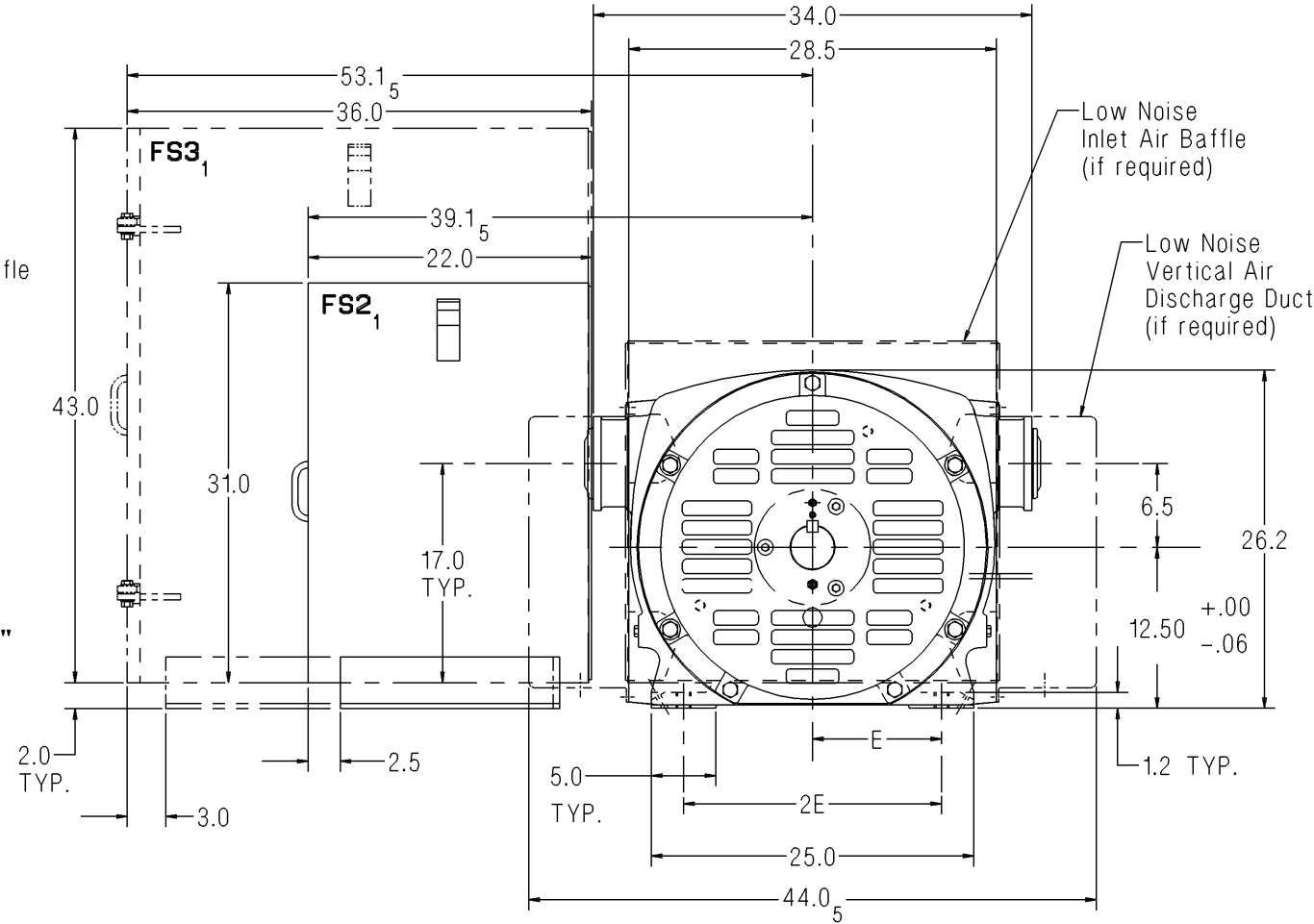
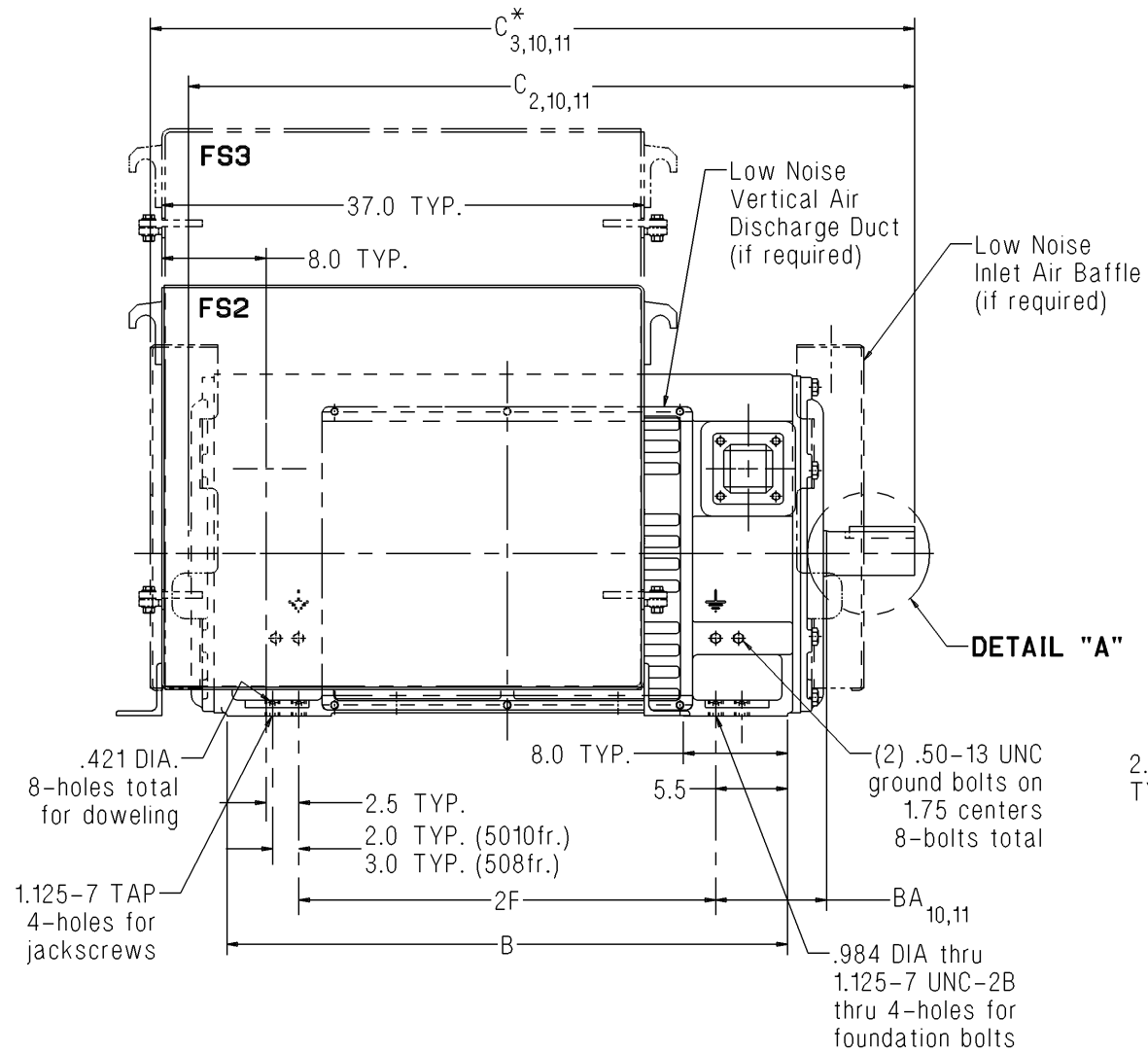
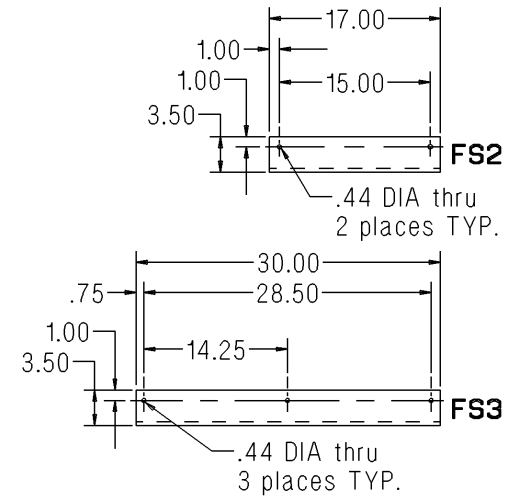


Dimension Prints for Above NEMA Motors



DETAIL "A"



BOX FEET DIMENSIONS

- Notes:**
1. Main conduit box is free standing and must be supported from below by customer. A removable bottom plate is supplied on the FS2 and FS3 conduit boxes.
 2. C = Length of motor from drive end of shaft to end of non-drive end of motor.
 3. C* = Length of motor from drive end of shaft to edge of low noise inlet air baffle.
 4. V = (N-W)-0.25" = length of shaft available for coupling.
 5. Adding a low noise vertical air discharge duct requires a 6.0" spacer for the FS2 and FS3 conduit boxes. All associated conduit box dimensions will change accordingly.
 6. 2 Pole machines may rotate in one direction only.
 7. Shims may be necessary under motor feet for direct connection.
 8. Short shaft is for direct connection. Long shaft may be either belt drive or direct connection depending upon the bearing installed in the motor.
 9. Adding a rotating labyrinth seal to the drive end does not change any dimensions.
 10. Adding a ground brush increases BA, C, and C* by:
2 Pole: 2.50" 4 Pole & Slower: 2.50" Long Shaft 4 Pole & Slower: 2.50"
 11. Adding a ground brush with rotating labyrinth seal increases BA, C, and C* by:
2 Pole: 2.50" 4 Pole & Slower: 2.50" Long Shaft 4 Pole & Slower: 2.50"

Standard Dimensions in Inches

Shaft	Frame	Speed	B	BA _{10,11}	C _{2,10,11}	C* _{3,10,11}	E	2F	N	(N-W)	R	S	U	V ₄	ES	Approx. Ship Wt. (Lbs)
Short	508S	2 Pole	36.0	8.50	47.2	50.1	10.00	25.0	5.50	5.25	2.275	0.625	2.625	5.00	3.5	3700
Short	508S	4 Pole & Slower	36.0	8.50	48.7	51.6	10.00	25.0	7.00	6.75	2.880	0.875	3.375	6.50	5.0	4000
Short	5010S	2 Pole	43.0	8.50	54.2	57.1	10.00	32.0	5.50	5.25	2.275	0.625	2.625	5.00	3.5	4600
Short	5010S	4 Pole & Slower	43.0	8.50	55.7	58.6	10.00	32.0	7.00	6.75	2.880	0.875	3.375	6.50	5.0	4800
Long	508	4 Pole & Slower	36.0	8.50	51.4	54.3	10.00	25.0	9.75	9.50	3.436	1.000	4.000	9.25	8.0	4000
Long	5010	4 Pole & Slower	43.0	8.50	58.4	61.3	10.00	32.0	9.75	9.50	3.436	1.000	4.000	9.25	8.0	4800

Certification: Customer _____ P.O. _____ S.O. _____ Item _____
 HP _____ RPM _____ Frame _____ PH/Hz/Volts 3/_____/_____
 By _____ Date _____ Terminal Box Size FS2 FS3
 Comments _____
 Not for construction, installation or application purposes unless certified.