

Heavy Duty Safety Switch with Crouse-Hinds Interlocked Receptacle

Type VBII, 30 Amp, Type 12 Industrial & Type 4/4X Stainless Steel

Standards and Ratings

- UL Listed under file #E4776
- Meets UL98 for switches and UL 50 for enclosures
- Meets NEMA Standard KS-1 for enclosed switches
- Meets NEC wire bending space requirements
- Rated 10,000 AIC with Class H fuses or 200,000 AIC with Class R and J fuses
- I²t rated (Amps² x Seconds = 50,000)
- 12X overload current rating exceeds 10X industry standard

Features

- Quick-make and break switching action

- Double break visible blade design
- Highly visible ON/OFF indication
- Rugged installer friendly enclosure design
- Modular design allows quick and easy replacement of parts
- Front removable lugs which can easily be converted to copper body or compression type lugs
- Defeatable dual cover interlock
- Insertion or removal of the plug is prevented by the interlock linkage while the switch is ON
- Receptacle prevents operation of the switch if an incorrect plug is inserted
- Accepts Crouse-Hinds plug # APJ3485 and NPJ3485

General Information

Catalog Number	Volts ¹	Description	Shipping Weight (lbs.)
Type 12 Industrial ²			
HF321JCH	240	3 Pole, 3 Wire, Fusible	23
HF361JCH	600	3 Pole, 3 Wire, Fusible	24
HNF361JCH	600	3 Pole, 3 Wire, Non-Fusible	22
Type 4/4X Stainless Steel			
HF321SCH	240	3 Pole, 3 Wire, Fusible	23
HF361SCH	600	3 Pole, 3 Wire, Fusible	24
HNF361SCH	600	3 Pole, 3 Wire, Non-Fusible	22

Horsepower Ratings ^{3 4} - 600 Volts

Catalog Number	3 Phase, 240V AC		3 Phase, 480V AC		3 Phase, 600V AC	
	Std	Max	Std	Max	Std	Max
HF321JCH	3 ⁵	7½ ⁵	—	—	—	—
HF321SCH	3 ⁵	7½ ⁵	—	—	—	—
HF361JCH	3 ⁵	7½ ⁵	5 ⁵	15 ⁵	7½ ⁵	20 ⁵
HF361SCH	3 ⁵	7½ ⁵	5 ⁵	15 ⁵	7½ ⁵	20 ⁵
HNF361JCH	—	10	—	20	—	30
HNF361SCH	—	10	—	20	—	30

Mechanical Lug Wire Ranges (60/75°C, Cu/Al)

Description	Wire Range
Line, Load, Neutral	#14-6 AWG (Cu/Al)
Ground ⁶	#14-4 AWG

¹ Also rated 250V DC.

² Also rated 3R/3S for outdoor use.

³ Dual horsepower ratings: Std - applies when non time delay fuses are installed.
Max - applies when time-delay fuses are installed.

⁴ Also rated 5HP at 250V DC.

⁵ Horsepower ratings listed also apply to Design E motors with no derating.

⁶ Load side of ground kit is wired to the 3 phase, 4 wire ground type receptacle.

Product Specification Sheet HD30.10

Answers for industry.

SIEMENS

Product Specification Sheet #HD30.10 (page 2 of 2)

Accessories

Catalog Number	Description
HA161234	One Normally Open and Closed Auxiliary Switches
HA261234	Two Normally Open and Closed Auxiliary Switches
HA361234	Low Voltage Auxiliary Switch
HG61234	Equipment Ground Lug Kit (Factory installed) ¹
HP61	Fuse Puller (3 per kit)
HR612	600 Volt Class R Fuse Clip Kit (3 fuse clips per kit)
HLC612	Copper Lug Kit (9 lugs per kit)
SSH075	.75" Type 12 and 4/4X Hub

Replacement Parts

Catalog Number	Description
HA161234	One Normally Open and Closed Auxiliary Switches
HA261234	Two Normally Open and Closed Auxiliary Switches
HA361234	Low Voltage Auxiliary Switch
HG61234	Equipment Ground Lug Kit (Factory installed) ⁶
HP61	Fuse Puller (3 per kit)
HR612	600 Volt Class R Fuse Clip Kit (3 fuse clips per kit)
HLC612	Copper Lug Kit (9 lugs per kit)
SSH075	.75" Type 12 and 4/4X Hub

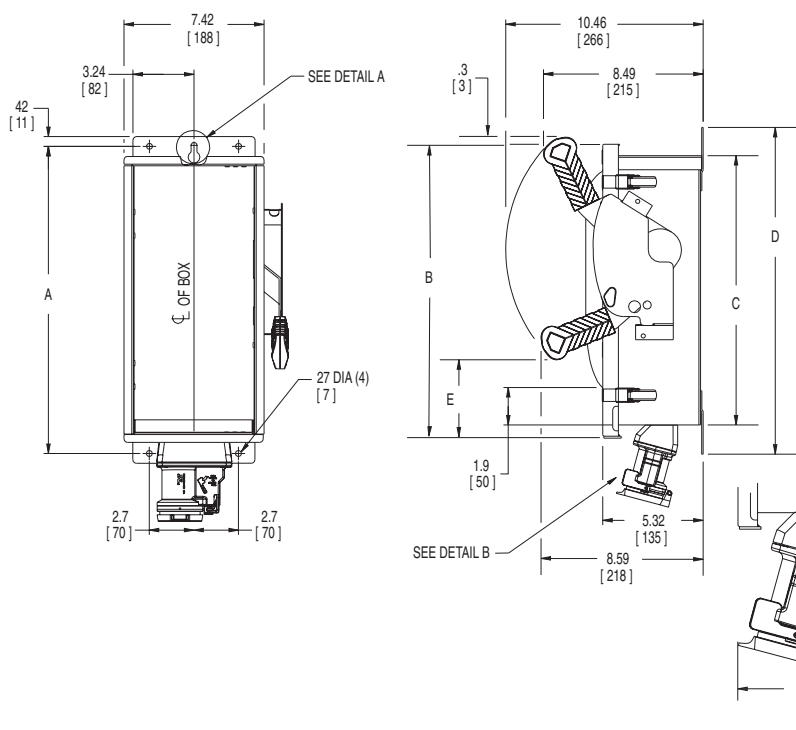
Compression Lugs ³

Wire Size	Burndy		Thomas-Betts		IlSCO	
	CU Only	CU/AL	CU Only	CU/AL	CU Only	CU/AL
#14-10				60096 60097		
#8	YA8C-L BOX YA8C-L1 BOX		54104 54130	60101 60102 61102	CRA-8	ACL-8 ACN-8
#6				6110		

1 Load side of ground kit is wired to the 3 phase, 4 wire grounded type receptacle.
2 Place "DOOR" at the end of the switch catalog number.

3 If compression lugs are used for the neutral, order compression lug neutral barrier kit HCL612.

Dimension Drawing



Dimensions Inches (mm)

Cat. No.	A	B	C	D	E
HF321JCH					
HF321SCH	16.46 (418)	15.45 (393)	14.27 (362)	17.31 (440)	4.07 (103)
HF361JCH					
HF361SCH					
HNF361JCH	13.33 (338)	12.31 (313)	11.12 (282)	14.16 (360)	.92 (23)
HNF361SCH					

No knockouts in the enclosure.
Dimensions shown in inches and millimeters ().
Dimension shown accurate to ± 1/16 inch.

	LINE SIDE WIRE BEND
600V	3.02 (77)

Type 12 Enclosure: Galvanized Steel
.054 Thick (17 Gauge)
Finish: ANSI Grey #61 Paint
Type 4X Enclosure: 304 Stainless Steel
.055 Thick (17 Gauge)

30A Crouse-Hinds Receptacle
Type 12 # WBR3442
Type 4X # WBR3442-S752