

Catalog Number: UA2717-ZGD

Features and Ratings

- Ringless Type Meter Socket
- 200A Continuous, 200A Overall, 600V AC
- Outdoor Enclosure (Type 3R)
- Painted G90 Steel Enclosure
- 1 Phase, 3 Wire
- 4 Jaw Meter Socket
- Meter Socket Type A14, 2 Position
- Overhead or Underground Service
- HD (Large) Type Hub Opening w/Coverplate
- 7/16" Barrel Lock w/Bracket

Accessories

Meter Opening Cover Plate
Cat No: H659-0162

5th Jaw Kit
Cat. No: 659-0121

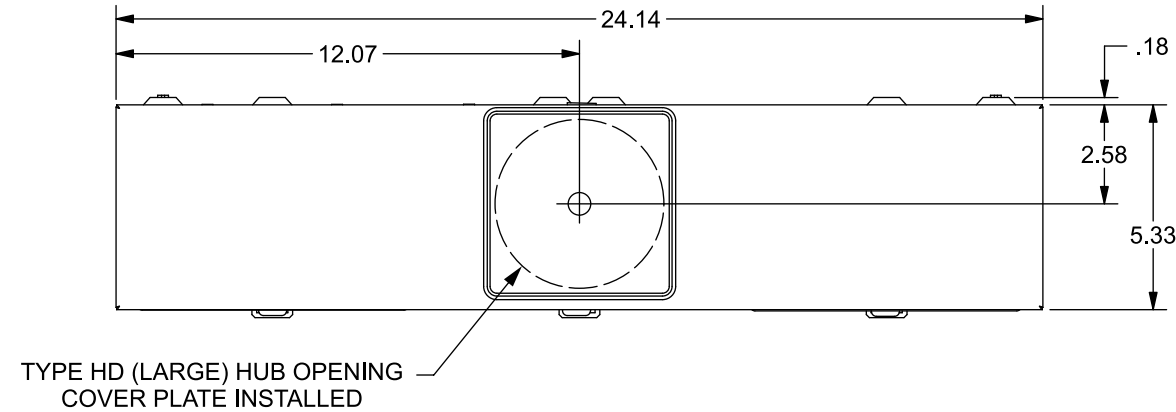
CONDUIT HUBS (HD Type)	
TRADE SIZE	CATALOG No.
3 INCH	EC56856 or H56856-2
3-1/2 INCH	EC56857 or H56857-2
4 INCH	EC56858 or H56858-2
Hub Cover Plate	EC56933 or H56933S

Connectors, Wire Sizes and Torques

CONNECTOR	WIRE SIZE	TORQUE
LINE	#1/0 - 600 kcmil	375 IN.-LBS.
LOAD	#6 - 350 kcmil	250 IN.-LBS.
GROUND	#14 - 2 AWG (CU)	50 IN.-LBS.

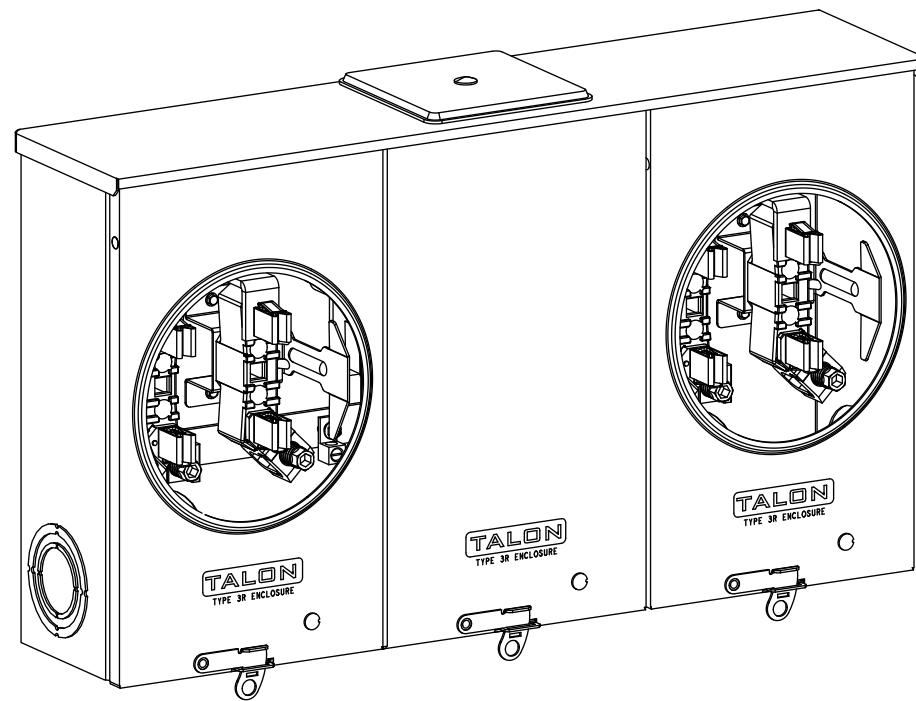
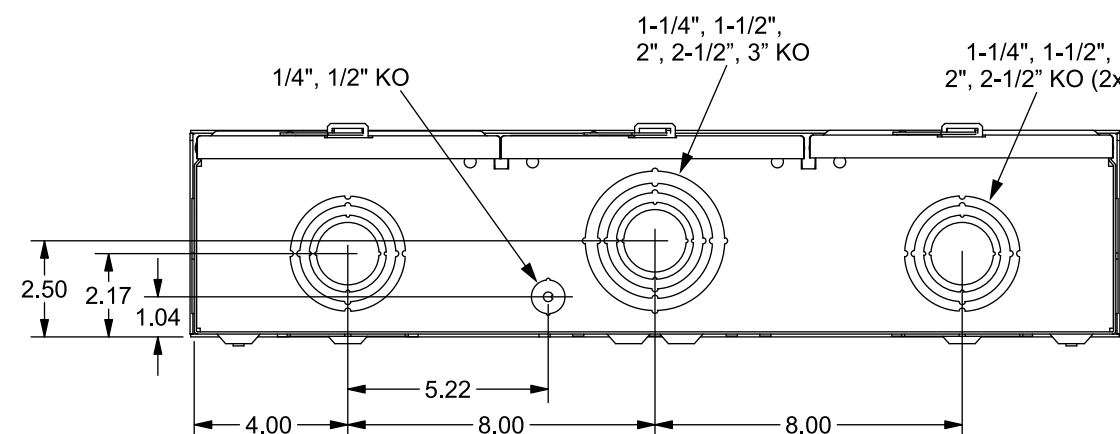
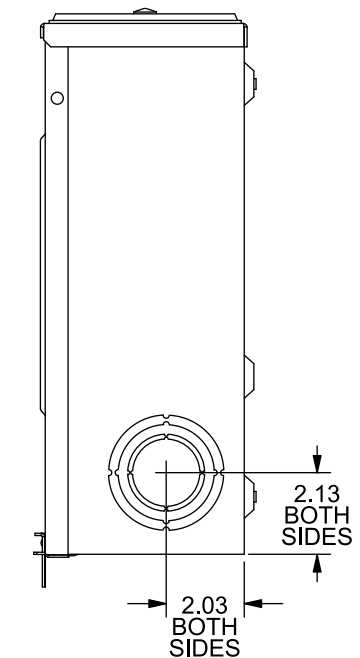
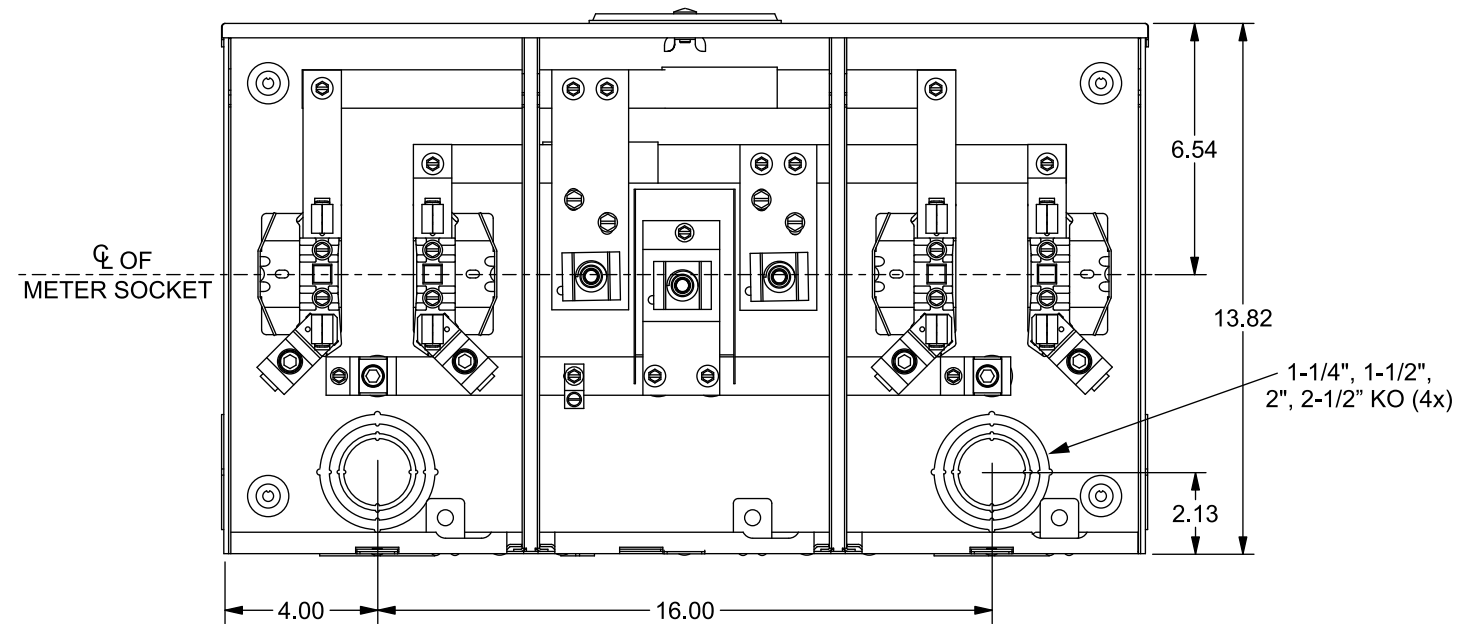
* External Hex Drive 1/2"
* Internal Hex Drive 5/16"

WIRE BENDING SPACE PROVIDED FOR 350 kcmil WIRE



TYPE HD (LARGE) HUB OPENING COVER PLATE INSTALLED

VIEW SHOWN WITH COVERS REMOVED



© 2019 Copyright Siemens Industry, Inc.

TALON
Meter Socket

Description: **200A Cont, 4 Jaw, A14 2-Position, OH/UG, 600V AC, Painted Steel Enclosure**

KAM 5/17/19 DO NOT SCALE DRAWING Dwg No: UA2717-ZGD