



## Traditional Electronic Programmer

## RWB2E

### Features

---

- LED "ON" Lamps
- 1 hour boost facility
- 2 ON/OFFS per day
- Gravity or fully pumped systems
- All day option
- Override facility
- Industry standard backplate

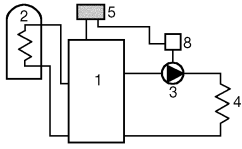
### Use

---

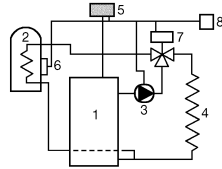
The RWB2E electronic programmer is designed to provide individual control of domestic central heating systems and hot water systems. In conjunction with the appropriate thermostats (room/ cylinder) and motorised valve(s) it can be used in most types of domestic heating installations to provide time/ temperature control.

## Application Examples

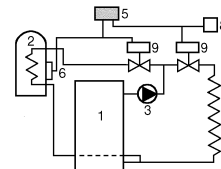
Pumped Central Heating with Gravity hot water (10 programmes)



Mid-Position System (16 programmes)



Zone valve system (16 programmes)



### Key

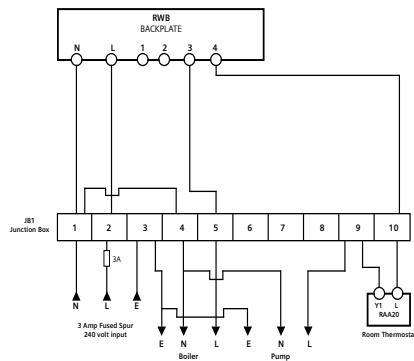
1 Boiler  
2 Hot water cylinder  
3 Pump

4 Heating Circuit  
5 Programmer RWB  
6 Cylinder thermostat RAM

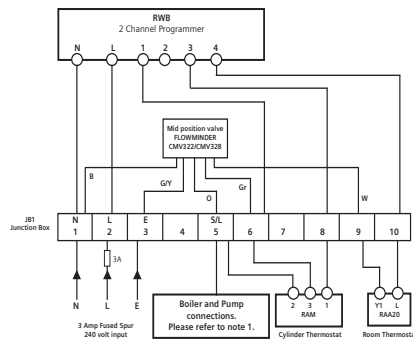
7 Three Way Valve CMV..  
8 Room thermostat RAA  
9 Zone valve CZV...

### Wiring Diagrams

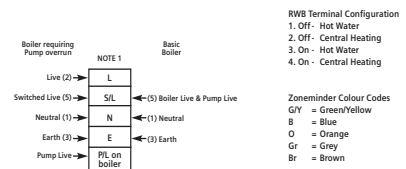
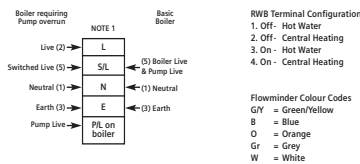
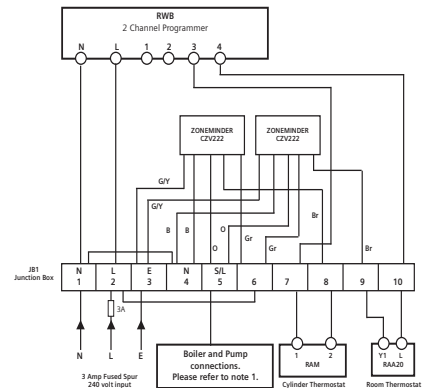
Pumped Central Heating with Gravity hot water



Mid-Position System



Zone valve system



### Technical Data

Operating Voltage

AC 220-240 V

Frequency

50 Hz

Contact Rating

- resistive

6 Amp

- inductive

2 Amp

Ambient temperature range

0°C to 40°C

Environmental humidity

80% RH

Housing ABS resistant to fire

as IEC 730 standard

Dimensions

145mm wide x 90mm high x 34mm deep

Siemens Building Technologies  
Hawthorne Road  
Staines  
Middlesex  
TW18 3AY

Technical helpline 0870 850 0184

