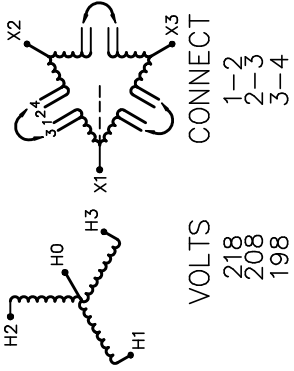




REVISION	DATE	BY	DATE	BY
			17/10/20	RM

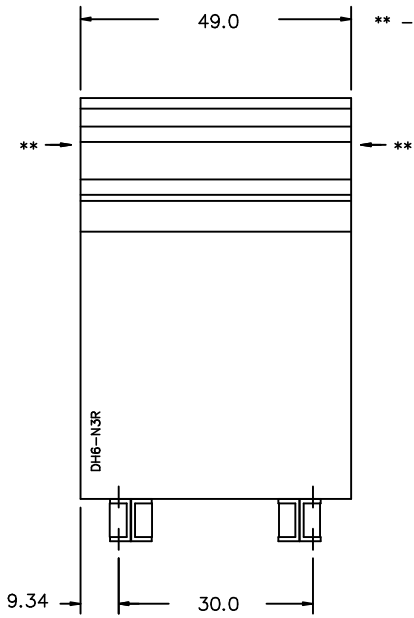
Siemens Industry, Inc.	
CUSTOMER	
ORDER NO.	DWG. NO.
	3B5S500CD16
	SH 1 OF 3

# SIEMENS

CATALOG NO. 3B5S500CD16 SERIAL NO. SERIES H 500 kVA 60 Hz 3 PHASE 5.6 % IMP AT 170 °C			
150 °C RISE	30 °C AVG. AMBIENT	VOLTS	CONNECT
220 °C TEMP CLASS	40 °C MAX. AMBIENT	218	1-2
PRIMARY ( X1 X2 X3 )	208 V 10 kV BIL	208	2-3
SECONDARY( H0 H1 H2 H3 )	480Y/277 V 10 kV BIL	198	3-4
WINDING MATERIAL CU			
ENCLOSURE TYPE 3R		WEIGHT 3450LBS	
ENERGY EFFICIENCY EXCEEDS CSA C802.2-2012		DOE 10 CFR PART 431:2016	
SPACINGS BETWEEN ANY VENTILATED ENCLOSURE PANEL AND ANY ADJACENT WALL SHALL BE A MINIMUM OF 12 INCHES			
TRANSFORMER SUITABLE FOR STEP UP OPERATION ONLY			
NEMA Class ANN Dry Type Transformer		Siemens Industry, Inc. Norcross, GA <small>dsu0086e1</small>	
SUITABLE FOR INDOOR OR OUTDOOR LOCATIONS BEFORE HANDLING, INSTALLING AND OPERATING, SEE INSTRUCTION MANUAL		TYPE K	
		 LISTED  LR 3902 DRY TYPE TRANSFORMER E112313 SEISMIC QUALIFICATIONS, FLOOR MOUNT ONLY OSP-0136-10 IBC 2012/ASCE 7-10 SDS<=2.0g Z/h=1 Ip=1.5	

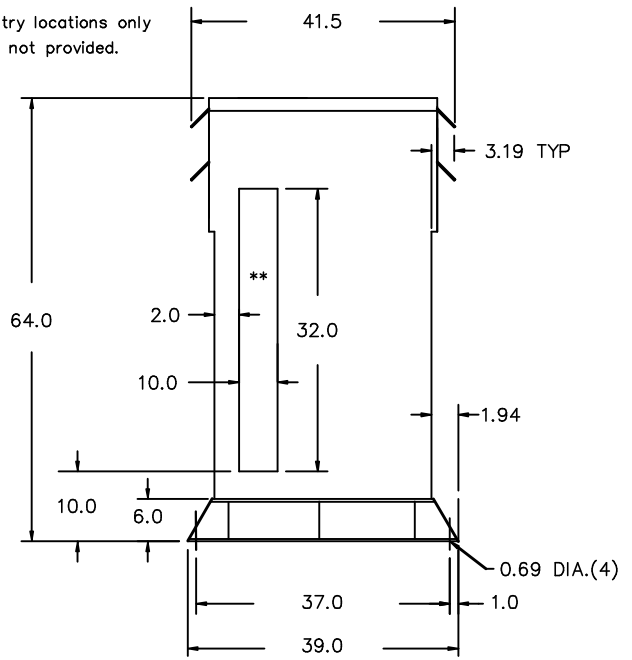


FRONT VIEW



\*\* - Recommended cable entry locations only  
cutouts & gland plates not provided.

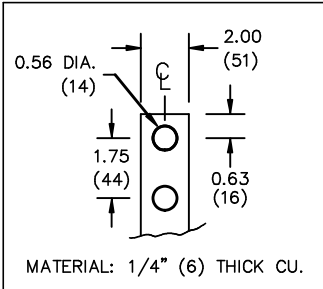
SIDE VIEW



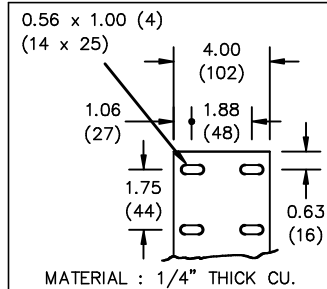
All Dimensions in inches

ENCLOSURE COLOR : ANSI 61 GREY - OUTDOOR

H.V.1. TERMINAL DETAIL



L.V.1. TERMINAL DETAIL



CUSTOMER NOTES:

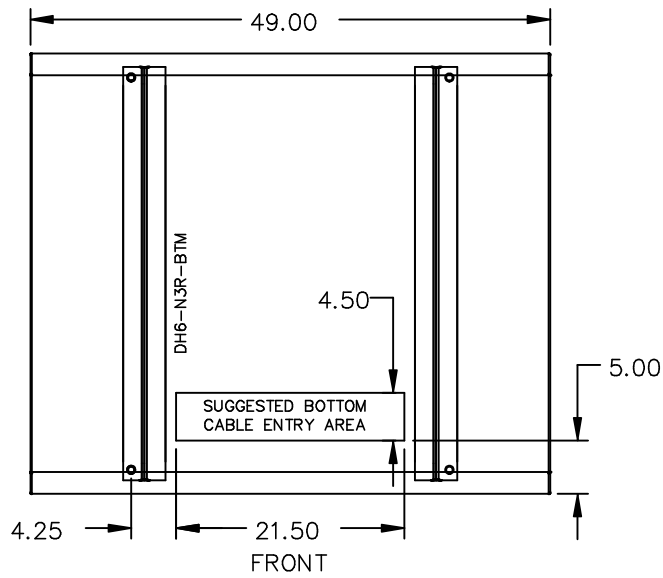
- HV1 TERMINATED AT BOTTOM FRONT
- LV1 TERMINATED AT TOP FRONT

Siemens Industry, Inc.

REVISION	DATE	BY	DATE	BY
			17/10/20	RM

CUSTOMER		
ORDER NO.	DWG. NO.	
	3B5S500CD16	SH 2 OF 3

ENCLOSURE BOTTOM VIEW



NOTE:  
 WHEN BOTTOM CABLE ENTRY IS OPTED, THE SPACE USED FOR CONDUITS IN THE FRONT OF THE TRANSFORMER SHOULD NOT OBSTRUCT MORE THAN 50% OF THE FRONT AIR INTAKE AREA DEFINED BETWEEN THE BOTTOM PLATE AND THE SUPPORTING LEGS.  
 SEE MANUAL FOR ADDITIONAL INFORMATION

Siemens Industry, Inc.

REVISION	DATE	BY	DATE	BY
		DRAWN	17/10/20	RM
		CHEK'D		
		VERIF'D		

CUSTOMER		
ORDER NO.	DWG. NO.	
	3B5S500CD16	SH 3 OF 3