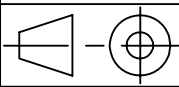
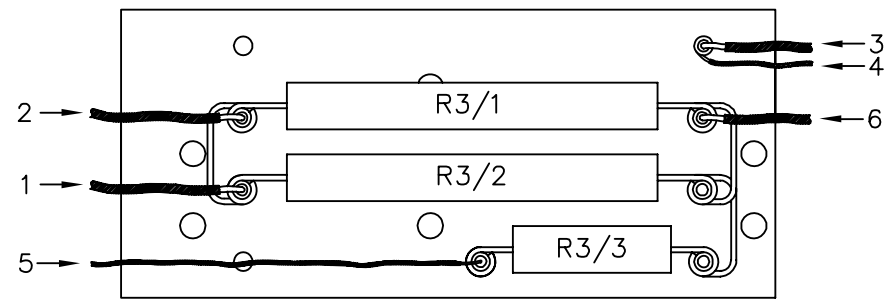


**NOT SUBJECT TO UPDATE
ONCE COPIED / PRINTED
OR DOWNLOADED**

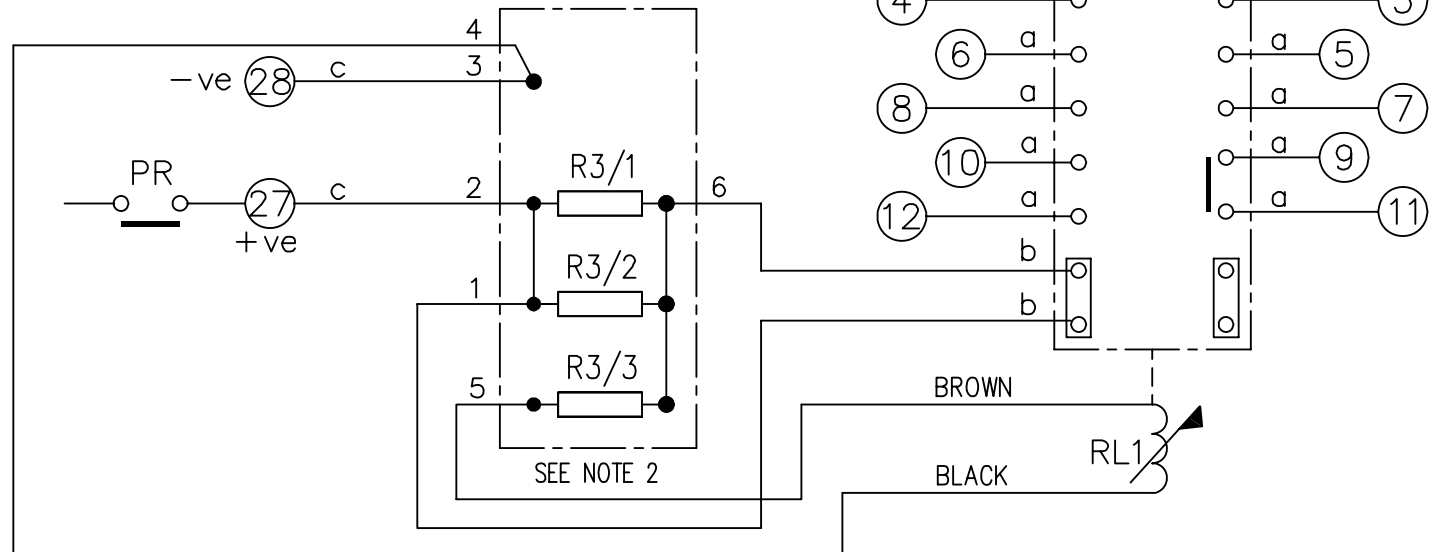


IF IN DOUBT ASK
DO NOT SCALE

RESISTOR ASSEMBLY AND WIRE INDICATION.



ARTICLE NUMBER 2112G11550 24V



NOTE:
1. CONTACT CONFIGURATION ABOVE IS REQUIRED FOR RELAY OPERATION.
FOR DETAILS OF VARIABLE CONTACT OPTIONS SEE TABLE BELOW
2. WIRE NUMBERS ARE ASSOCIATED WITH RESISTOR ASSEMBLIES OPPOSITE.

| ASSEMBLY WIRES USED | | | | | | |
|---------------------|------------|--------|-----|-------------------|-------------------|------------------|
| a | 2107B10001 | 12 OFF | | | | |
| b | 2107B10004 | 2 OFF | 24 | 2102C45181 - 180R | 2102C45181 - 180R | 2102C25120 - 12R |
| c | 2107D10166 | 2 OFF | VDC | R3/1 | R3/2 | R3/3 |
| | | | | | | 2112G20013 |
| | | | | | | COIL - RL1 |

KEY

- make contact
- break contact
- c/o contact
- ext. conn
- plug bridge - shorting
- metering point
- 5Kv barrier
- test socket - shorting
- plug & socket

FRAME REFERENCE: E2FAQM.
FRAME TERMINAL BLOCK ASSY: -
ASSEMBLY INSTRUCTIONS: -
TYPICAL ASSEMBLY DRAWING 2995G10029.
AT INDICATED POSITIONS FIT AS FOLLOWS:
T - FIT TRIP ISOLATION CONTACT 2995B10053
S - FIT STANDARD CONTACT 2995B10054
SECURE CONTACTS USING FIXING SCREW 2109F99009.
POSITIONS SHOWN BLANK ARE UNUSED

| | | | |
|----|---|---|----|
| 2 | T | T | 1 |
| 4 | T | T | 3 |
| 6 | T | T | 5 |
| 8 | T | T | 7 |
| 10 | T | T | 9 |
| 12 | T | T | 11 |
| 14 | | | 13 |
| 16 | | | 15 |
| 18 | | | 17 |
| 20 | | | 19 |
| 22 | | | 21 |
| 24 | | | 23 |
| 26 | | | 25 |
| 28 | S | S | 27 |

VIEW FROM NUMBERED
SIDE OF BLOCK

OUTER TERMINAL BLOCK ASSY: -
ASSEMBLY INSTRUCTIONS: -
TYPICAL ASSEMBLY DRAWING 2995G10029.
AT INDICATED POSITIONS FIT AS FOLLOWS:
S - FIT STANDARD CONTACT 2995B10051
HC - FIT 'HEAVY CURRENT' KIT 2995G10030
WHERE IS SHOWN FIT CT SHORTING
KIT 2995G10031
POSITIONS SHOWN BLANK ARE UNUSED.
ALL POSITIONS FIT SCREW 2106F12506.

| | | | |
|----|---|---|----|
| 2 | S | S | 1 |
| 4 | S | S | 3 |
| 6 | S | S | 5 |
| 8 | S | S | 7 |
| 10 | S | S | 9 |
| 12 | S | S | 11 |
| 14 | | | 13 |
| 16 | | | 15 |
| 18 | | | 17 |
| 20 | | | 19 |
| 22 | | | 21 |
| 24 | | | 23 |
| 26 | | | 25 |
| 28 | S | S | 27 |

VIEW FROM INSIDE
CASE

| CONTACT CONFIG. | OUTPUT CONTACT PAIR / TERMINAL No. | | | | | |
|-----------------|------------------------------------|-----|-----|-----|------|-------|
| | 1-3 | 2-4 | 5-7 | 6-8 | 9-11 | 10-12 |
| 6M | M | M | M | M | M | M |
| 5M 1B | M | B | M | M | M | M |
| 4M 2B | B | B | M | M | M | M |
| 3M 3B | B | B | M | B | M | M |
| 2M 4B | B | B | B | B | M | M |
| 1M 5B | B | B | B | B | M | B |

**PRINTED ON 26/03/2012
ENSURE CORRECT REVISION
DESTROY AFTER USE**

MATERIAL:

Dimensions in millimetres ; Surface texture in micrometres.
Machine where marked ✓
For explanation of dimensions, tolerances, notes etc. see B.S.308.
Limit on untoleranced unmachined dimensions ± _____
Limits on untoleranced machined dimensions to B.S.4500;
i.e. up to 6±0.1; over 30 to 120±0.3; over 315±0.8;
over 6 to 30±0.2; over 120 to 315±0.5;
General unmachined angular tolerance ± _____

Finish: _____
Treatment: _____

Title:
T.B. AND WIRING DIAG. FOR TR212-6 CONTACT
24V RELAY IN EPSILON E2 CASE

SIEMENS PROTECTION DEVICES LTD.

Original Scale: _____

First used on: _____
Similar Articles: 2112W50212
Supersedes: _____
Drg. No. **2112W50221**

| | | |
|-------|----------|--------------|
| 1 | 02/02/12 | CHANGE NOTED |
| ISSUE | DATE | NOTED |

Copyright © 2012 Siemens Protection Devices Ltd. Hebburn