

SIEMENS

CATALOG NO. 3F3Y015CSSN4X

SERIAL NO. SERIES H

15 kVA 60 Hz 3 PHASE

5.9 % IMP AT 170 °C

150 °C RISE 30 °C AVG. AMBIENT

220 °C TEMP CLASS 40 °C MAX. AMBIENT

PRIMARY (H1 H2 H3) 480 V

SECONDARY(X0 X1 X2 X3) 208Y/120 V

WINDING MATERIAL CU

ENCLOSURE TYPE 4X

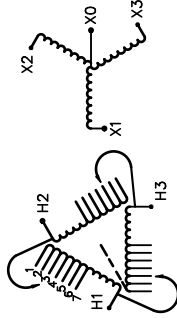
WEIGHT 275 LBS

SPACINGS BETWEEN ENCLOSURE PANEL AND ANY ADJACENT WALL SHALL BE A MINIMUM OF 3 INCHES

DO NOT INSTALL IN AREAS ACCESSIBLE TO PUBLIC

SUITABLE FOR INDOOR OR OUTDOOR LOCATIONS BEFORE HANDLING, INSTALLING AND OPERATING, SEE INSTRUCTION MANUAL

NEMA ClassANC Dry Type Transformer Siemens Industry,Inc. Norcross, GA



| VOLTS | CONNECT |
|-------|---------|
| 504 | 1 |
| 492 | 2 |
| 480 | 3 |
| 468 | 4 |
| 456 | 5 |
| 444 | 6 |
| 432 | 7 |

TYPE KN

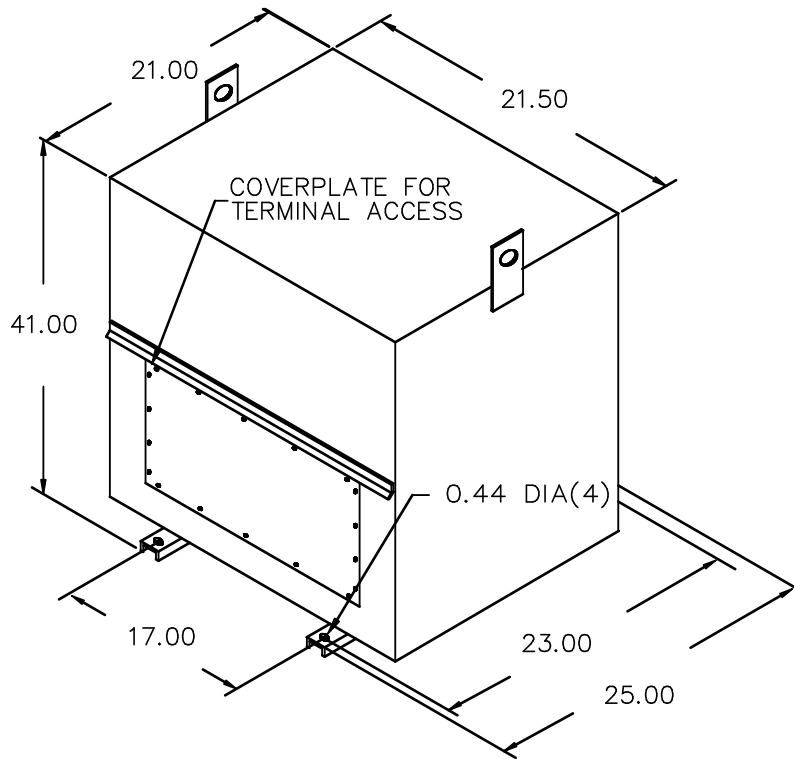


3F3Y015CSSN4X

Confidential – Property of
Siemens Industry, Inc.

| REVISION | DATE | BY | DATE | BY |
|----------|----------|----|----------|----|
| 1 | 12/08/29 | RM | 07/11/12 | RM |
| 2 | 15/12/15 | RM | | |

| | | |
|-----------|---------------|-----------|
| CUSTOMER | | |
| ORDER NO. | DWG. NO. | 2 |
| | 3F3Y015CSSN4X | SH 1 OF 2 |



All Dimensions in inches

ENCLOSURE COLOR :316 STAINLESS STEEL # 3 POLISH

H.V.1. TERMINAL DETAIL

L.V.1. TERMINAL DETAIL

MECHANICAL TYPE LUGS INCLUDED
SUITABLE FOR #14-2 CU/AL
CONDUCTORS
1 CONDUCTOR PER PHASE

MECHANICAL TYPE LUGS INCLUDED
SUITABLE FOR #14-2 CU/AL
CONDUCTORS
1 CONDUCTOR PER PHASE

CUSTOMER NOTES:

- HV1 TERMINATED AT TOP FRONT
- LV1 TERMINATED AT BOTTOM FRONT

Confidential – Property of
Siemens Industry, Inc.

| REVISION | DATE | BY | DATE | BY | CUSTOMER |
|-----------|------------|---------------|----------------|-----------|----------|
| | | | DRAWN 07/11/12 | RM | |
| 1 | HCN: 27751 | 12/08/29 | RM | CHEK'D | |
| 2 | HCN: 62048 | 15/12/15 | RM | VERIF'D | |
| ORDER NO. | | DWG. NO. | | 2 | |
| | | 3F3Y015CSSN4X | | SH 2 OF 2 | |