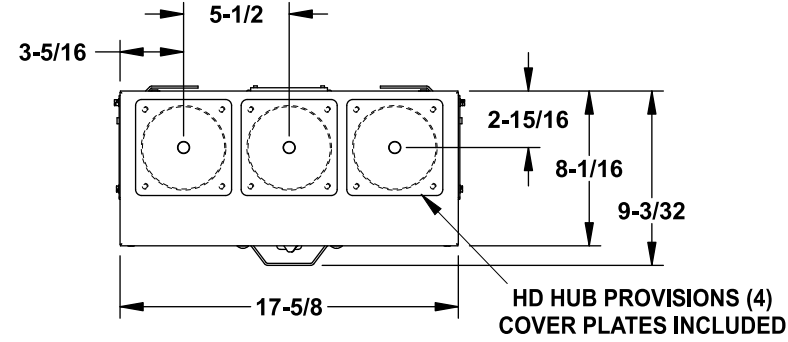
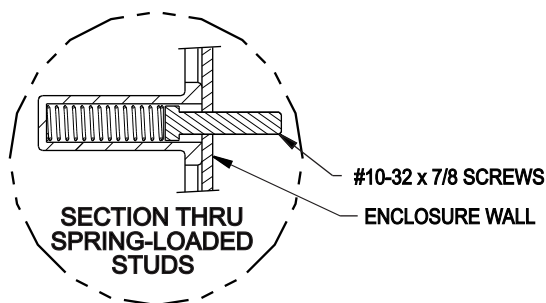
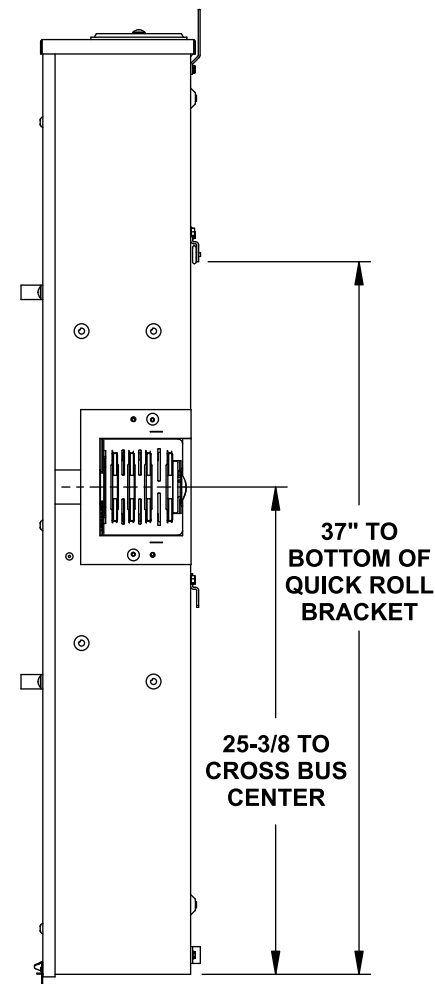
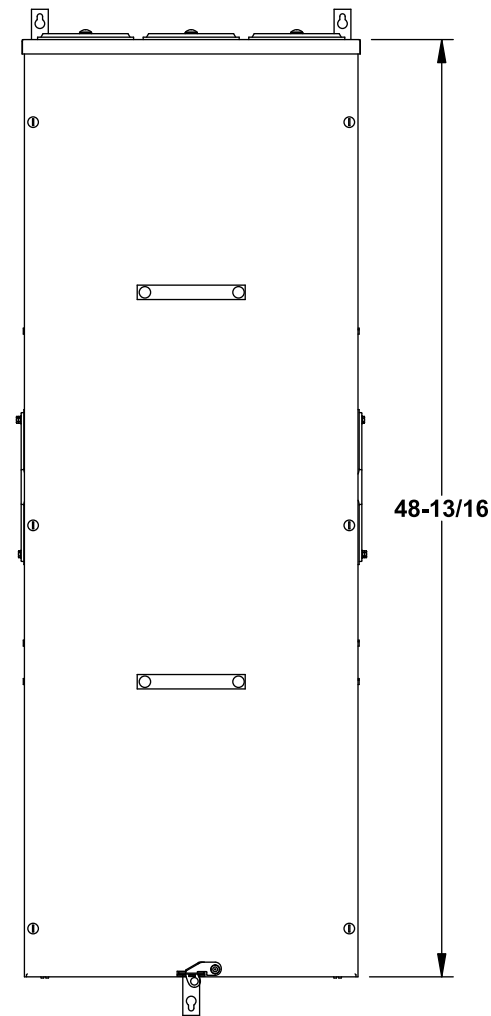
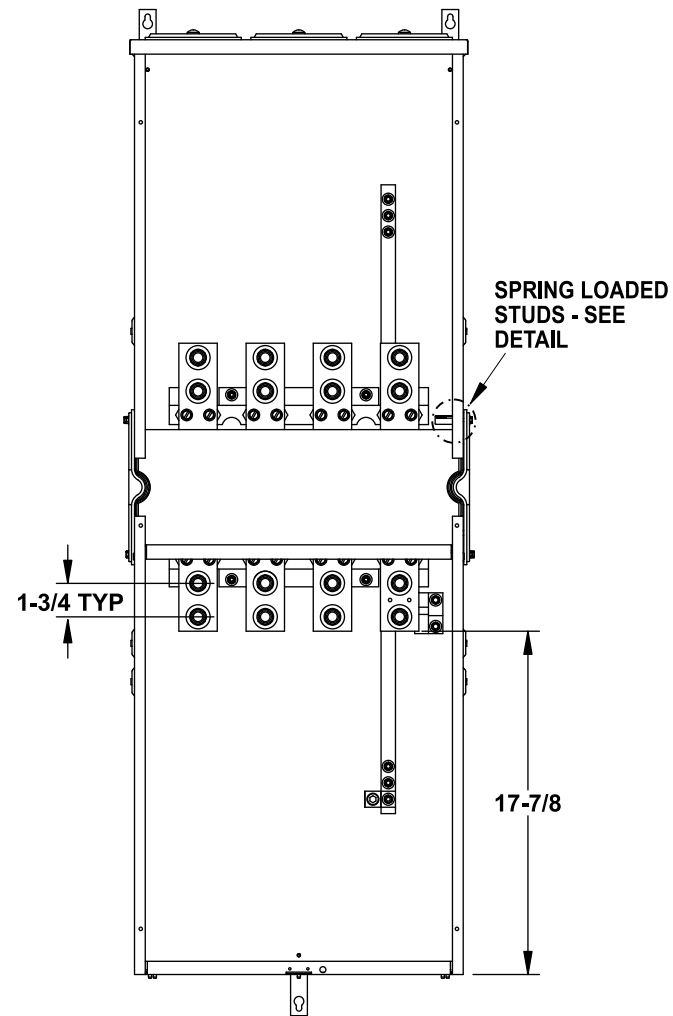


Features and Ratings

- MAIN BUS RATING: 1200 AMPS, 240V AC MAX.
- MODULE RATING: 400 AMPS MAX, 240V AC MAX.
- 100,000 AIC RATING MAX.
- 3 PHASE
- TYPE 3R OUTDOOR ENCLOSURE
- FOR OVERHEAD OR UNDERGROUND SERVICE
- MOUNTING RAILS AND ADJUSTABLE BRACKETS FOR SECURE MOUNTING



VIEW SHOWN WITHOUT COVERS



Lug Kits and Replacement Parts

Lugs for Phase and Neutral Connections (not supplied)					
Lug No. ①	MFG	Wire Range	Type	No. Wires per phase	Torque (lb.-in.)
LK31600N2	Siemens	#2-600 kcmil	Mechanical	1	500
LK32500N2	Siemens	1/0-500 kcmil	Mechanical	2	500
2ACL-500	ILSCO	500 kcmil	Compression	2	NA ②
2ACL-600	ILSCO	600 kcmil	Compression	1	NA ②

- ① Order one mechanical lug kit for mains and neutral. Contact lug manufacturer for compression lug quantities supplied for each kit.
 ② See lug manufacturer's instruction sheet supplied with the connector for tool, die, and number of crimps.

Additional Modules

FOR USE WITH: Module Description	Siemens Series#
Main Breakers	WB, WEB, WXB
Switches	WS, WES
Tap/Terminal Boxes	WTB, WET, WT, PU
Meter Module	(W)MM, (W)ML
Meter Combinations	WC, WCL
Extension Box	WSP, WSPD
Bussed Elbow	BE

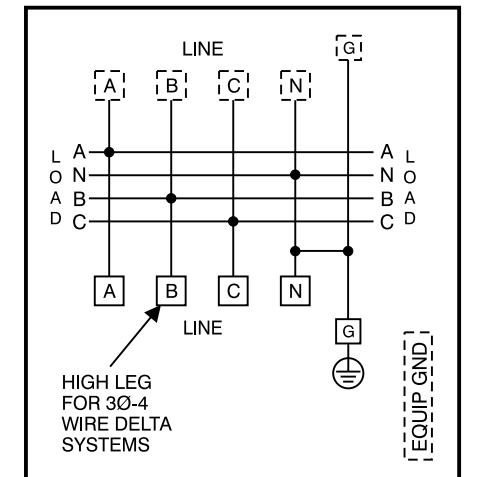
Connect Modules Using:	Catalog Number / Torque
QuickConnect	QC4, Torque 400-440 lb-in (35-36 ft.-lb.)

Accessories

Description	Catalog No.
Ground Bar Kit	ECLX069M
Parts Kit	ECMFPK
Mounting Rail	MMRAIL
Mounting Clip	MMCLIP
Mounting Tabs (2)	ECMFTAB
Back Rail/Clip	ECMFWLCLIP
Wall Mounting Rail (60")	MMZR60

Siemens Accessories	Catalog Number
Hub Cover Plate	EC56933S
Type HD Hub 2"	EC56854
Type HD Hub 2-1/2"	EC56855
Type HD Hub 3"	EC56856
Type HD Hub 3-1/2"	EC56857
Type HD Hub 4"	EC56858

Schematic



Catalog No. WTBN3400CU

© 2013 Copyright Siemens Industry, Inc.

SIEMENS
Siemens Industry, Inc.

PowerMod™ Tap Box

Catalog Numbers: **3 Phase, 400 Amp Service Entrance Tap Box (CE)**

Size B Dwg. No. **WTBN3400CU**

Dwn KAM Date 4/29/13 DO NOT SCALE DRAWING SHEET 1 OF 1