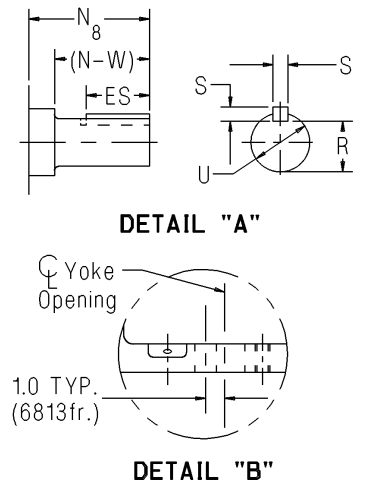
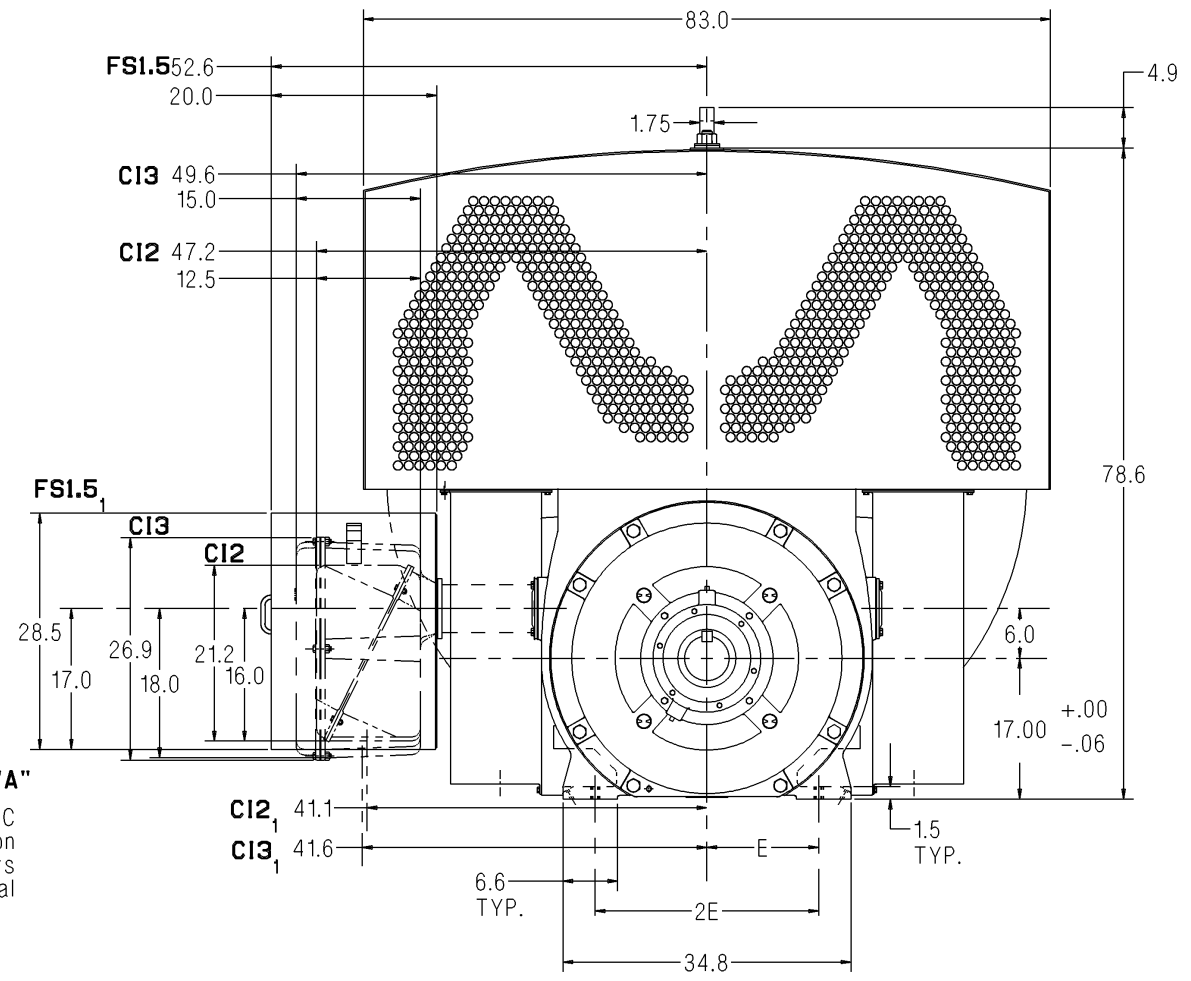
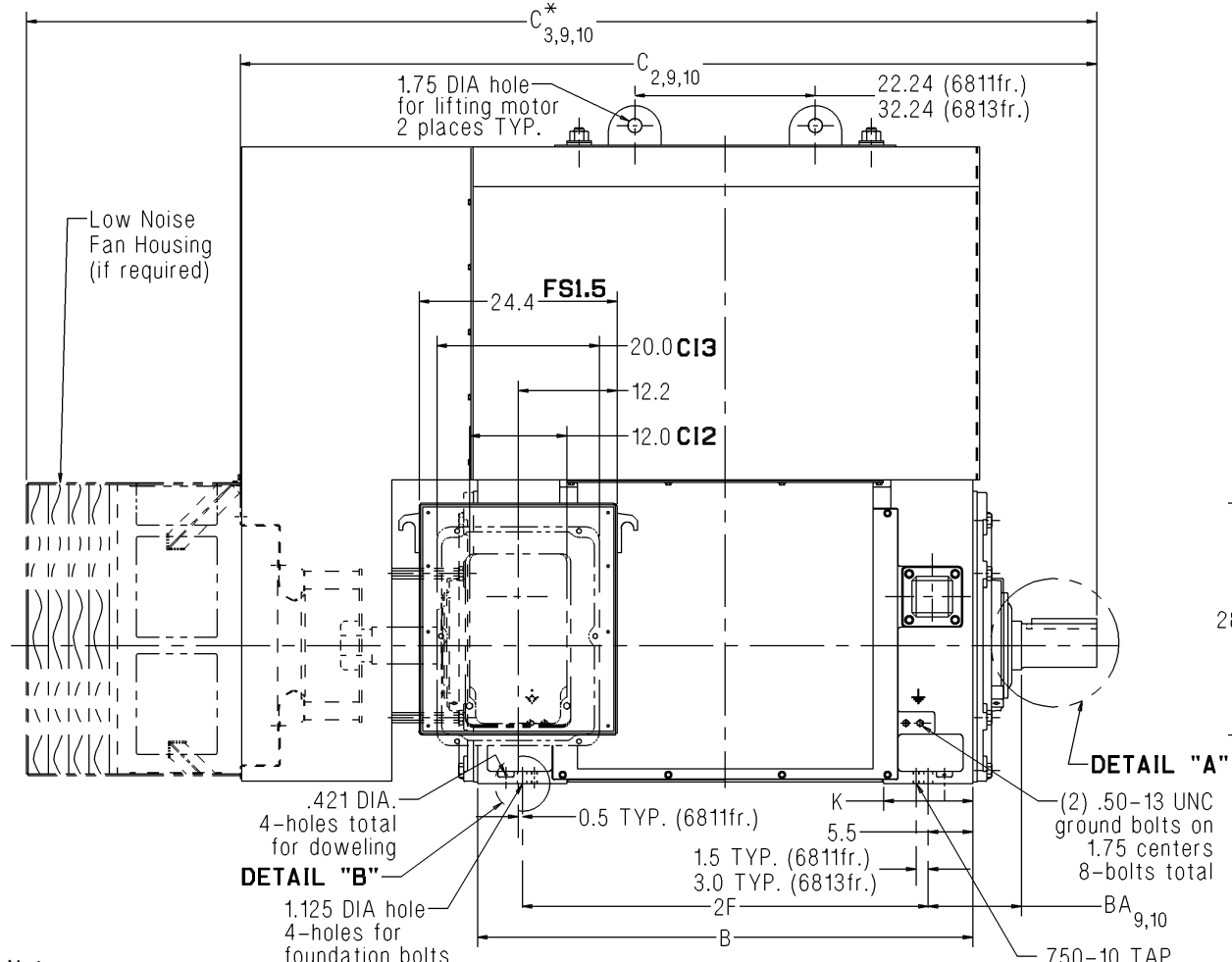


SIEMENS

Dimension Prints for Above NEMA Motors

Type CAZ - Horizontal - TEAAC with Shaft Mounted Fan
Anti-Friction Bearing - Direct Connected
Frames 6811 / 6813 - 4 Pole & Slower - Rotatable Main Conduit Box



Notes:

- Main conduit box may be rotated 90° towards drive end only.
A removable bottom plate is supplied on the FS1.5 conduit box.
A 5.0 N.P.T. is supplied on the CI2 and CI3 conduit boxes.
A 12.0" spacer is supplied on both frames for all rotatable conduit boxes.
- C = Length of motor from drive end of shaft to end of standard fan housing.
- C* = Length of motor from drive end of shaft to end of low noise fan housing.
- V = (N-W)-0.25" = length of shaft available for coupling.
- Machines rotate in one direction only.
- Shims may be necessary under motor feet for direct connection.
- Short shaft is for direct connection.
- Adding a rotating labyrinth seal to the drive end decreases N by:
4 Pole: 0.40" 6 Pole & Slower: 0.40"
- Adding a ground brush increases BA, C, and C* by:
4 Pole: 2.50" 6 Pole & Slower: 2.50"
- Adding a ground brush with rotating labyrinth seal increases BA, C, and C* by:
4 Pole: 2.50" 6 Pole & Slower: 2.75"
- Approximate Ship Weight is based on standard aluminum cooling tubes.

Standard Dimensions in Inches

Shaft	Frame	Speed	B	BA _{9,10}	C _{2,9,10}	C* _{3,9,10}	E	2F	K	N ₈	(N-W)	R	S	U	V ₄	ES	Approx. Ship Wt. (Lbs) ₁₁
Short	6811	4 Pole	61.0	11.50	105.8	131.8	13.50	50.0	11.0	10.45	9.25	4.169	1.250	4.875	9.00	8.0	14300
Short	6811	6 Pole & Slower	61.0	11.50	105.8	131.8	13.50	50.0	11.0	10.45	9.25	4.676	1.250	5.375	9.00	8.0	14100
Short	6813	4 Pole	74.0	11.50	118.8	144.8	13.50	63.0	12.5	10.45	9.25	4.169	1.250	4.875	9.00	8.0	17100
Short	6813	6 Pole & Slower	74.0	11.50	118.8	144.8	13.50	63.0	12.5	10.45	9.25	4.676	1.250	5.375	9.00	8.0	16600

Certification: Customer _____ P.O. _____ S.O. _____ Item _____
 HP _____ RPM _____ Frame _____ PH/HZ/Volts 3/_____/_____
 By _____ Date _____ Terminal Box Size CI2 CI3 FS1.5

Comments _____
 Not for construction, installation or application purposes unless certified.

CAZ_680_4plusPL_AF_ROT
Revision 01
01/20/09