

Pre-wired ST Type Automatic Transfer Switch with built in load center

250 VAC, NEMA 1

Data Sheet

Catalog numbers:

- ST050R10C** – 50 Amp, 10 Circuit Switch
- ST050R12C** – 50 Amp, 12 Circuit Switch
- ST100R14C** – 100 Amp, 14 Circuit Switch
- ST100R16C** – 100 Amp, 16 Circuit Switch

Features:

- Electrically operated, mechanically-held contacts for fast, positive connections.
- Rated for all classes of load, 100% equipment rated, both inductive and resistive.
- 2 pole, 250 VAC contactors.
- 30 millisecond transfer time.
- Dual coil (100A) and single coil (50A) designs.
- Main contacts are silver plated or silver alloy to resist welding and sticking.
- NEMA 1 (indoor rated) enclosure is standard on the 100 amp switch.
- 5 Year Limited Warranty.



Description

The ST pre-wired switch is designed to operate with 8-17kW air-cooled generators. This transfer switch has an integrated load center for picking up the emergency circuits. It is especially useful where the main service is large and only a portion of the building load will be served by the generator. It is available with a built-in 10, 12, 14 or 16-circuit load center to supply only those circuits that are essential during an emergency. All standard and load center transfer switches are CUL Listed and suitable for use in optional standby systems (NEC702).

Standard features

All pre-wired switches are housed in a steel NEMA 1 enclosure, with electrostatically applied and baked powder paint. The controller at the generator handles all the timing, sensing and exercising functions.

Contractor rating

The transfer switch contactor is rated at 250 VAC and is available in a single phase configuration only.

Functions

All Timing and sensing functions originate in the generator controller

Utility voltage drop-out	<60%
Timer to generator start	10 second factory set, adjustable between 2-1500 seconds by a qualified dealer*
Engine warm up delay	5 seconds
Standby voltage sensor	60% for 5 seconds
Utility voltage pickup	>80%
Re-transfer time delay	15 seconds
Engine cool-down timer	60 seconds
Exerciser	12 minutes every 7 days

The transfer switch can be operated manually without power applied.

*When used in conjunction with units utilizing Evolution™ controls

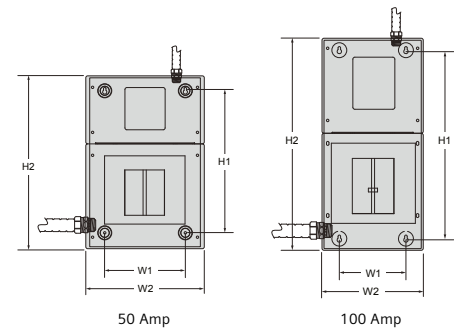
Specifications

Model	ST050R10C	ST050R12C	ST100R14C	ST100R16C
Voltage	120/240, 1ø	120/240, 1ø	120/240, 1ø	120/240, 1ø
Amps	50	50	100	100
Circuits, 50A, 240V	–	–	–	1
40A, 240V	–	1	1	1
30A, 240V	1	1	–	–
20A, 240V	1	–	1	1
20A, 120V	3	3	6	5
15A, 120V	3	5	4	5
Phase	1			
Rated AC frequency	60 Hz			
Enclosure material	Steel			
Enclosure type	NEMA 1			
Withstand rating (Amps)	10,000			
Lug range	1/0 - #14			
Load Transition Type	Open Transition			
30' Whip Conductor Gauges (Hot, Neutral, Ground, Control)	6, 6, 6, 18	6, 6, 6, 18	4, 4, 6, 18	4, 4, 6, 18

Mechanical Dimensions

Amps	Height			Width			Depth
	H1	H2	H3	W1	W2	W3	
50*	18.5 in.	22.5 in.	22 in.	10.5 in.	15.4 in.	14.4 in.	3.8 in.
	470mm	571.8mm	558.8mm	266.7	392mm	366mm	97.5mm
100	23.5 in.	26.4 in.	N/A	8.3 in.	12.6 in.	N/A	6.3 in.
	597mm	671.7mm	N/A	211mm	320.7mm	N/A	159.6mm

*Note: The 50 Amp switch is flush mountable. H1 and W1 refer to mounting hole spacing. H2 and W2 are cover dimensions. H3 and W3 (not shown in diagram) are the enclosure dimensions without cover.



Wire Ranges

Amps	Conductor lug	Neutral lug	Ground lug
50	1/0 - #14	2/0 - #14	2/0 - #14
100	2/0 - #14	2/0 - #14	2/0 - #14

Siemens Industry, Inc.
5400 Triangle Parkway
Norcross, GA 30092

1-800-241-4453
info.us@siemens.com

Order No. RPFL-SWIT1-0513 | Printed in USA |
 © 2013, Siemens Industry, Inc.

www.usa.siemens.com/generators

The information provided in this flyer contains merely general descriptions or characteristics of performance which in case of actual use do not always apply as described or which may change as a result of further development of the products. An obligation to provide the respective characteristics shall only exist if expressly agreed in the terms of contract.

All product designations may be trademarks or product names of Siemens AG or supplier companies whose use by third parties for their own purposes could violate the rights of the owners.