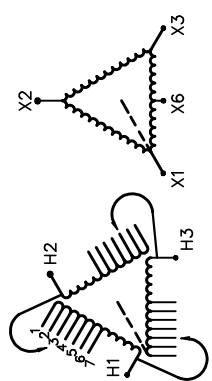




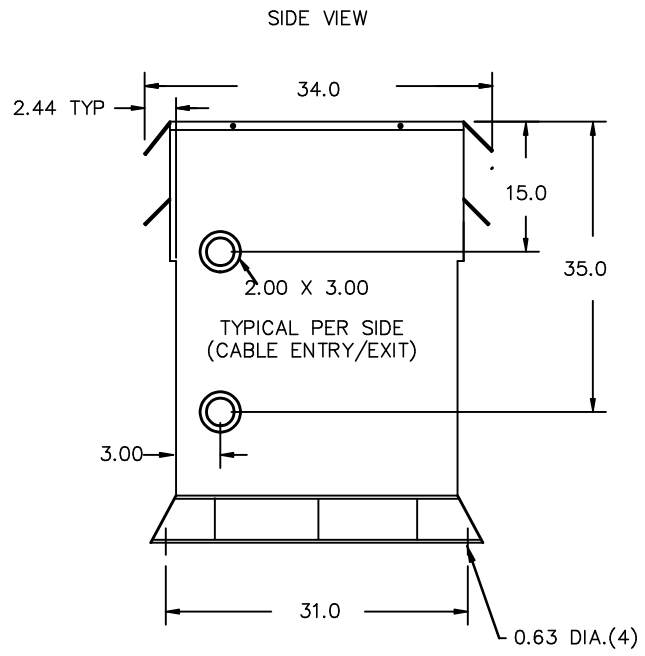
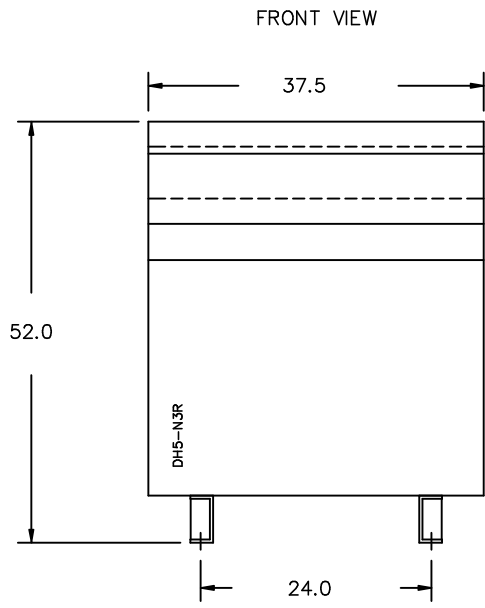
REVISION	DATE	BY	DATE	BY
			15/11/09	JW
1 ADDED ENCL BOTTOM DRAWING	17/04/03	JW		

Siemens Industry, Inc.		
CUSTOMER		
ORDER NO.	DWG. NO.	1
	3F1Y225BD16	SH 1 OF 3

SIEMENS

CATALOG NO. 3F1Y225BD16 SERIAL NO. SERIES H 225 kVA 60 Hz 3 PHASE 4.2 % IMP AT 100 °C			
80 °C RISE	30 °C AVG. AMBIENT	VOLTS CONNECT	
220 °C TEMP CLASS	40 °C MAX. AMBIENT	504	1
PRIMARY (H1 H2 H3)	480V)	492	2
SECONDARY(X1 X2 X3)	240V)	480	3
		468	4
		456	5
		444	6
		432	7
WINDING MATERIAL AL		TYPE K	
ENCLOSURE TYPE 3R WEIGHT 1800 LBS		 LISTED  LR 3902 DRY TYPE TRANSFORMER E112313	
ENERGY EFFICIENCY EXCEEDS CSA C802.2-2012 DOE 10 CFR PART 431:2016		SEISMIC QUALIFICATIONS, FLOOR MOUNT ONLY OSP-0136-10 IBC 2012/ASCE 7-10 SDS<=2.0g Z/h=1 Ip=1.5	
SPACINGS BETWEEN ANY VENTILATED ENCLOSURE PANEL AND ANY ADJACENT WALL SHALL BE A MINIMUM OF 5 INCHES EXCEPT WHEN WALL MOUNTED USING APPROVED WALL MOUNTING KIT X6=120V CT, 5% OF KVA RATING MAXIMUM			
SUITABLE FOR INDOOR OR OUTDOOR LOCATIONS BEFORE HANDLING, INSTALLING AND OPERATING, SEE INSTRUCTION MANUAL		NEMA Class ANN Dry Type Transformer Siemens Industry, Inc. Norcross, GA dsu0086e	

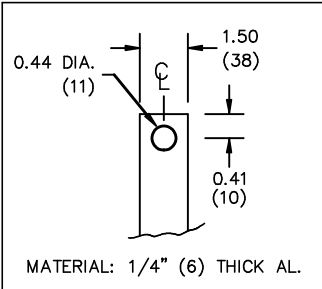




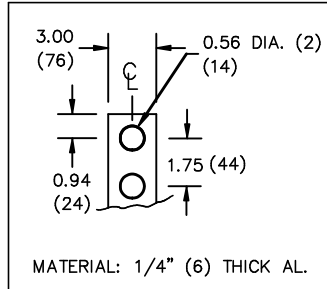
All Dimensions in inches

ENCLOSURE COLOR :ANSI 61 GREY – OUTDOOR

H.V.1. TERMINAL DETAIL



L.V.1. TERMINAL DETAIL



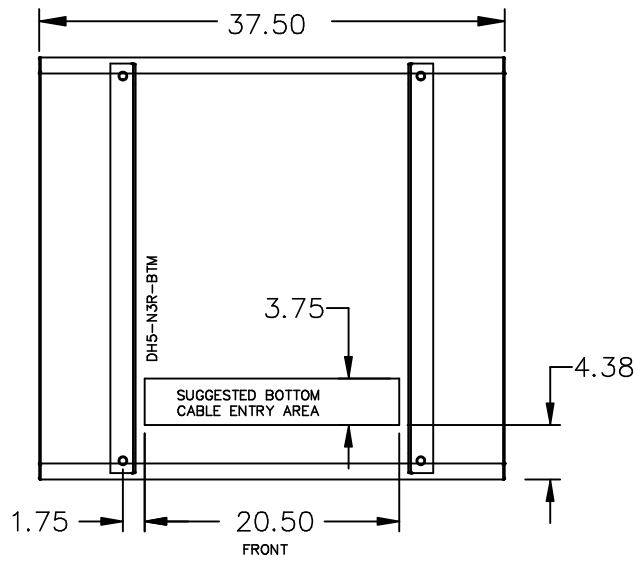
CUSTOMER NOTES:

- HV1 TERMINATED AT TOP FRONT
- LV1 TERMINATED AT BOTTOM FRONT

Siemens Industry, Inc.

REVISION	DATE	BY	DATE	BY	CUSTOMER		
			15/11/09	JW			
			CHEK'D				
1	ADDED ENCL BOTTOM DRAWING	17/04/03	JW	VERIF'D			
					ORDER NO.	DWG. NO.	1
					3F1Y225BD16		SH 2 OF 3

ENCLOSURE BOTTOM VIEW



NOTE:
 WHEN BOTTOM CABLE ENTRY IS OPTED, THE SPACE USED FOR CONDUITS IN THE FRONT OF THE TRANSFORMER SHOULD NOT OBSTRUCT MORE THAN 50% OF THE FRONT AIR INTAKE AREA DEFINED BETWEEN THE BOTTOM PLATE AND THE SUPPORTING LEGS.
 SEE MANUAL FOR ADDITIONAL INFORMATION

Siemens Industry, Inc.

REVISION	DATE	BY	DATE	BY	CUSTOMER		
			15/11/09	JW			
			CHEK'D				
1	ADDED ENCL BOTTOM DRAWING	17/04/03	JW	VERIF'D			
					ORDER NO.	DWG. NO.	1
					3F1Y225BD16		SH 3 OF 3