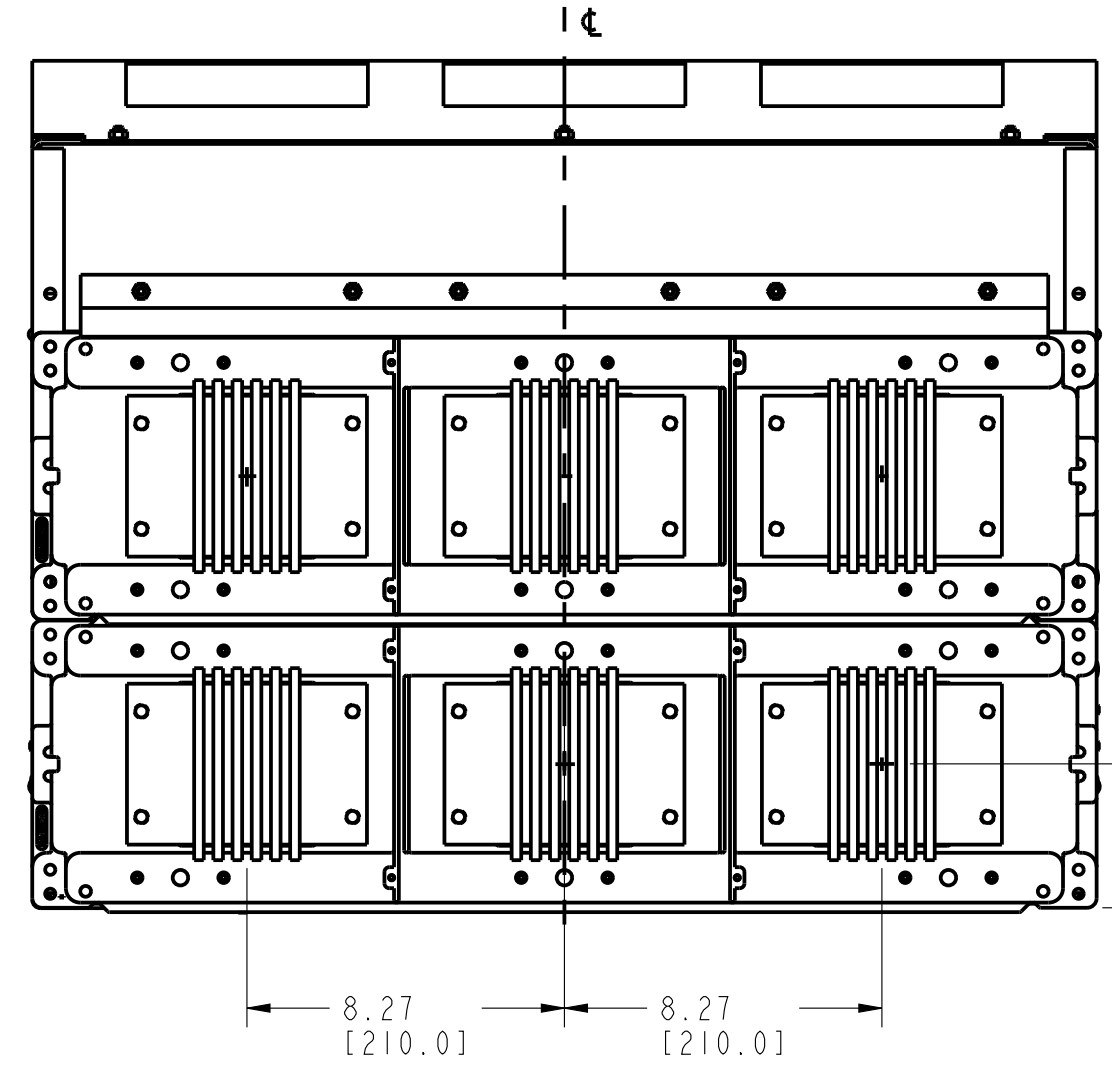
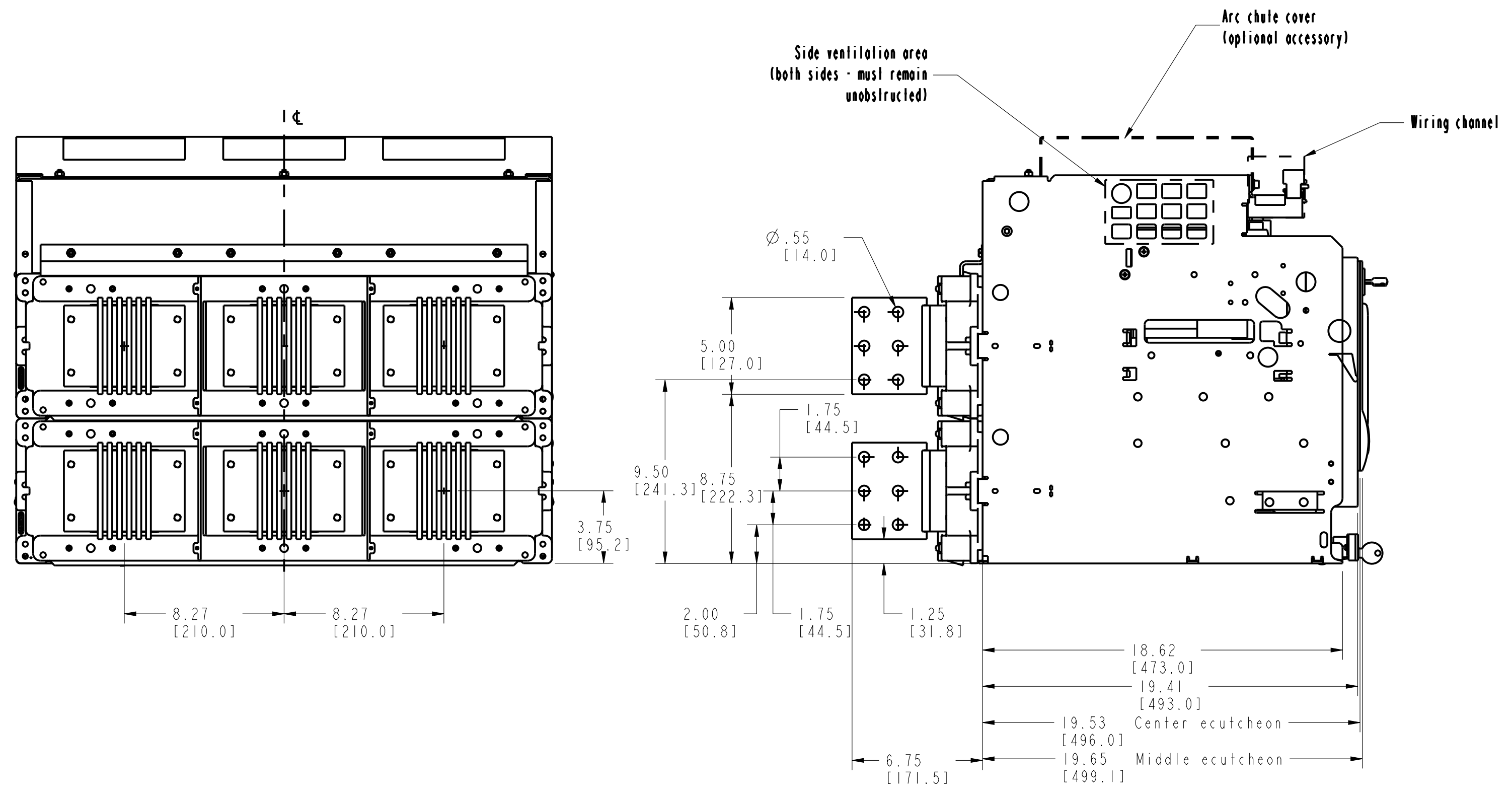
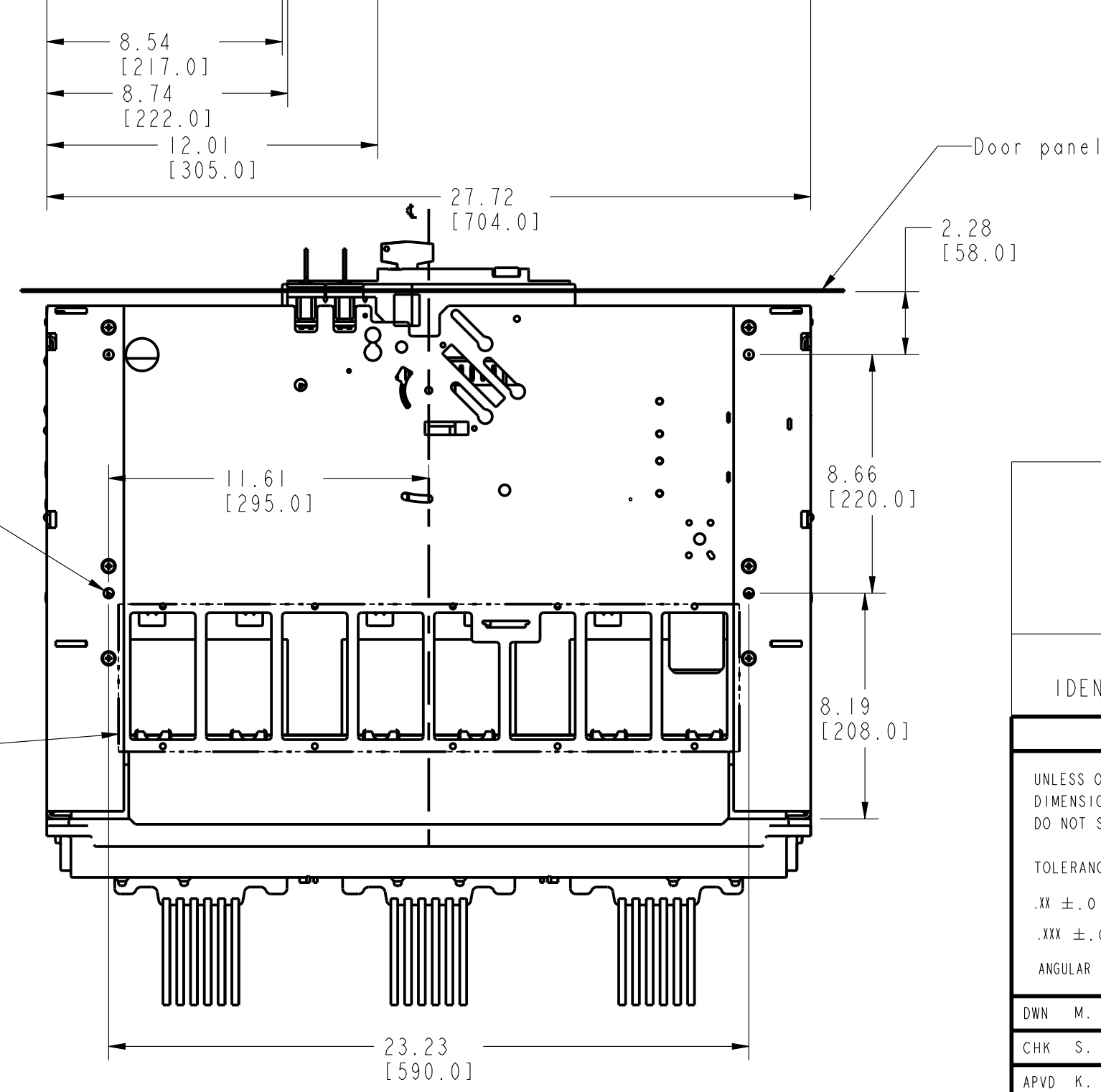
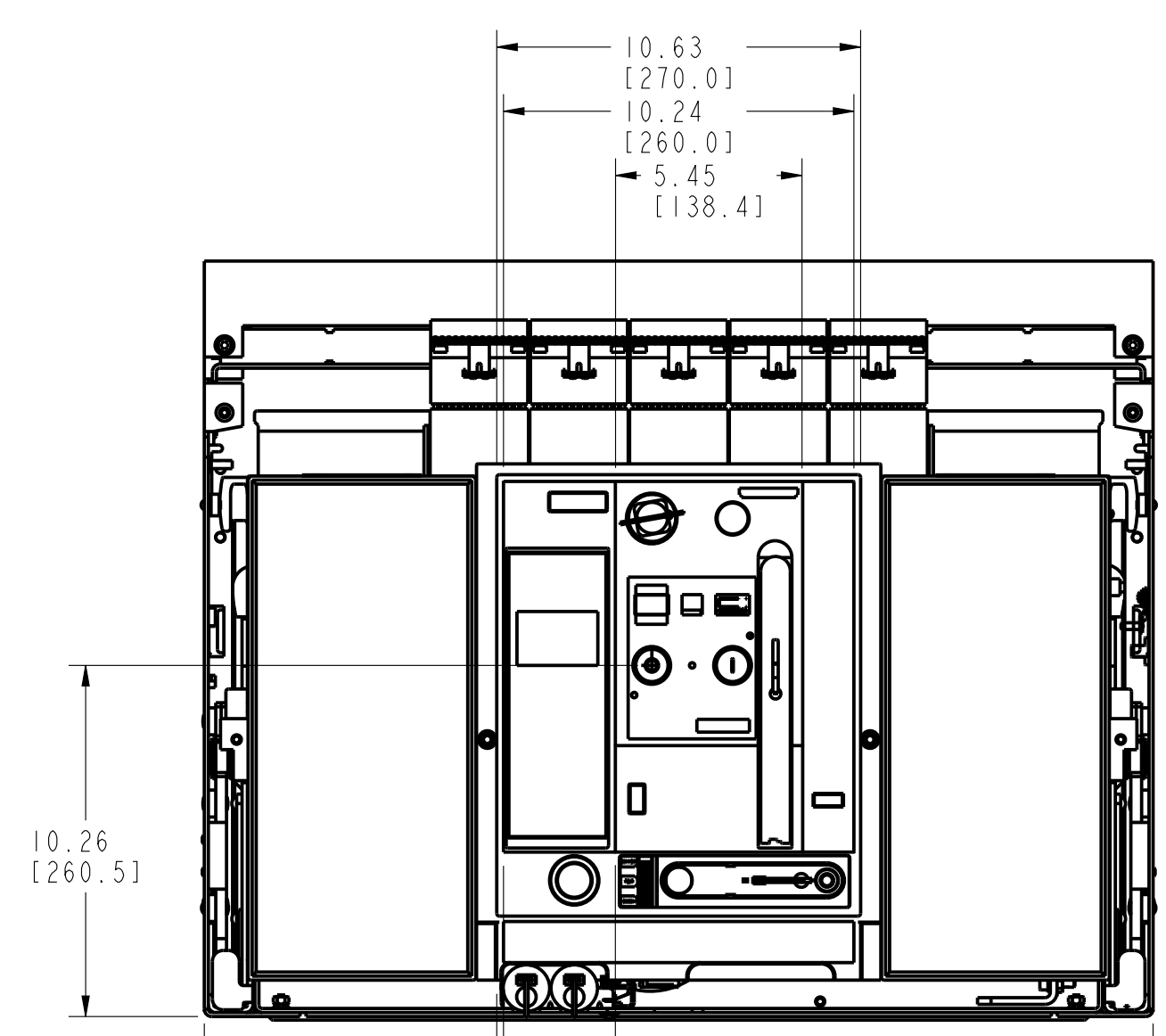
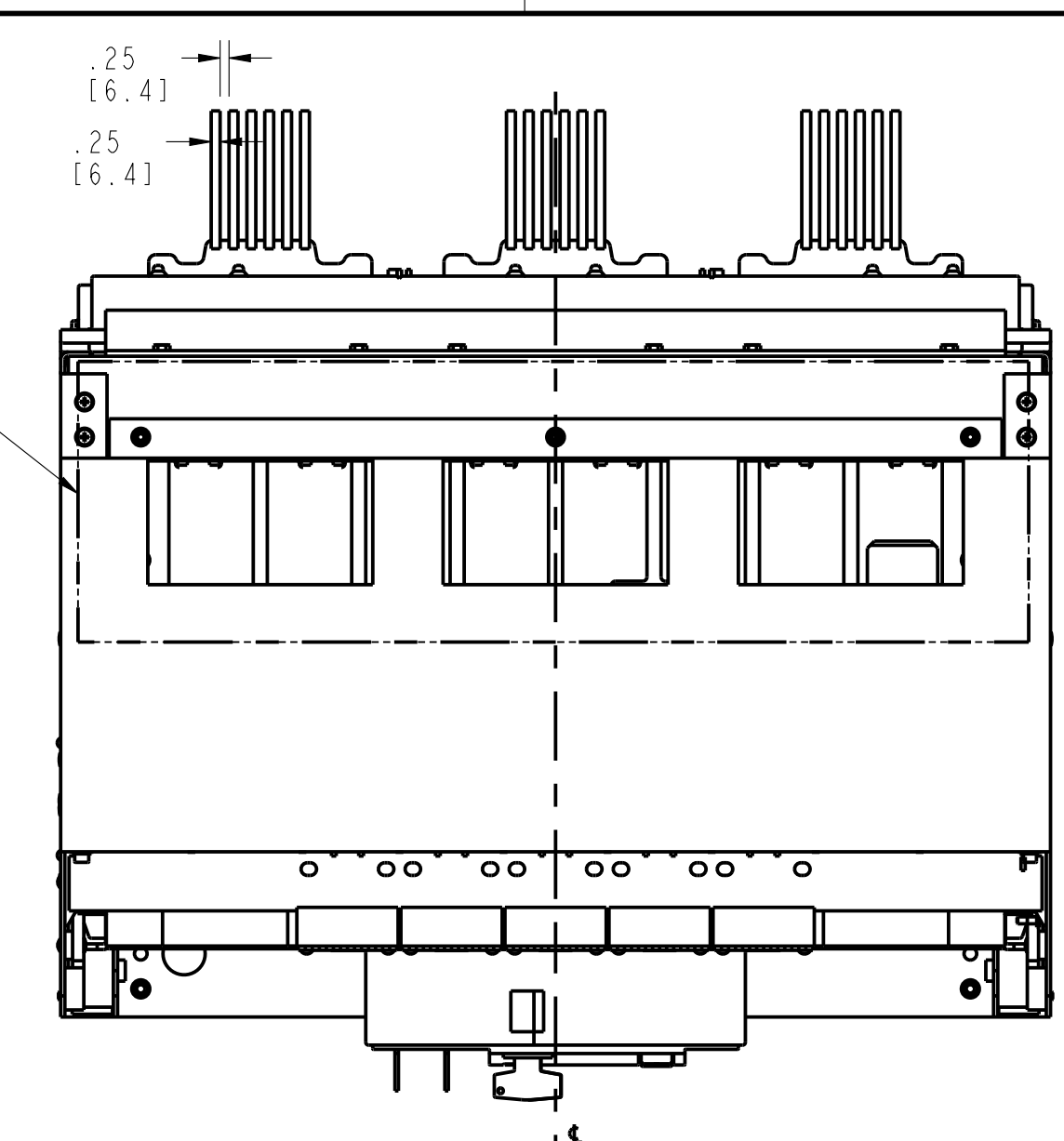


REVISIONS				
REV	ECN/MCR	DESCRIPTION	DATE CHANGED BY	APPROVED BY
OP		INITIAL PRELIMINARY RELEASE	07-01-15	M. Rodr



Top ventilation area
(must remain unobstructed)

Side ventilation area
(both sides - must remain unobstructed)

Arc chute cover
(optional accessory)

Wiring channel

Door panel

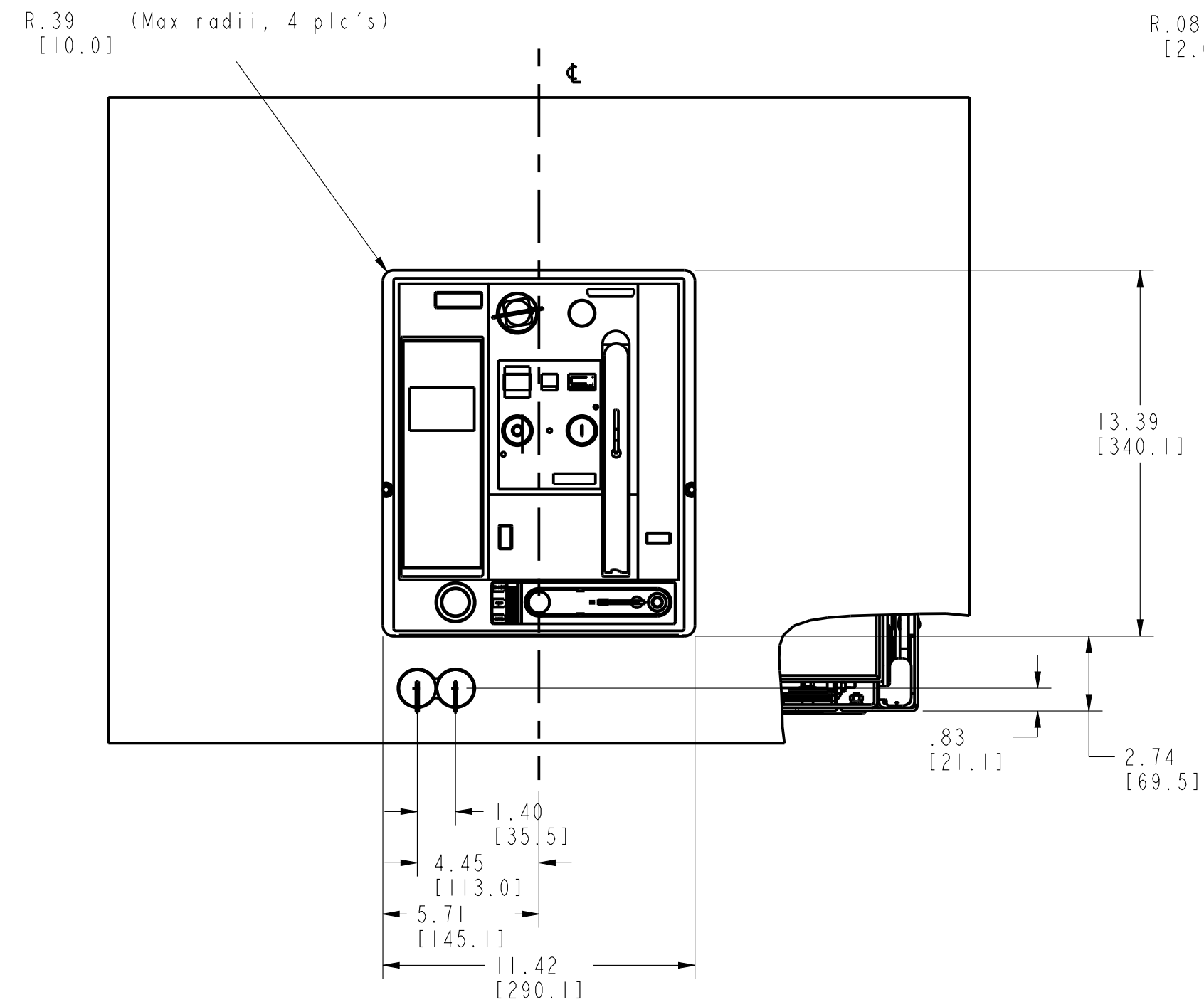
Bottom ventilation area
(to remain unobstructed
for 5000A circuit breakers)

814888	Drawing applicable for the following frames WLH3A340, WLH3A350, WLL3A340, WLL3A350, WLM3A332, WLM3A340, WLM3A350, WLF3A332, WLF3A340, WLF3A350, WLL3S340, WLL3S350, WLM3S332, WLM3S340, WLM3S350, WLF3S332, WLF3S340, WLF3S350
PART OR IDENTIFYING NO.	MATERIAL/SPECIFICATION

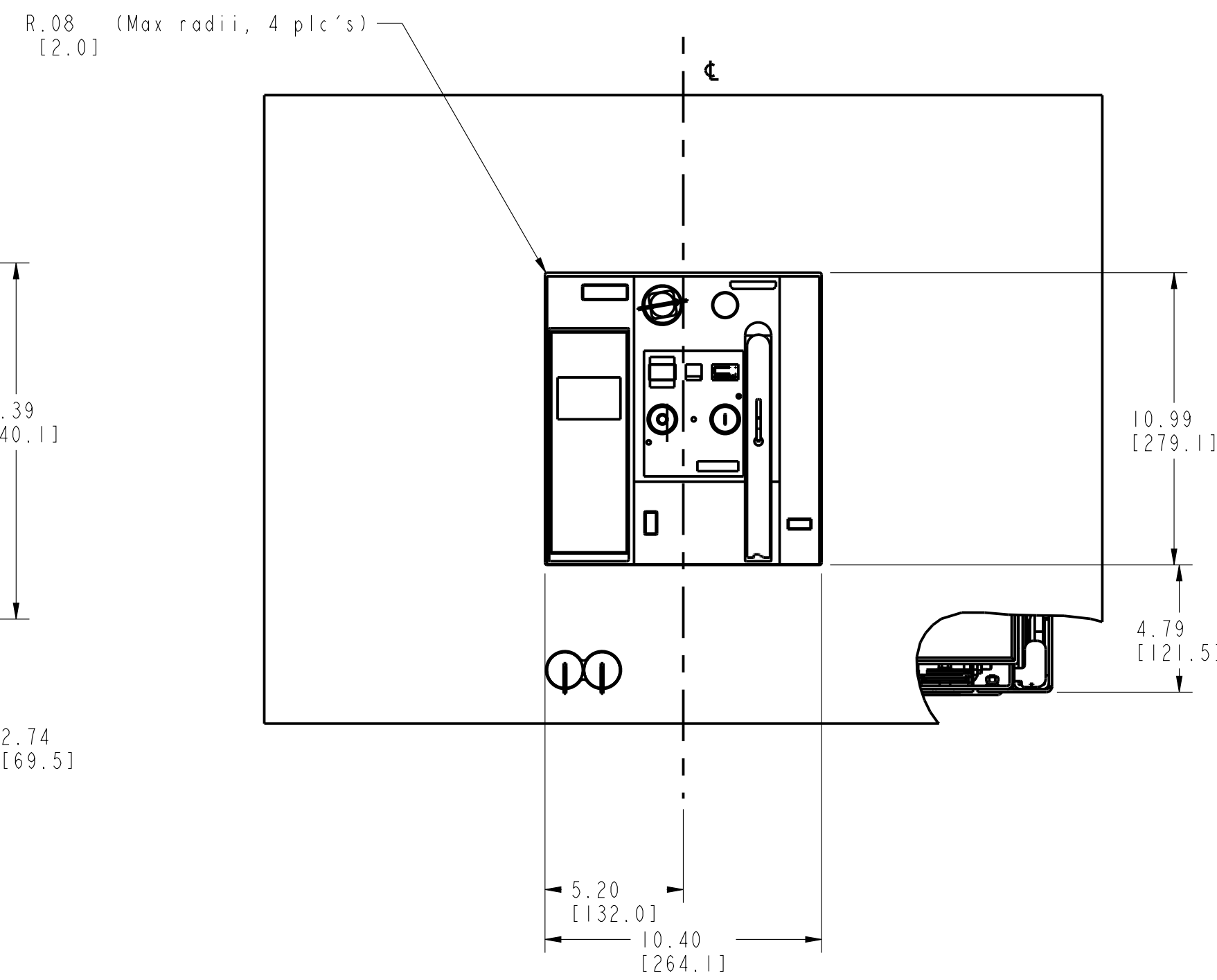
CONFIDENTIAL - PROPERTY OF Siemens Industry, Inc.				
Siemens Industry, Inc.				
UL 1066 FS3 Drawout 3P Classes H, L, M, & F				
TOLERANCES: .X ± .01 .XXX ± .005 ANGULAR ± 1.00	THIRD ANGLE PROJ.		SIZE	FSCM NO.
DWN M. Rodriguez	DATE 7-01-15	DWG NO.	814888	
CHK S. Puppala	DATE 7-06-15	SCALE 1:5	PROJ FILE 814888	REV. OP
APVD K. Flowers	DATE 7-10-15	SHEET 1 OF 2		

REVISIONS				
REV	ECN/MCR	DESCRIPTION	DATE CHANGED BY	APPROVED BY
OP		SEE CHANGES DESCRIPTION IN FIRST SHEET	07-01-15	M. Rodr

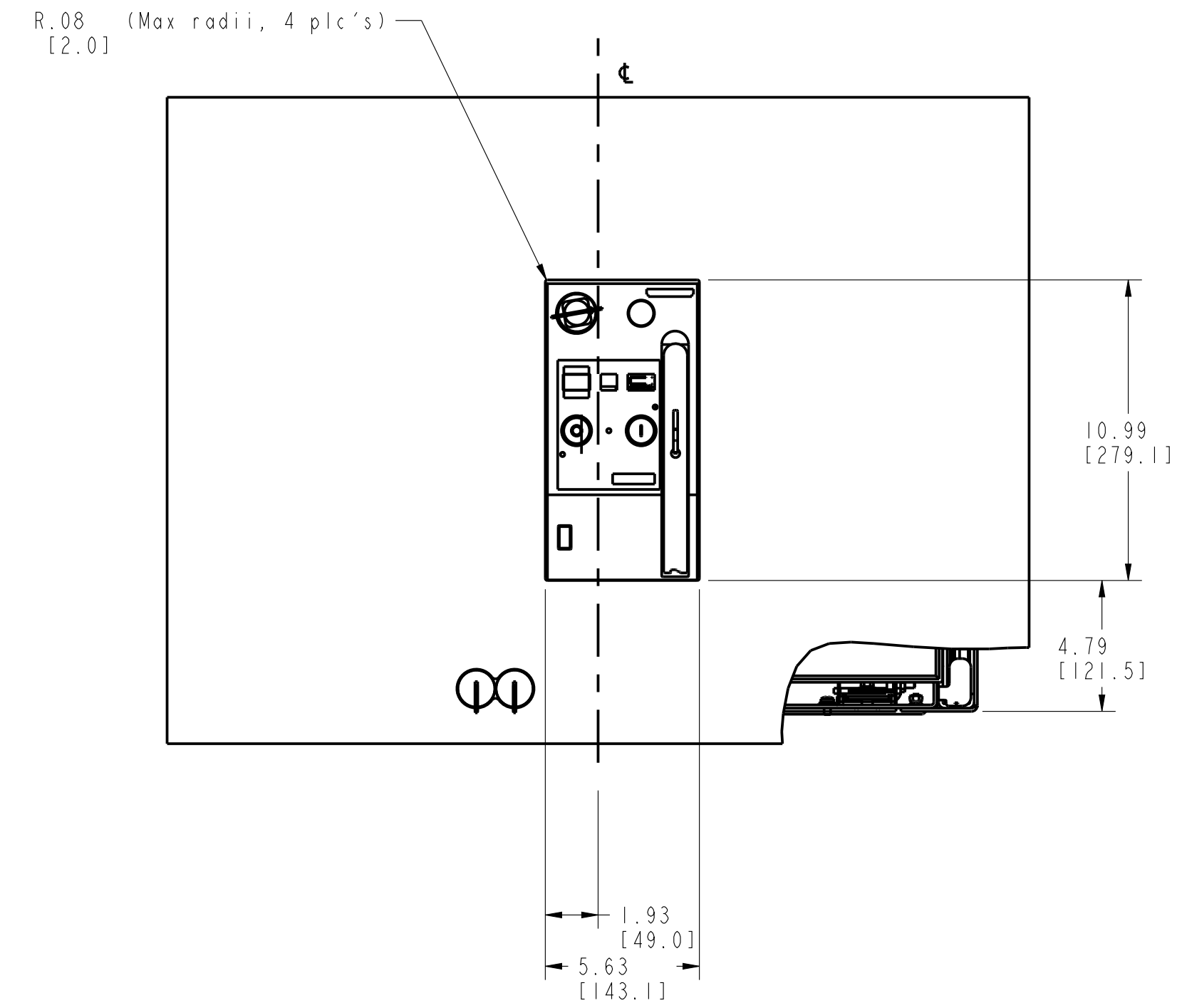
Door cut-out (with edge protector)
(Cut-out after mounting edge protector)



Door cut-out
(Middle escutcheon visible)

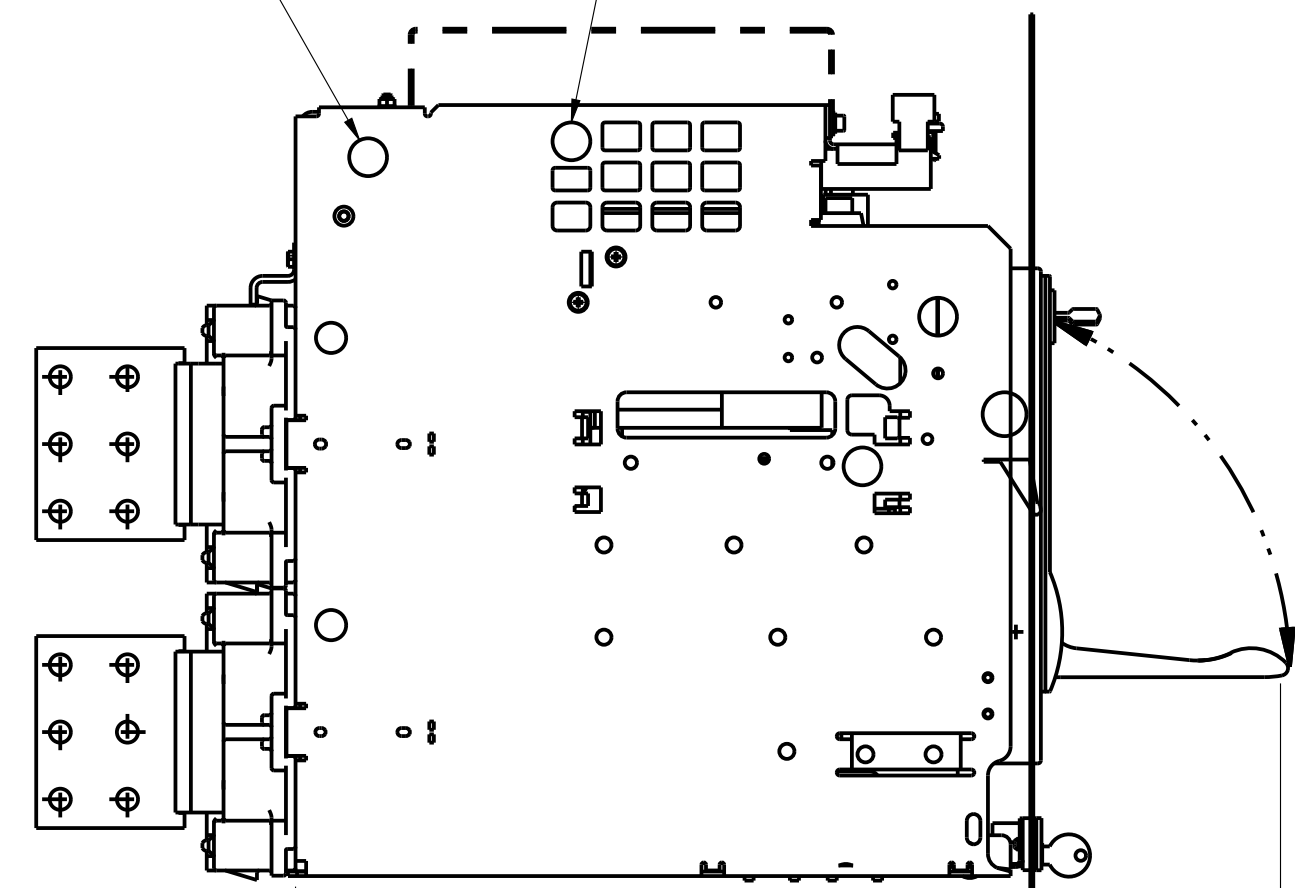


Minimal door cut-out
(Only center escutcheon visible)

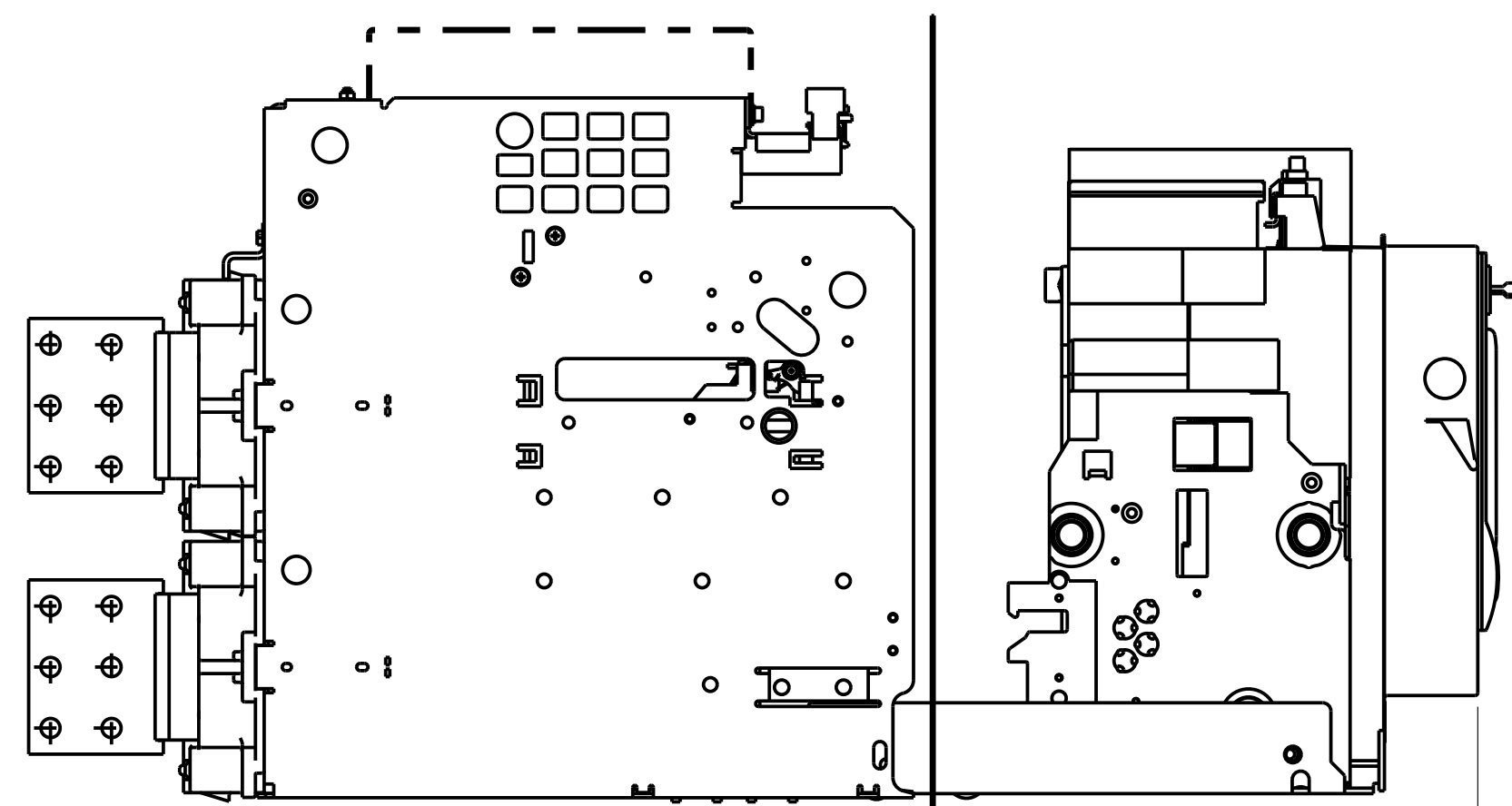


Lifting Point (Cradle only)
Do not lift by any other points.

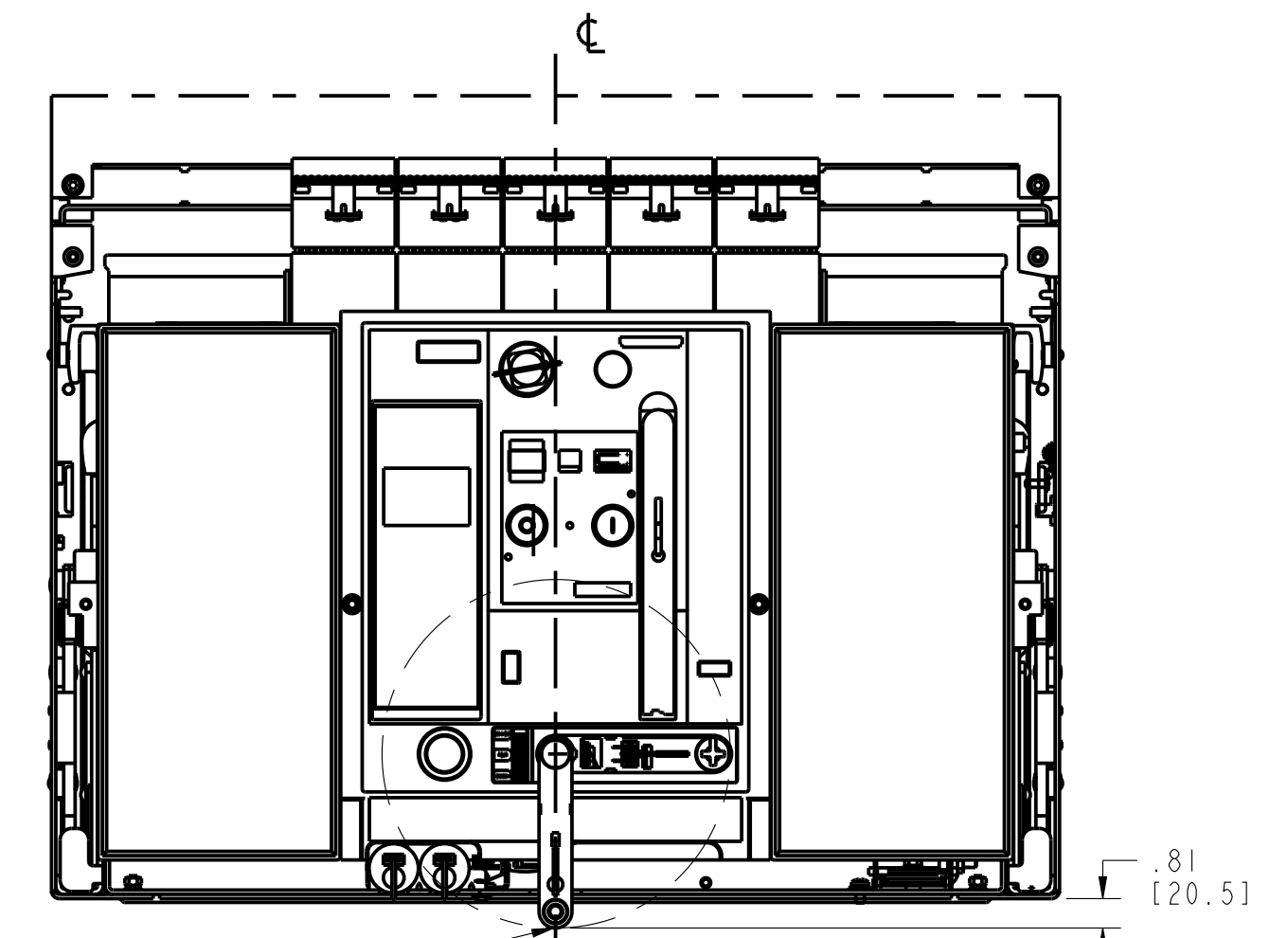
Lifting Point (Cradle and Breaker)
Do not lift by any other points.



Closed door racking



Withdrawn position



Minimum free space
for breaker racking

814888

PART OR
IDENTIFYING NO.

Drawing applicable for the following frames

WLH3A340, WLH3A350, WLL3A340, WLL3A350,
WLM3A332, WLM3A340, WLM3A350, WLF3A332,
WLF3A340, WLF3A350, WLL3S340, WLL3S350,
WLM3S332, WLM3S340, WLM3S350, WLF3S332,
WLF3S340, WLF3S350

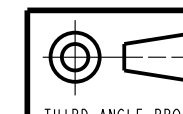
MATERIAL/SPECIFICATION

CONFIDENTIAL - PROPERTY OF Siemens Industry, Inc.

Siemens Industry, Inc.

UL 1066 FS3 Drawout 3P
Classes H, L, M, & F

TOLERANCES:
.X1 ± .01
ANGULAR ± 1.00



THIRD ANGLE PROJ.

DWN M. Rodriguez	DATE 7-01-15	SIZE	FSCM NO.	DWG NO.	REV.
CHK S. Puppala	DATE 7-06-15	D		814888	OP
APVD K. Flowers	DATE 7-10-15	SCALE 1:5	PROJ FILE 814888	SHEET 2 OF 2	