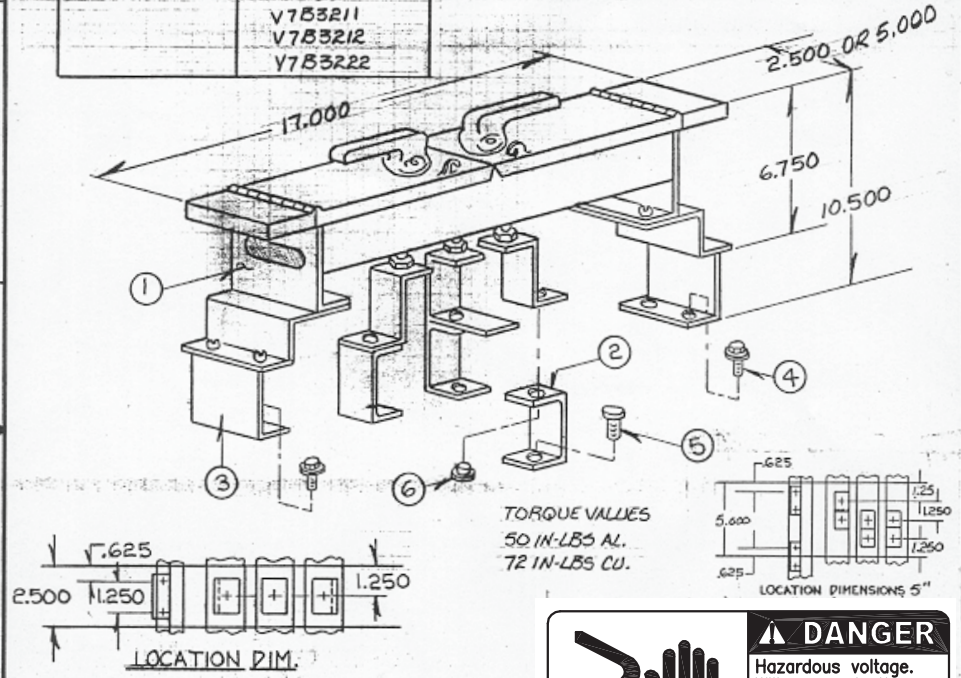


FOR FUSIBLE SWITCH CAT. NOS.

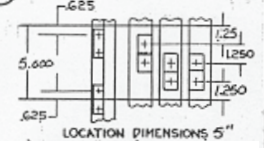
2 1/2" UNITS	5" UNITS
V7A2211 V7A3211	V7B2211 V7B2212 V7B2222 V7B3211 V7B3212 V7B3222

REVISIONS

REV	C.N.	DESCRIPTION	DATE	BY
0	1A036		8-26-88	JK
1	1A064	ADDED 5" UNITS	2-10-89	MS
2	1A924	ADDED F1 IN TITLE	5-24-91	RA
3	1B-908		4-20-95	RA



TORQUE VALUES
50 IN-LBS AL.
72 IN-LBS CU.



▲ DANGER

Hazardous voltage.
Will cause death or serious injury.

Keep out.
Qualified personnel only.
Disconnect and lock off all power before working on this equipment.

NOTE:
WHEN CONNECTING SWITCH BUS TO BRANCH A 5/16-18 INSERT (ITEM 6) IS REQUIRED IN ALUMINUM (ONLY) BRANCH BUS.

CONFIDENTIAL - Property of Siemens Industry, Inc.

Siemens Industry, Inc.
Norcross, GA

VACU-BREAK MOUNTING
▲ F1 BRANCH BUS KIT
5" 2.500" TWIN UNIT

UNLESS OTHERWISE SPECIFIED DIMENSIONS ARE IN INCHES TOLERANCES ARE NON-CUMULATIVE AND ARE AS FOLLOWS UNLESS SPECIFIED OTHERWISE. XX ± .030 XXX ± .015 ANGULAR ± 2° DO NOT SCALE DRAWING	DWN L. PAGE DATE 3-21-88 CHK R DATE 9-19-88 APVD SH DATE 9-20-88	SIZE FSCM NO. A	DWG NO. 11-B-2003-00	REV. 3
SCALE NTS	SHEET 1 OF 3			

FOR USE WITH 2.5" HIGH TWIN UNITS (30A) MOUNTED IN SPP/FPP/S5/F2/P5 PANELBOARDS (DEEP BOX).

Apvd SH 5-12-95	ITEM	DESCRIPTION	PC. NO.	QTY.
	1	FUSIBLE SWITCH	CAT. NO. *	1
	2	VACU-BREAK BRANCH BUS	11-7025-01	3
	3	VACU-BREAK MOUNTING BRACKET	11-6043-01	2
	4	1/4-20 X 3/8 SHWHSW	11-1553-02	4
	▲ 5	STRAP-BUS HARDWARE KIT	11-B-2022-05	1
	6	5/16-18 INSERT	11-1620-04	3
	7	NEUTRAL LUG ASSEMBLY	12-B-2105-01	1
	8			
	9			
	10	INSTRUCTION SHEET	31-1239-01	1
	11	CARTON LABEL	15-A-1027-01	1
	12	CARTON	48000989	1
	13			
	14			
	15			
	16			
	17			
	18			
	19			
	20			
	21			
	22			
	23			
	24			
	25			
	26			
	27			
	28			
	29			
	30			
	31			
	32			
	33			
	34			
	35			
	36	* VACU-BREAK CAT. NO. F602D		
	37	5" UNITS - FOR FUSIBLE SWITCH CAT. NOS.:		
	38	V7B2211, V7B2212, V7B2222, V7B3211, V7B3212,		
	39	V7B3222		
	Chk SH	40 FOR FUSIBLE SWITCH CAT. NOS.: 2.50 UNITS		
	5-12-95	41 V7A22211, V7A3211		
	By RAW	42		
	5-15-95	43		
		44 MERCHANDISE KIT NO. F602D		
Confidential - property of Siemens Industry, Inc. Norcross, GA		VACU-BREAK MOUNTING COPPER BRANCH BUS F2	11-B-2003-03 Dwg No.	4 Rev.
		Title	Sht. 1 Of 1	