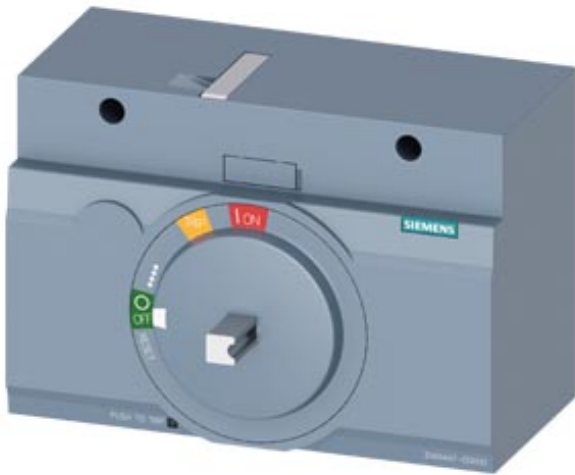





ROTARY OPERATOR WITH SHAFT STUB WITHOUT HANDLE
FOR RETROFIT 8UC ACCESSORY FOR: 3VA6 400/600



Model	
Product brand name	SETRON
Product designation	Accessories
Design of the product	Rotary operating mechanisms with shaft stub
accessories	ROTARY OPERATING MECHANISM WITH SHAFT STUB

Mechanical Design	
Height	94 mm
Width	138 mm

Certificates			
General Product Approval	EMC	Declaration of Conformity	other
			Miscellaneous



RCM



EG-Konf.

[Miscellaneous](#)

Further information

Information- and Downloadcenter (Catalogs, Brochures,...)

<http://www.siemens.com/lowvoltage/catalogs>

Industry Mall (Online ordering system)

<https://mall.industry.siemens.com/mall/en/en/Catalog/product?mlfb=3VA9447-0GK00>

Service&Support (Manuals, Certificates, Characteristics, FAQs,...)

<https://support.industry.siemens.com/cs/ww/en/ps/3VA9447-0GK00>

Image database (product images, 2D dimension drawings, 3D models, device circuit diagrams, ...)

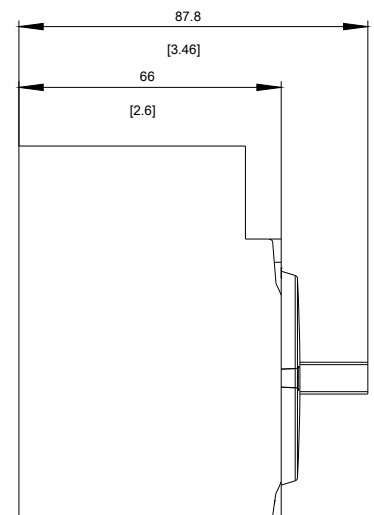
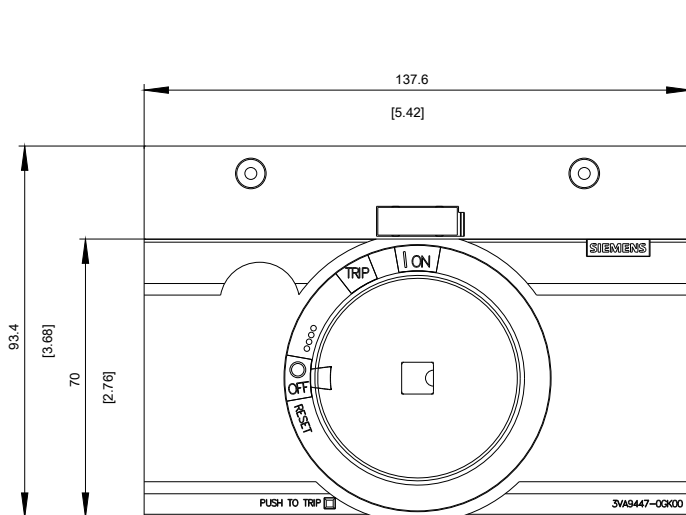
http://www.automation.siemens.com/bilddb/cax_en.aspx?mlfb=3VA9447-0GK00

CAX-Online-Generator

<http://www.siemens.com/cax>

Tender specifications

<http://www.siemens.com/specifications>



last modified:

11/17/2017