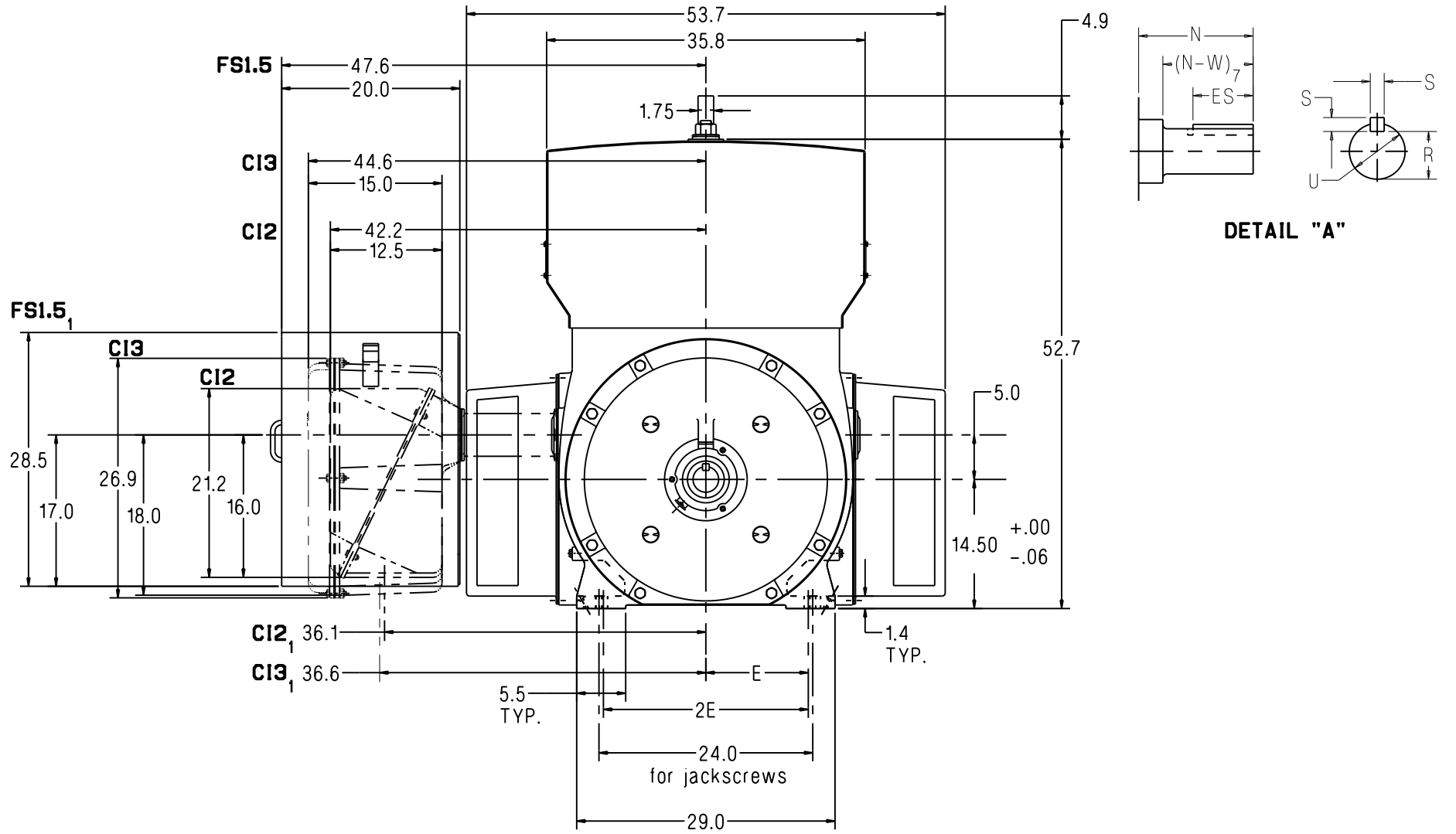
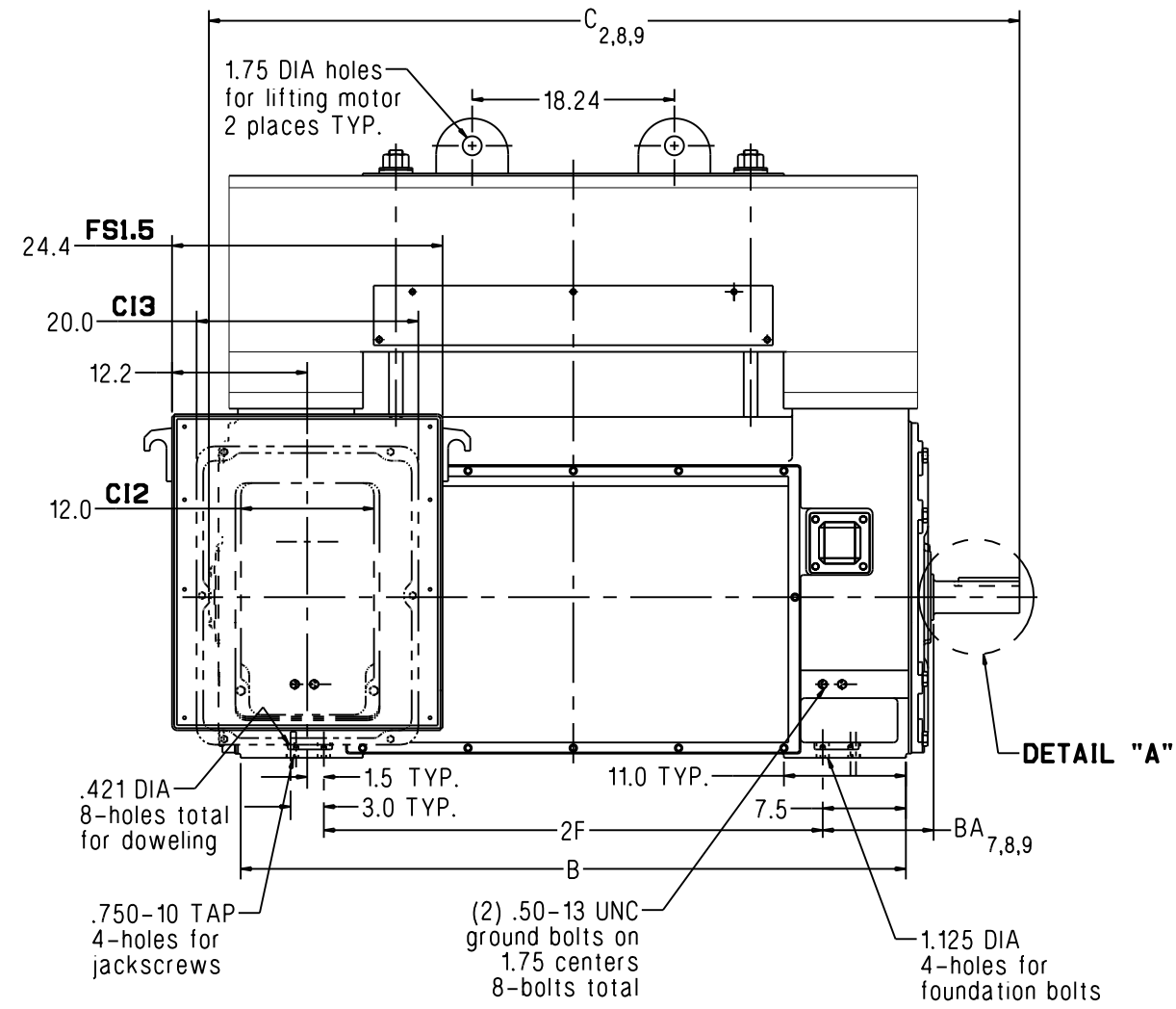


Dimension Prints for Above NEMA Motors



- Notes:
- Main conduit box may be rotated in steps of 90°. A removable bottom plate is supplied on the FS1.5 conduit box. A 5.0 N.P.T. is supplied on the CI2 and CI3 conduit boxes. A 10.75" spacer is supplied on the 5812 frame for all rotatable conduit boxes.
 - C = Length of motor from drive end of shaft to end of non-drive end of motor.
 - $V = (N-W) - 0.25$ = length of shaft available for coupling. Note: When adding a rotating labyrinth seal, (N-W) will change so V will change accordingly.
 - Machines may rotate in either direction.
 - Shims may be necessary under motor feet for direct connection.
 - Short shaft or Long shaft is for direct connection only.
 - Adding a rotating labyrinth seal to the drive end increases BA and decreases (N-W) by:
4 Pole: 0.28" Long Shaft 4 Pole: 0.28"
 - Adding a ground brush increases BA and C by:
4 Pole: 2.50" Long Shaft 4 Pole: 2.50"
 - Adding a ground brush with rotating labyrinth seal increases BA and C by:
4 Pole: 2.75" Long Shaft 4 Pole: 2.75"
 - 2 Pole Machine limited to maximum of 1750 HP.

Standard Dimensions in Inches

Shaft	Frame	Speed	B	BA _{7,8,9}	C _{2,8,9}	E	2F	N	(N-W) ₇	R	S	U	V ₃	ES	Approx. Ship Wt. (Lbs)
Short ₁₀	5812S	2 Pole	60.0	10.00	72.0	11.50	45.0	7.00	6.75	2.450	0.750	2.875	6.50	5.0	8400
Short	5812S	4 Pole	60.0	10.00	73.2	11.50	45.0	8.25	8.00	3.436	1.000	4.000	7.75	6.0	8400
Long	5812	4 Pole	60.0	10.00	79.8	11.50	45.0	14.90	14.62	4.169	1.250	4.875	14.38	13.0	8400

Certification: Customer _____ P.O. _____ S.O. _____ Item _____
 HP _____ RPM _____ Frame _____ PH/HZ/Volts 3/_____/_____
 By _____ Date _____ Terminal Box Size CI2 CI3 FS1.5
 Comments _____
 Not for construction, installation or application purposes unless certified.