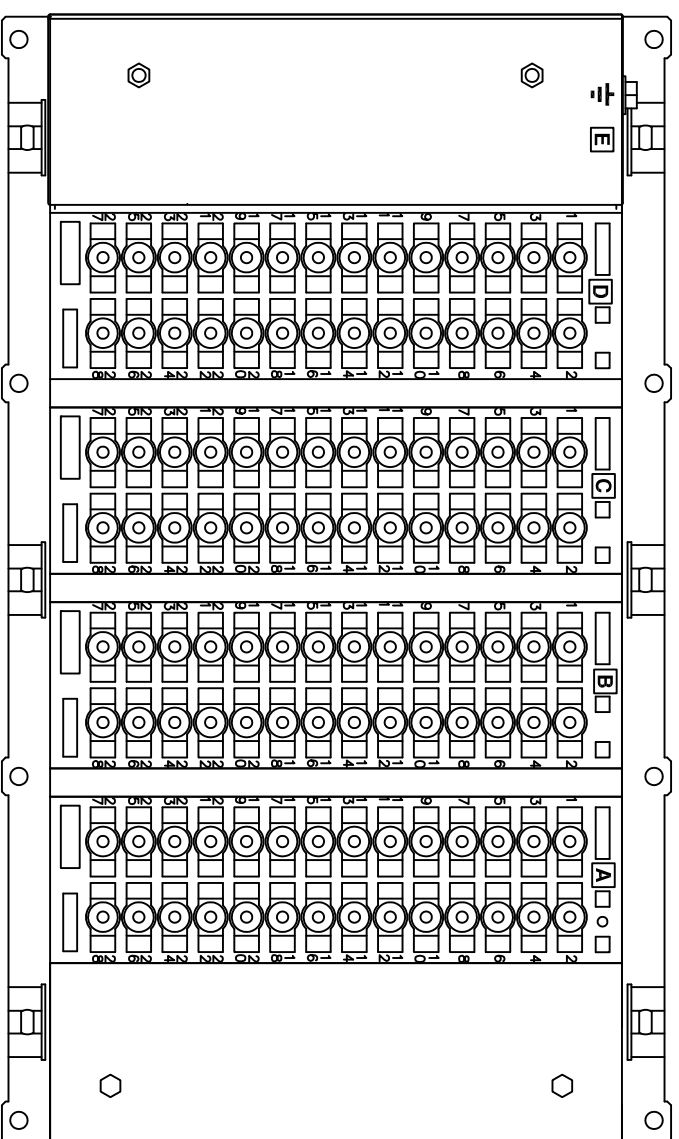


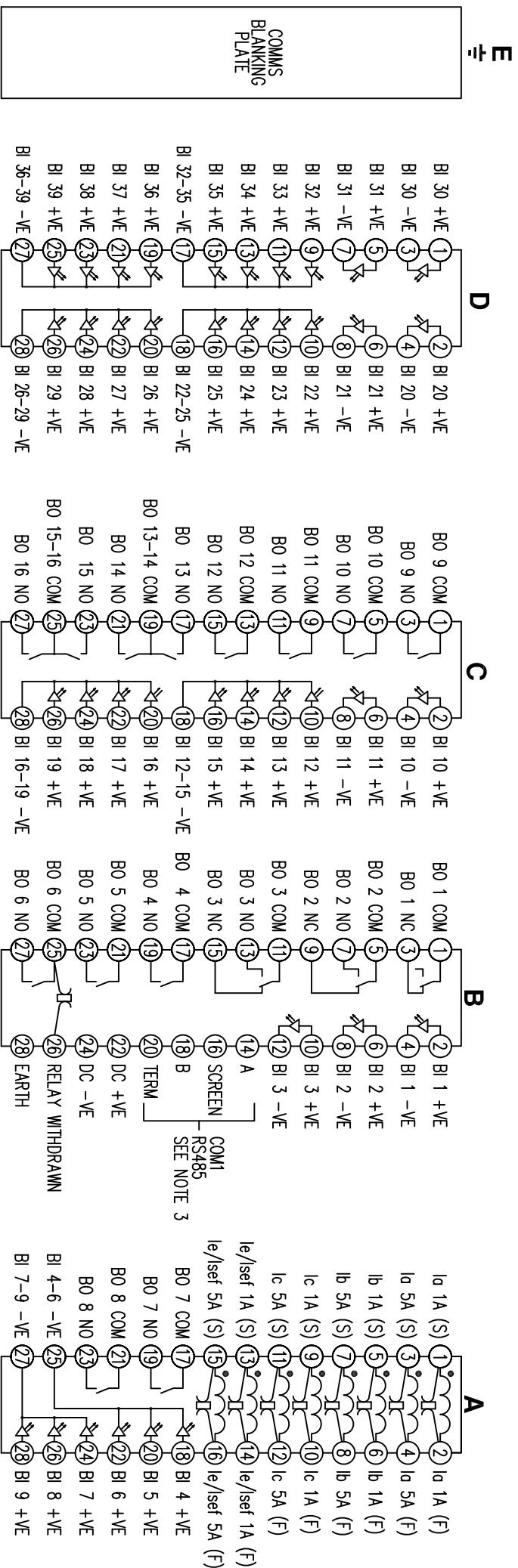
IF IN DOUBT ASK  
DO NOT SCALE

ABBREVIATIONS	
I-	CURRENT INPUTS
V-	VOLTAGE INPUTS
BI-	BINARY INPUTS
BO-	BINARY OUTPUTS
CO-	CHANGE OVER BINARY OUTPUT CONTACTS
NO-	NORMALLY OPEN BINARY OUTPUT CONTACTS
NC-	NORMALLY CLOSED BINARY OUTPUT CONTACTS

COMMUNICATIONS IDENTIFICATION	
COM1	RS485 (ON BLOCK 'B' TERMINALS 14,16,18 & 20)
COM2	USB TYPE 'B' PORT (ON RELAY FRONT LABEL)



RELAY VIEWED FROM REAR



**FOR INTERNAL USE ONLY  
UNCONTROLLED COPY  
NOT SUBJECT TO UPDATE**

- NOTES
- 1) TERMINALS RECOMMENDED ARE PRE-INSULATED & MUST BE CRIMPED USING APPROVED TOOLING. AMP PIDG OR PLASTI GRIP FUNNEL ENTRY (RING TONGUE) FOR M4 FIXING STUD.
  - 2) FOR OUTLINE & PANEL DRILLING, SEE 2995X10012 (A4).
  - 3) CONNECTIONS TO THIS COMMUNICATIONS FACILITY IS BY SCREENED, TWISTED PAIR CABLE ON SITE. WHEN WIRING OTHER FACILITIES ENSURE THAT THESE TERMINALS ARE NOT OBSCURED BY OTHER WIRE RUNS.
  - 4) CONTACTS SHOWN THUS ARE INTERNAL RELAY CASE ASSEMBLY AND CLOSE WHEN THE RELAY CHASSIS IS WITHDRAWN FROM THE CASE.
- | SUPPLIER | PART NUMBER | CABLE SIZE              |
|----------|-------------|-------------------------|
| AMP      | 342103      | 0.25-1.6mm <sup>2</sup> |
| AMP      | 342143      | 1.0-2.6mm <sup>2</sup>  |
- OR ANY OTHER MANUFACTURERS EQUIVALENT TERMINAL.

**MATERIAL:**

Dimensions in millimetres : Surface texture in micrometres.  
Machine where marked  $\nabla$   
For explanation of dimensions, tolerances, notes etc. see B.S.308.  
Limit on untoleranced unmachined dimensions  $\pm$  \_\_\_\_\_  
Limits on untoleranced machined dimensions to B.S.4500:  
i.e. up to 6 $\pm$ 0.1; over 30 to 120 $\pm$ 0.3; over 315 $\pm$ 0.8;  
over 6 to 30 $\pm$ 0.2; over 120 to 315 $\pm$ 0.5;  
General unmachined angular tolerance  $\pm$  \_\_\_\_\_

Finish: \_\_\_\_\_  
Treatment: \_\_\_\_\_

Title: \_\_\_\_\_  
TERMINAL ID & WIRING DIAGRAM FOR RM PLATFORM  
(41,39BI,2C0,13NO,1NC,RS485) E12 CASE

Original Scale: \_\_\_\_\_  
Drg. No. **2435W40146**

Copyright © 2017 Siemens Protection Devices Ltd. Hebburn

ISSUE	DATE	CHANGED
1	06/02/17	

DRAWN	J SPOWART	CHECKED		APPROVED	N.C	DATE	22/02/2017	IE	OPS	PCP	Purch.Spec.	TQ	EAC	CE	STD	A3
-------	-----------	---------	--	----------	-----	------	------------	----	-----	-----	-------------	----	-----	----	-----	----