

SIEMENS

Siemens Energy & Automation, Inc.
Bellefontaine, Ohio 43311 U.S.A.



© Siemens Energy & Automation, Inc. 2000

Item: TC1-J6600

For Use with: JXD, LXD, JF, LF, JM
& LM FRAME CIRCUIT BREAKERS,
MOLDED CASE SWITCHES, &
MOTOR CIRCUIT INTERRUPTERS.
(See Types Below)

Page 1 of 1

Pc. No. 63306B02

Installation Instructions



DANGER

Hazardous Voltage
Will cause death or serious injury.

Turn off and lock out power supply
before working on circuit breaker.

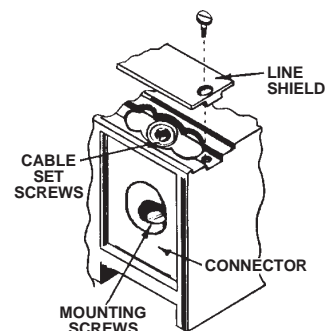


SAFETY INSTRUCTIONS

This kit contains a solderless connector and associated hardware for making (1) line or load connection on: JD Frame Types JXD2(-A), JXD6(-A), HJXD6(-A), HHJXD6, and CJD6(-A). LD Frame Types LXD6(-A), HLXD6(-A), HHLXD6, and CLD6(-A). ETI Motor Circuit Interrupters Types JXD6(-A) ETI, CLD6(-A) ETI, and CLD6(-A) ETI. Solid State Molded Case Circuit Breaker Sentron Series III: JD Frame Types SJD6(-A), SHJD6(-A), SCJD6(-A), and JDFP(-A); LD Frame Types SLD6(-A), SHLD6(-A), and LDFP(-A); JF Frame Types JFF & JFC. LF Frame Types LFF & LFC. JM/LM Frame Types JM6, JMK, LM6, LMK.

Note: The terminals have been tested per UL-486A with standard stranded cable.

1. Turn off and lock out power supply before working on circuit breaker.
2. Trip unit must be installed in breaker prior to mounting load end connector.
3. Remove line shield.
4. Place connector on circuit breaker terminal. Position so slots on the connector engage terminal tabs.
5. Pass mounting screw through connector and thread screw into circuit breaker terminal. Tighten mounting screw to 226 In.-Lbs.[25.53 N/m] to securely attach connector.
6. Carefully remove 1-1/16" of insulation from end of wire cable and fully insert bare end of wire into connector (see cable range table for correct size).
7. Insert and tighten cable set screws (see illustration) securely to prevent overheating of conductor and connector. Tighten set screws to 500 in. lbs.[56.49 N/m]
8. Replace line shield.



Cable Range:
(1) 3/0-600 kcmil Cu.