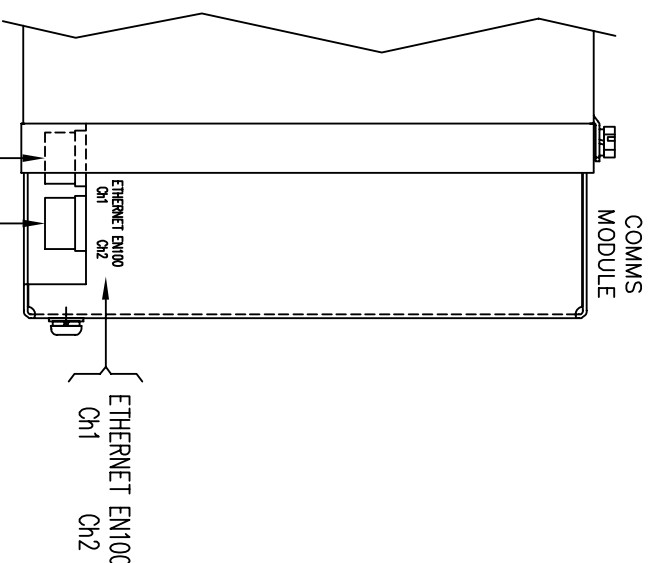
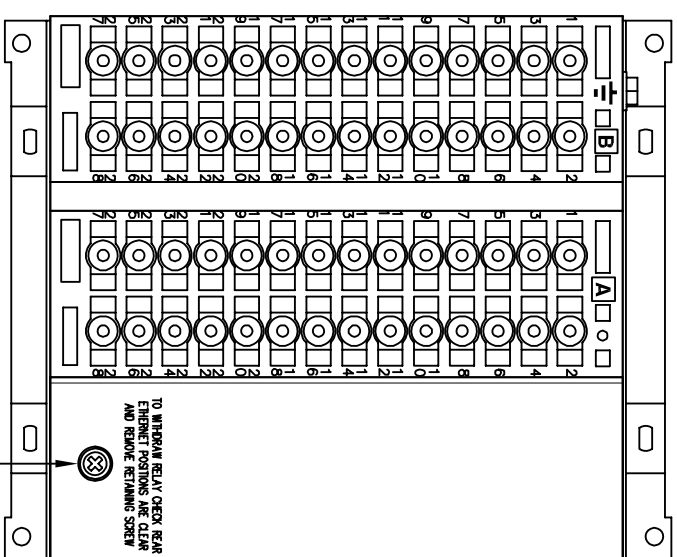


1 IF IN DOUBT ASK
2 DO NOT SCALE

3 4 5 6 7 8



- NOTES
- 1) TERMINALS RECOMMENDED ARE PRE-INSULATED & MUST BE CRIMPED USING APPROVED TOOLING. AMP PIDG OR PLASTI GRIP FUNNEL ENTRY (RING TONGUE) FOR M4 FIXING STUD.
 - 2) FOR OUTLINE & PANEL DRILLING, SEE 2995X10020 (A4).
 - 3) CONNECTIONS TO THIS COMMUNICATIONS FACILITY IS BY SCREENED, TWISTED PAIR CABLE, ON SITE. WHEN WIRING OTHER FACILITIES ENSURE THAT THESE TERMINALS ARE NOT OBSCURED BY OTHER WIRE RUNS.
 - 4) CONTACTS SHOWN THUS ARE INTERNAL RELAY CASE ASSEMBLY AND CLOSE WHEN THE RELAY CHASSIS IS WITHDRAWN FROM THE CASE.
 - 5) THE ETHERNET PORTS CAN BE EITHER -
2 x FIBRE OPTIC OR 2 x ELECTRICAL.
- | SUPPLIER | PART NUMBER | CABLE SIZE |
|----------|-------------|-------------------------|
| AMP | 342103 | 0.25-1.6mm ² |
| AMP | 342143 | 1.0-2.6mm ² |
- OR ANY OTHER MANUFACTURERS EQUIVALENT TERMINAL.

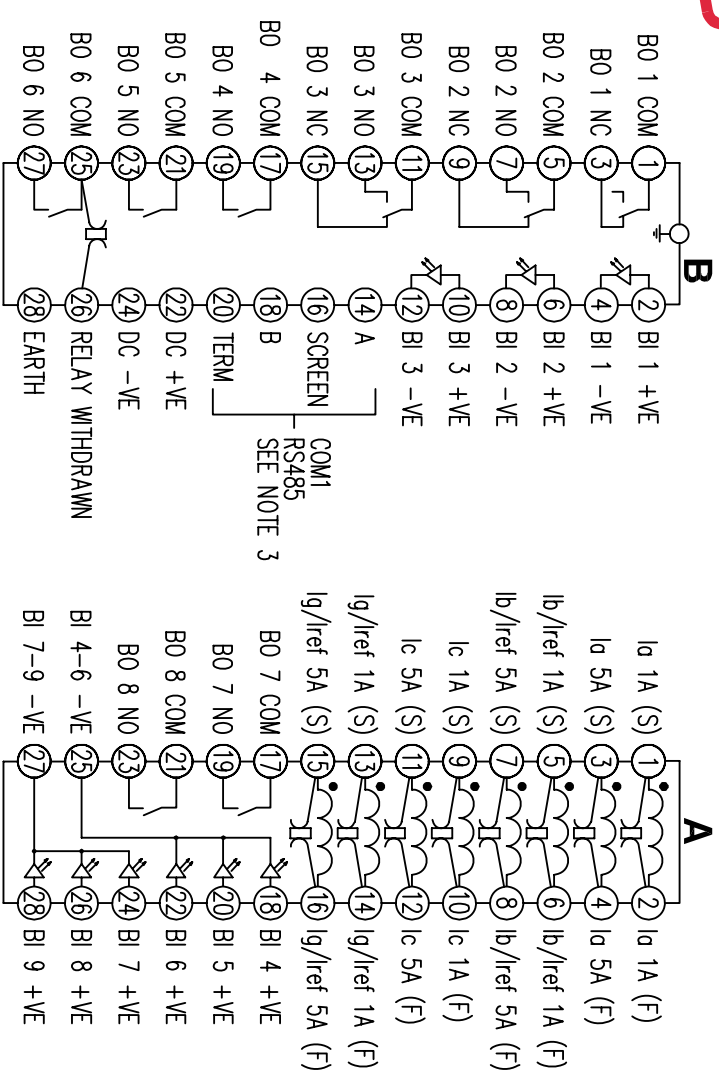
NOT SUBJECT TO UPDATE
ONCE COPIED / PRINTED
OR DOWNLOADED

ABBREVIATIONS

I	-CURRENT INPUTS
BI	-BINARY INPUTS
BO	-BINARY OUTPUTS
CO	-CHANGE OVER BINARY OUTPUT CONTACTS
NO	-NORMALLY OPEN BINARY OUTPUT CONTACTS
NC	-NORMALLY CLOSED BINARY OUTPUT CONTACTS

COMMUNICATIONS IDENTIFICATION

COM1	RS485 (ON BLOCK 'B' TERMINALS 14,16,18 & 20)
COM2	USB TYPE 'B' PORT (ON RELAY FRONT LABEL)
COM3	ETHERNET(x2) PORTS (ON REAR COMMS MODULE)



Copyright © 2012 Siemens Protection Devices Ltd. Hebburn

IF IN DOUBT ASK Printed on 27/04/2020 DATE		
2 RDW	18.07.13	RETAINING SCREW POSITION CHANGED.
30/7/13	18.07.13	MIN435/3650, 3JH770, KB
1	26/01/12	CHANGE NOTED

MATERIAL:

Dimensions in millimetres : Surface texture in micrometres.
Machine where marked ∇

For explanation of dimensions, tolerances, notes etc. see B.S.308.
Limit on untoleranced unmachined dimensions \pm _____

Limit on untoleranced machined dimensions to B.S.4500:
i.e. up to 6 \pm 0.1; over 30 to 120 \pm 0.3; over 315 \pm 0.8.

General unmachined angular tolerance \pm _____

DRAWN K.B. CHECKED RD.WATSON APPROVED RD.WATSON

Finish: _____
Treatment: _____

Title:
TERMINAL ID & WIRING DIAGRAM FOR 7SR23(DAD)
4I, 9BI, 2C0,5NO,1NC, RS485, ETHERNET(x2), E6 CASE

SIEMENS PROTECTION DEVICES LTD.

Original Scale.

NTS

Drg. No.

2414W40005

DATE 15/02/2012 IE OPS PCP Purch. Spec. TQ EAC STD A3