

CATALOG NUMBER

**EC38599**

**electriCenter**  
ACCESSORIES

**2" Hub**

Same As:

- S38599-2
- RX200     ■ WRX200



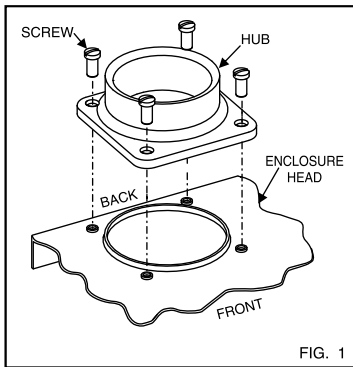
## INSTALLATION INSTRUCTIONS

	<b>⚠ DANGER</b>
	<b>Hazardous Voltage.</b> Will cause death, serious injury or substantial property damage.

Turn off power supplying this  
equipment before working inside.

### **⚠ SAFETY INSTRUCTIONS**

**Note:** This instruction outlines the recommended installation procedure.



1. Turn off and lock off the power supplying this enclosure before working inside.
2. Attach hub to enclosure head with the four (4) screws provided. Tighten screws to 35-40 lb.-in.