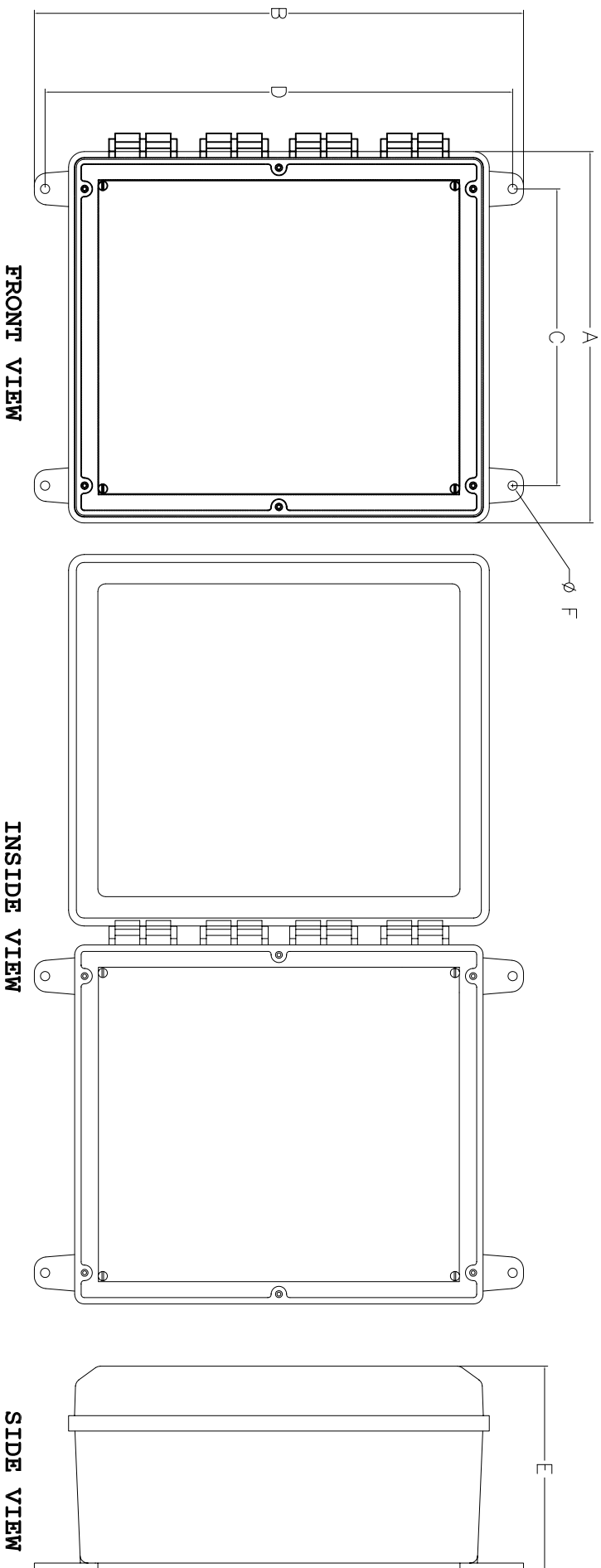



**TVSS DIMENSIONS AND WEIGHTS
NEMA TYPE 4X PLASTIC**



NOTES:
 BOX FOR TYPE 1, 4, AND 4X: GRAY COMPOSITE PLASTIC
 COVER FOR TYPE 1, 4, AND 4X: CLEAR POLYCARBONATE
 ENCLOSURE ALSO MEETS NEMA TYPE 1 AND 4

CONFIGURATION	DIMENSIONS INCHES (MILLIMETERS)							
	A	B	C	D	E	F	G	H
TPS14	15.00 (385)	20.00 (513)	12.00 (308)	19.00 (487)	8.40 (215)	.375 (10)	NA	NA

DEVICE WEIGHT 35LB (16KG) MAX

 <p>ADVANCED PROTECTION TECHNOLOGIES</p>	DWG NO. 43ATPS14M4XPLASTIC SERIES TPS14
---	--