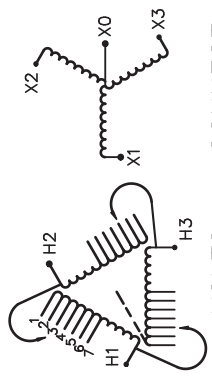




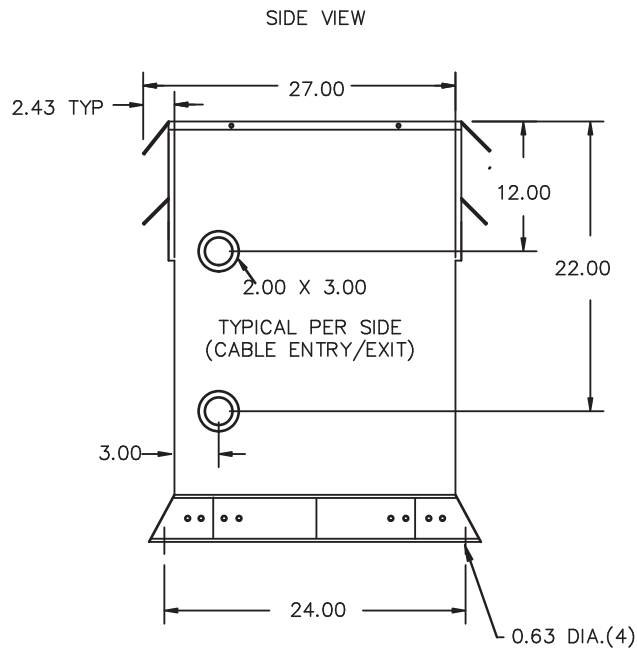
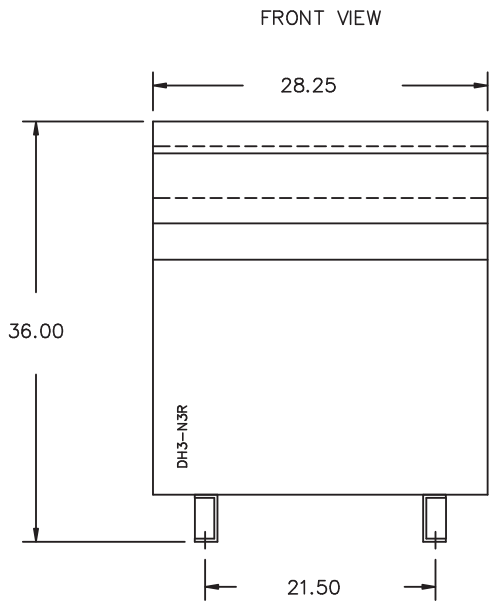
REVISION	DATE	BY	DATE	BY
			16/06/29	PP

Confidential - Property of Siemens Industry, Inc.	
CUSTOMER	
ORDER NO.	DWG. NO.
	3F3Y112D16BA
	SH 1 OF 2

SIEMENS

<p>CATALOG NO. 3F3Y112D16BA</p> <p>SERIAL NO. SERIES H</p> <p>112.5 kVA 60 Hz 3 PHASE</p> <p>5.6 % IMP AT 170 °C</p> <p>150 °C RISE 30 °C AVG. AMBIENT</p> <p>220 °C TEMP CLASS 40 °C MAX. AMBIENT</p> <p>PRIMARY (H1 H2 H3) 480V V 10 kV BIL</p> <p>SECONDARY(X0 X1 X2 X3) 208Y/120V V 10 kV BIL</p> <p>WINDING MATERIAL AL</p> <p>ENCLOSURE TYPE 3R WEIGHT 730 LBS</p> <p>ENERGY EFFICIENCY EXCEEDS CSA C802.2-2012 DOE 10 CFR PART 431:2016</p> <p>SPACINGS BETWEEN ANY VENTILATED ENCLOSURE PANEL AND ANY ADJACENT WALL SHALL BE A MINIMUM OF 5 INCHES EXCEPT WHEN WALL MOUNTED USING APPROVED WALL MOUNTING KIT</p> <p>SUITABLE FOR INDOOR OR OUTDOOR LOCATIONS BEFORE HANDLING, INSTALLING AND OPERATING; SEE INSTRUCTION MANUAL</p> <p>NEMA Class ANN Dry Type Transformer Siemens Industry, Inc. Norcross, GA <small>dsu0086e</small></p>	 <p style="text-align: center;">VOLTS CONNECT</p> <table style="margin-left: auto; margin-right: auto;"> <tr><td>1</td><td>504</td></tr> <tr><td>2</td><td>492</td></tr> <tr><td>3</td><td>480</td></tr> <tr><td>4</td><td>468</td></tr> <tr><td>5</td><td>456</td></tr> <tr><td>6</td><td>444</td></tr> <tr><td>7</td><td>432</td></tr> </table> <p style="text-align: center;">TYPE K</p> <p style="text-align: center;">   </p> <p style="text-align: center;"> <small>DRY TYPE TRANSFORMER</small> <small>77UL E112313</small> <small>LR 3902</small> </p> <p style="text-align: center;"> <small>SEISMIC QUALIFICATIONS, FLOOR MOUNT ONLY</small> <small>OSP-0136-10 IBC 2012/ASCE 7-10</small> <small>SDS<=2.0g z/h=1 p=1.5</small> </p>	1	504	2	492	3	480	4	468	5	456	6	444	7	432
1	504														
2	492														
3	480														
4	468														
5	456														
6	444														
7	432														





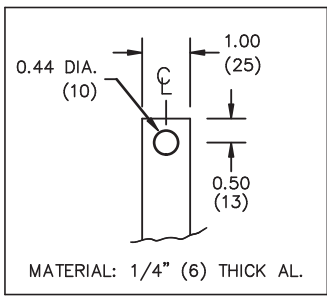
All Dimensions in inches

ENCLOSURE COLOR :ANSI 61 GREY – OUTDOOR

H.V.1. TERMINAL DETAIL

L.V.1. TERMINAL DETAIL

MECHANICAL TYPE LUGS INCLUDED
SUITABLE FOR 250MCM-6 CU/AL
CONDUCTORS
1 CONDUCTOR PER PHASE



CUSTOMER NOTES:

- HV1 TERMINATED AT TOP FRONT
- LV1 TERMINATED AT BOTTOM FRONT

Confidential – Property of
Siemens Industry, Inc.

REVISION	DATE	BY	DATE	BY
		DRAWN	16/06/29	PP
		CHEK'D		
		VERIF'D		

CUSTOMER	
ORDER NO.	DWG. NO. 3F3Y112D16BA
SH 2 OF 2	