

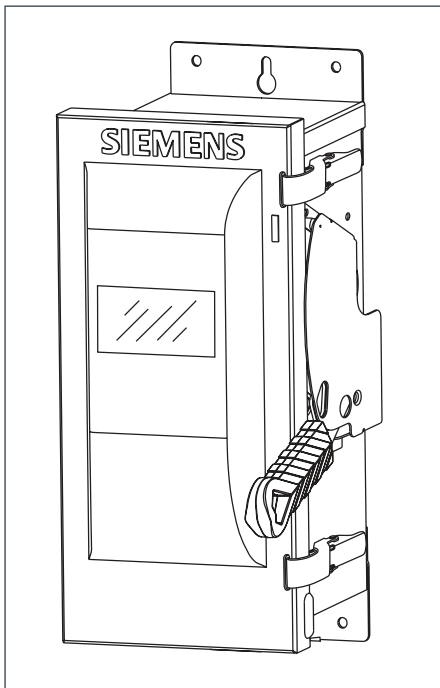
SIEMENS

Data Sheet

VBI Heavy Duty Safety Switch with Viewing Window

200A, 240 - 600V, Type 12¹

usa.siemens.com/switches



Standards and Ratings

- UL Listed under file #E4776
- Meets UL98 for switches and UL 50 for enclosures
- Meets NEMA Standard KS-1 for enclosed switches
- Meets NEC wire bending space requirements
- Rated 10,000 AIC with Class H fuses or 200,000 AIC with Class R, T and J fuses
- Rated 100,000 AIC at 600Vdc with Class R or J fuses
- 12t rated ($\text{Amps}^2 \times \text{Seconds} = 2,000,000$)
- 12X overload current rating exceeds 10X industry standard
- Suitable for use as service entrance equipment
- Includes internal shields which meet NEC 2020 230.62 line side barrier requirements

Features

- Quick-make and break switching action
- Double break visible blade design
- Highly visible ON/OFF indication
- Rugged installer friendly enclosure design
- Window permits viewing of both visible blades and indicating type fuses
- Modular design allows quick and easy replacement of part
- Front removable lugs which can easily be converted to copper body or compression type lugs
- Defeatable dual cover interlock

Product Specifications

Heavy Duty 200A, 240 - 600V Type 12

General Information

Catalog Number	Volts	Description	Shipping Weight (lbs.)
HF224J	240	2 Pole, 2 Wire Fusible	48
HF324J	240	3 Pole, 3 Wire, Fusible	49
HF364J	600	3 Pole, 3 Wire, Fusible	49
HNF364J	600	3 Pole, 3 Wire, Non-Fusible	47

Horsepower Ratings ^{2,3} – 240 Volts

Catalog Number	1 Phase, 240V AC		3 Phase, 240V AC		250V DC
	Std	Max	Std	Max	
HF224J	15	—	25	60	40
HF324J	15	—	25	60	40

Horsepower Ratings ^{2,3} – 600 Volts

Catalog Number	3 Phase, 480V AC		3 Phase, 600V AC		600V DC
	Std	Max	Std	Max	
HF364J	50	125	60	150	50
HNF364J ⁴	—	125	—	150	50

Mechanical Lug Wire Range (75°C, Cu/Al)

Description	Wire Range
Line, Load, Neutral	#6 AWG - 300 Kcmil
200% and Standard Neutral Ground	#14-1/0AWG
Ground Lug Kit	#14-4 AWG
200% Neutral	(2) #6 AWG - 300 Kcmil

Accessories

Catalog Number	Description
HA161234	One Normally Open and Closed Auxiliary Switches
HA261234	Two Normally Open and Closed Auxiliary Switches
HA361234	Low Voltage Auxiliary Switch
HG61234	Equipment Ground Lug Kit
HG261234	Isolated Equipment Ground Lug Kit
HN64	Neutral Kit
HN264	200% Neutral Kit
HT24	240 Volt Class T Fuse Clip Kit (1-Pole per kit) (HF224J, HF324J)
HT64	600 Volt Class T Fuse Clip Kit (1-Pole per kit) (HF364J)
HR64	Class R Fuse Clip Kit (3 fuse clips per kit) (HF224J, HF324J, HF364J)
HLC64	Copper Lug Kit (9 lugs per kit)
SSH200	2.00" Type 12 Hub

Replacement Parts

Catalog Number	Description
HFB64	Fusible Line Side Replacement Base(HF224J, HF324J, HF364J)
HBB64	Fusible Load Side Replacement Base (HF224J, HF324J, HF364J)
HNB64	Non-Fusible Replacement Base (HNF364J)
HH64	Replacement Handle/Handle Guard
HL64	Replacement Lugs (3 lugs per kit)
HM64	Replacement Mechanism
⁵	Replacement Door

Compression Lugs

Wire Size	Burndy		Thomas-Betts		Ilsco	
	CU Only	CU/AL	CU Only	CU/AL	CU Only	CU /AL
#2	YA6C-L BOX YA2C	YA2CA1	54142-TB	61107	CRB-2 CRB-2L	IACL-2 ACN-2
#1	YA1C-L Box YA1C	YA1CA1	54147 54947BE	60123	CRA-1-38 CRA-1L	ACL-4
1/0	YA25-L Box YA25	YA25A1	54153-TB 54949BE	60129 61130	CRA-0 CRA-1/0L	IACL-1/0 ACN-1/0
2/0	YA26-L3 YA26	YA26A6	54158 256-30695-1229 54910BE	60135 61136	CRA-2/0 CRA-2/0L	ACL-2/0 IACL-2/0
3/0	YA27-L3 YA27	YA27A1	54163-TB	60141 61142	CRC-3/0 CRB-3/0L	IACL-3/0 ACL-3/0
4/0	YA28-L3 YA28-TC38	YA28A1	54168 256-30695-1253	61148 60147	CRC-4/0 CRB-4/0L	IACL-4/0 ACL-4/0
250 Kcmil	YA29-L7	—	54173 54913BE	61156	CRA-250 CRA-250L	IACL-250
300 Kcmil	—	—	—	61162	—	—

1 Also rated 3R/3S for outdoor use.

2 Dual horsepower ratings: Std - applies when non-time delay fuses are installed.
Max - applies when time-delay fuses are installed.

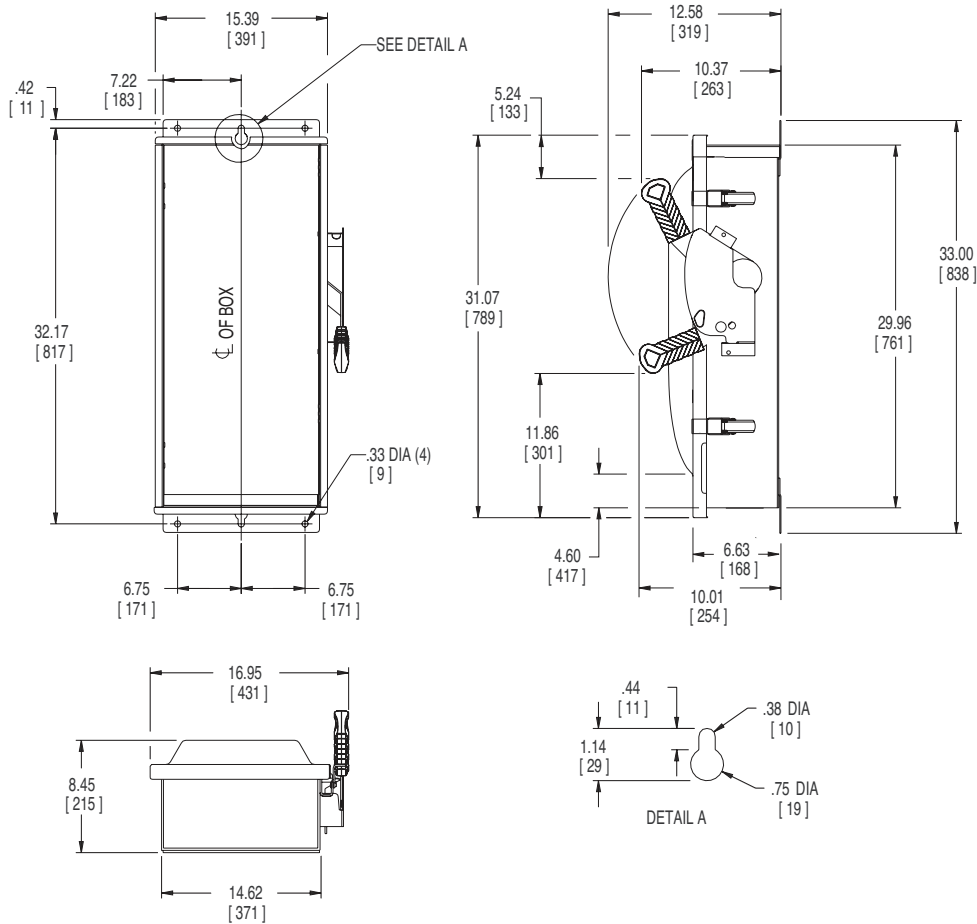
3 Horsepower ratings listed also apply to Design E motors with no derating.

4 Also rated 60 HP on 3phase, 240V AC systems.

5 Place "DOOR" at the end of the switch catalog number.

Dimension Drawings

Heavy Duty 200A, 240 - 600V Type 12



No knockouts in enclosures.
 Dimensions shown in inches and millimeters ().
 Dimension shown accurate to $\pm 1/8$ inch.

	LINE SIDE WIRE BEND	LOAD SIDE WIRE BEND
240V fused	7.87 (200)	10.34 (263)
600V fused	7.87 (200)	7.84 (199)
Non-Fused	7.87 (200)	15.84 (402)

Enclosure: Galvanized Steel
 .054 Thick (17 Gauge)
 Finish: ANSI Grey #61 Paint

Published by
Siemens Industry, Inc. 2021.

Siemens Industry, Inc.
 3617 Parkway Ln
 Peachtree Corners, GA 30092

For more information, please contact
 our Customer Support Center.
 Phone: 1-800-241-4453
 E-mail: info.us@siemens.com

usa.siemens.com/switches

Order No.: SSDS-HF212-0521
 Printed in U.S.A.
 © 2021 Siemens Industry, Inc.

The technical data presented in this document is based on an actual case or on as-designed parameters, and therefore should not be relied upon for any specific application and does not constitute a performance guarantee for any projects. Actual results are dependent on variable conditions. Accordingly, Siemens does not make representations, warranties, or assurances as to the accuracy, currency or completeness of the content contained herein. If requested, we will provide specific technical data or specifications with respect to any customer's particular applications. Our company is constantly involved in engineering and development. For that reason, we reserve the right to modify, at any time, the technology and product specifications contained herein.