



FOR EXTERNAL MOUNTING

TPS4 09 Surge Protection Devices

[siemens.ca/powerdistribution](https://www.siemens.ca/powerdistribution)

Product specifications

General specifications

Maximum surge current rating range	Standard - 130kA per phase
UL Type designation	SPD Type 1
UL 1449 & CSA C22.2 No. 269 I-nominal rating	20kA
UL 1449 & CSA C22.2 No. 269 short circuit current rating	200kA
Repetitive impulse	5,000 hits
Response time	< 1/2 ns

Physical specifications

Humidity range	0-95% non-condensing
Operating frequency	50-60Hz
Operating temperature	-35°C to +85°C
Dimensions in inches (mm)	5.02" (128) x 2.93" (74) x 3.25" (83)
Weight	1 lbs (454 g)
Typical connection	18" #12 AWG (pre-wired pig tails)
Enclosure	NEMA 4X Polycarbonate

Diagnostic monitoring specifications

Green LEDs per phase
Audible alarm
Form C dry contact, 240V, 5A

Design specifications

Custom MOV design for high energy handling in Category C locations
Thermally protected MOVs
External parallel connected for mounting next to electrical gear

SIEMENS

Model Number Catalog Logic

TPS4 09 SPD for External Mounting
General Suppressor Series

Catalog No. TPS4 09

Voltage Code

- A = 120/240 V, 1Ø, 3W
- B = 120/240 V, 3Ø, 4W
- C = 120/208 V, 3Ø, 4W
- W = 220/127 V, 3Ø, 4W
- D = 240 V, 3Ø, 3W
- E = 277/480 V, 3Ø, 4W
- F = 480 V, 3Ø, 3W
- G = 600 V, 3Ø, 3W
- K = 380/220 V, 3Ø, 4W
- L = 600/347 V, 3Ø, 4W
- S = 400/230 V, 3Ø, 4W
- T = 415/240 V, 3Ø, 4W

Surge Current (kA)

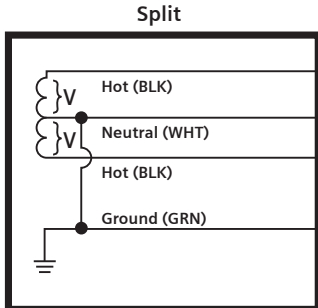
13 = 130 kA per phase

D = Dry Contact & Audible Alarm (Standard)

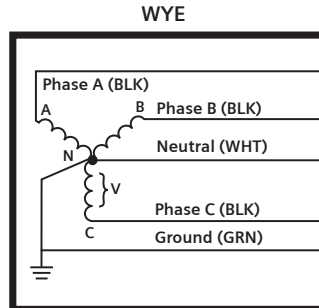
Available for field retrofit in P1 panels.

When an option is not selected, include a **zero (0)** in the field.

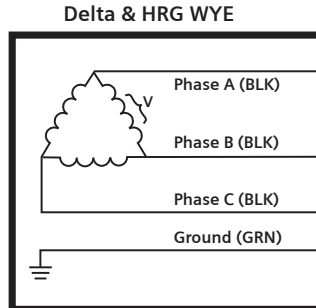
Wiring Configurations



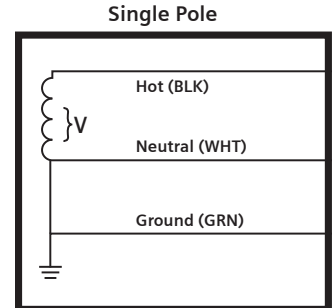
2 Hots, 1Neu, 1 Grnd



3 Hots, 1 Neu, 1 Grnd



3 Hots, 1 Grnd



1 Hot, 1 Neu, 1 Grnd

TPS4 09

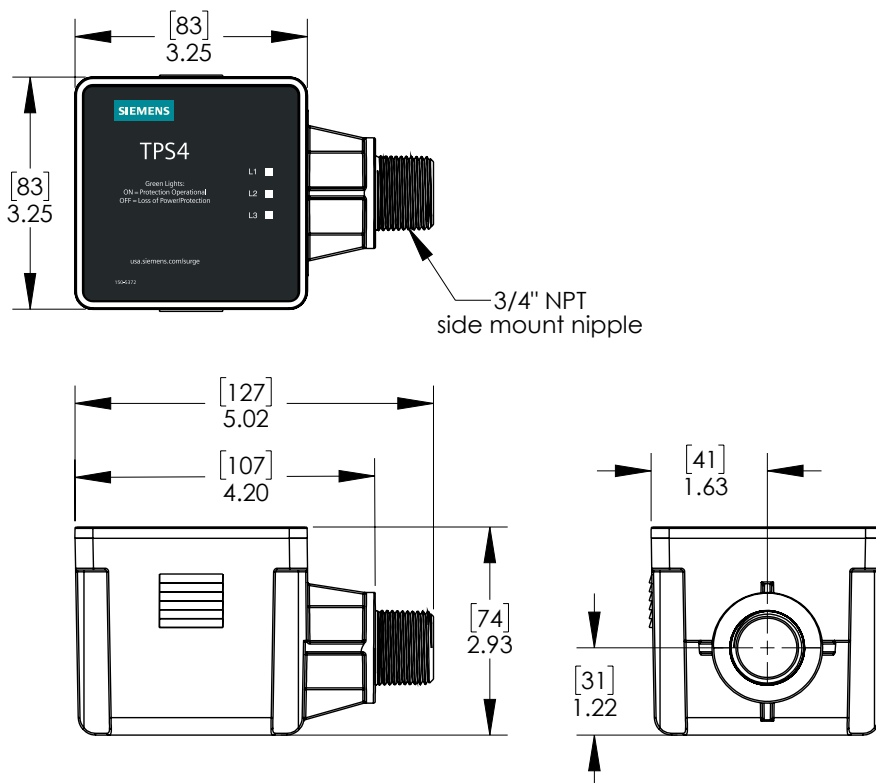
Voltage Code	System Voltage	L-N	L-G	L-L	N-G	MCOV
A	120/240V, 1Ø, 3W*	700	700	1200	600	180
B	240/120V, 3Ø, 4W	700/900	700/900	1200	700	180/275
C	208Y/120V, 3Ø, 4W	600	700	1000	500	150
W	220/127V, 3Ø, 4W	700	700	1200	600	150
D	240V, 3Ø, 3W	-	1000	1200	-	275
E	480Y/277V, 3Ø, 4W	1200	1000	2000	1000	320
F	480V, 3Ø, 3W	-	1800	1800	-	550
G	600V, 3Ø, 3W	-	2000	2500	-	680
K	380Y/220V, 3Ø, 4W	1200	1000	2000	1000	320
L	600Y/347V, 3Ø, 4W	1500	1500	2500	1500	440
S	400Y/230V, 3Ø, 4W	1200	1000	2000	1000	320
T	415Y/240V, 3Ø, 4W	1200	1000	2000	1000	320

* Can also be used on 208Y/120V, 1Ø, 3W System

Standards compliance and certifications

UL 1449 5th Edition, cUL, UL1283, CSA C22.2 No 269.1, ANSI/IEEE C62.41.1-2002, C62.41.2-2002, C62.45-2002, NEC Article 285
 ISO 9001:2014 Quality Management System, ISO 17025:2007 Laboratory Certification (UL DAP Program), 100% Quality Tested prior to shipping

Product Diagram [in millimeters] and inches



Published by
Siemens Canada 2024

Siemens Canada Limited
Electrical Products
1577 North Service Road East
Oakville, ON L6H 0H6

Customer Interaction Centre
Tel: 1 (888) 303-3353
cic.ca@siemens.com

Printed in Canada
Order No. SIEPC-D15-CAEN
All Rights Reserved
© 2024, Siemens Canada Limited
siemens.ca/powerdistribution

The technical data presented in this document is based on an actual case or on as-designed parameters, and therefore should not be relied upon for any specific application and does not constitute a performance guarantee for any projects. Actual results are dependent on variable conditions. Accordingly, Siemens does not make representations, warranties, or assurances as to the accuracy, currency or completeness of the content contained herein. If requested, we will provide specific technical data or specifications with respect to any customer's particular applications. Our company is constantly involved in engineering and development. For that reason, we reserve the right to modify, at any time, the technology and product specifications contained herein.