

Catalog Numbers, Features and Ratings

WTB11200CU	1-PHASE
WTB31200CU	3-PHASE

- MODULE RATING: 1200 AMPS MAX, 240V AC MAX.
- 100,000 AIC RATING MAX.
- ADDED MOUNTING RAILS AND BRACKETS FOR SECURE MOUNTING.
- FOR OVERHEAD OR UNDERGROUND SERVICE.
- TYPE 3R OUTDOOR ENCLOSURE.

FOR USE WITH:

Module Description	Siemens Series No.	Murray Series No.
Main Breakers	(W)MC, WB, WEB	DB W
Switches	WMP, WMS, WS, WES	DPT W, DT W
Tap/Terminal Boxes	WMTB, WTB, WET	DTB W
Pull Boxes	WMMB, WPB, WAPB	DPB W
Meter Modules	WMM, WxMM, WMT, WML, WMK	DG.W, DC.W, DL.W
Extension Box	WMEX	DS
Bussed Elbow	BE	DL

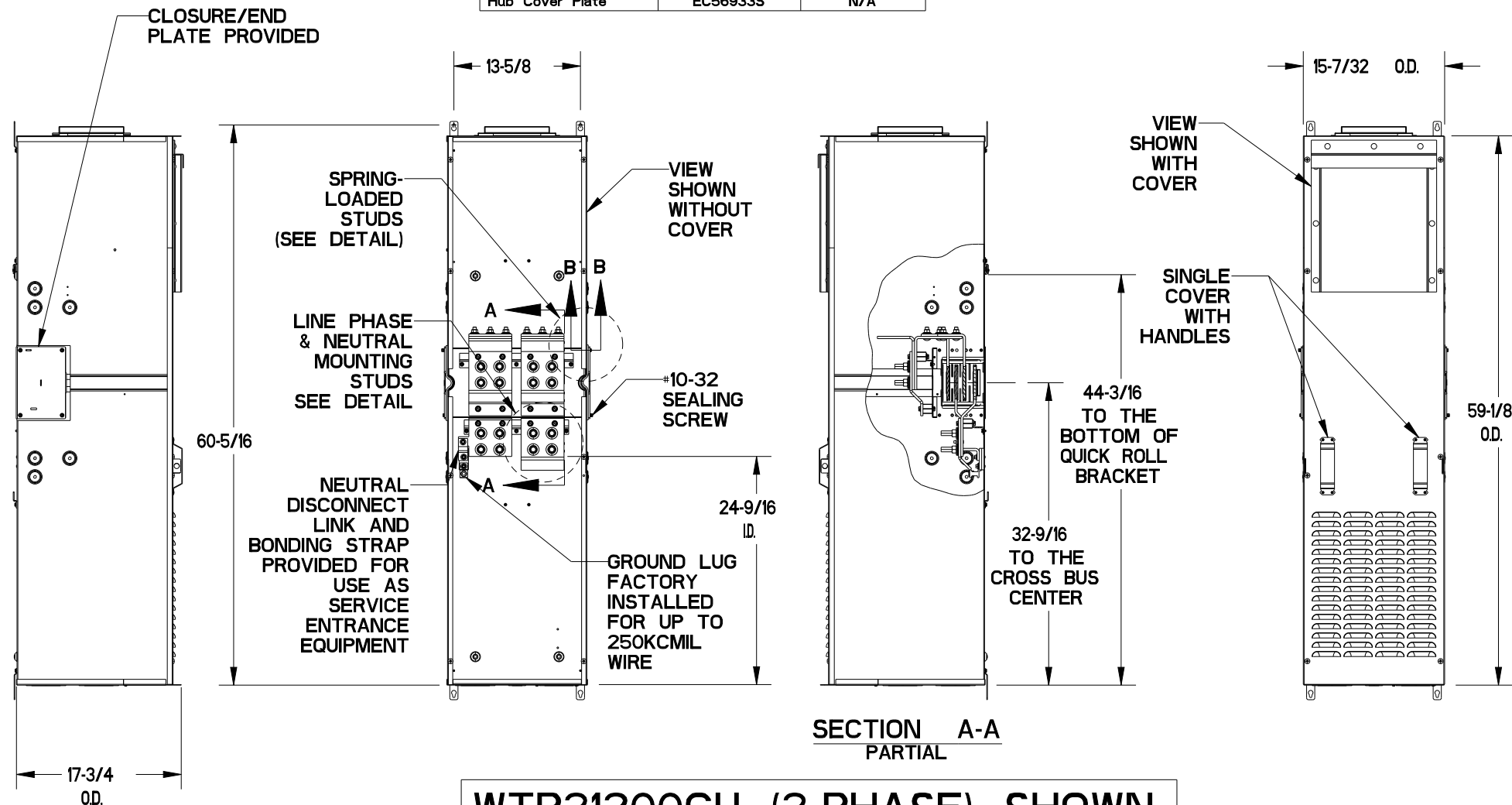
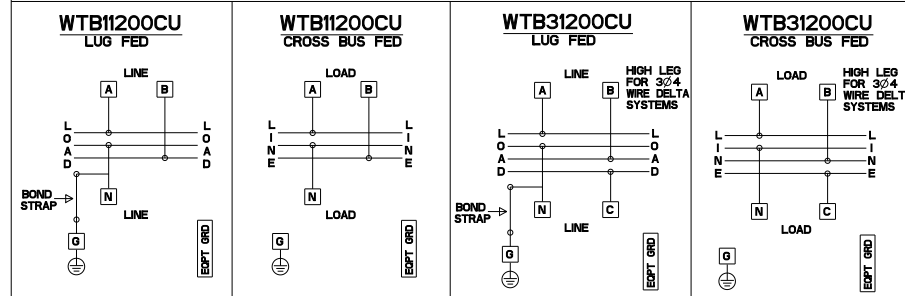
Siemens Accessories	Catalog Number	Req'd Torque
Single Bolt Joint (1ph)	QC1 or SBJ1	400-480 LB-IN [35-40 FT-LBS]
Single Bolt Joint (3ph)	QC4 or SBJ4	
GND Bar Kit	ECLX069M	N/A
Hub Cover Plate	EC56933S	N/A

Lugs for Phase and Neutral Connections (not supplied)

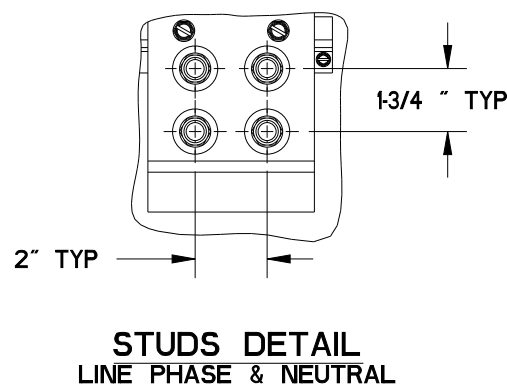
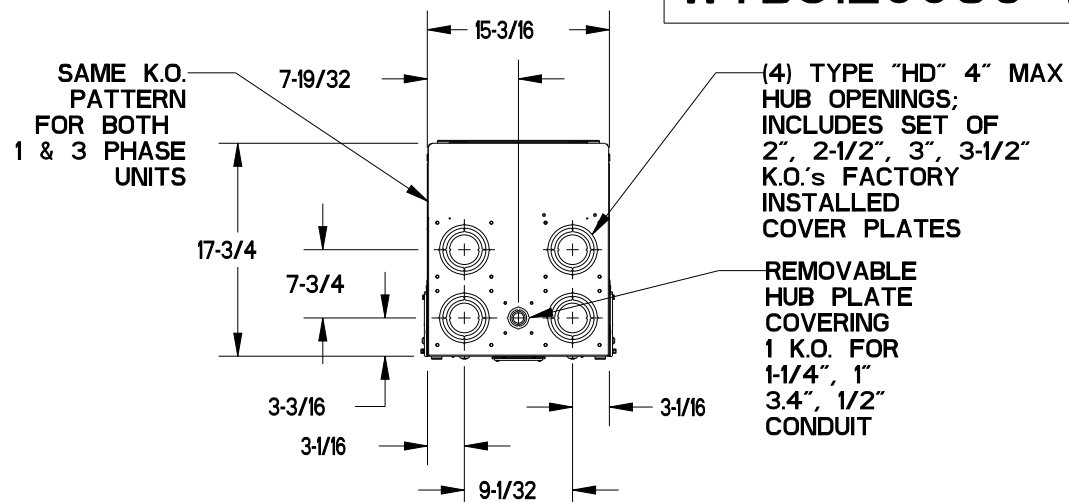
NEMA Lug ①	MFG	Wire Range	Type	No. Wires per phase	Torque (lb-in.)
LK13750N2	SIEMENS	300-750 KCMIL	MECHANICAL	3	500 ②
LK33750N2	SIEMENS	300-750 KCMIL	MECHANICAL	3	500 ②
LK14500N2	SIEMENS	1/0-500 KCMIL	MECHANICAL	4	500
2ACL-500	ILSCO	500 KCMIL	COMPRESSION	4	N/A ③
2ACL-750	ILSCO	750 KCMIL	COMPRESSION	3	

- ① Order one mechanical lug kit for mains and neutral. Contact Lug manufacturer for compression lug quantities supplied for each kit.
- ② Kit contains more than one lug type. Reference kit instruction sheet for the actual torque value for each lug kit.
- ③ See lug manufacturer's instruction sheet supplied with the connector for tool, die and number of crimps.

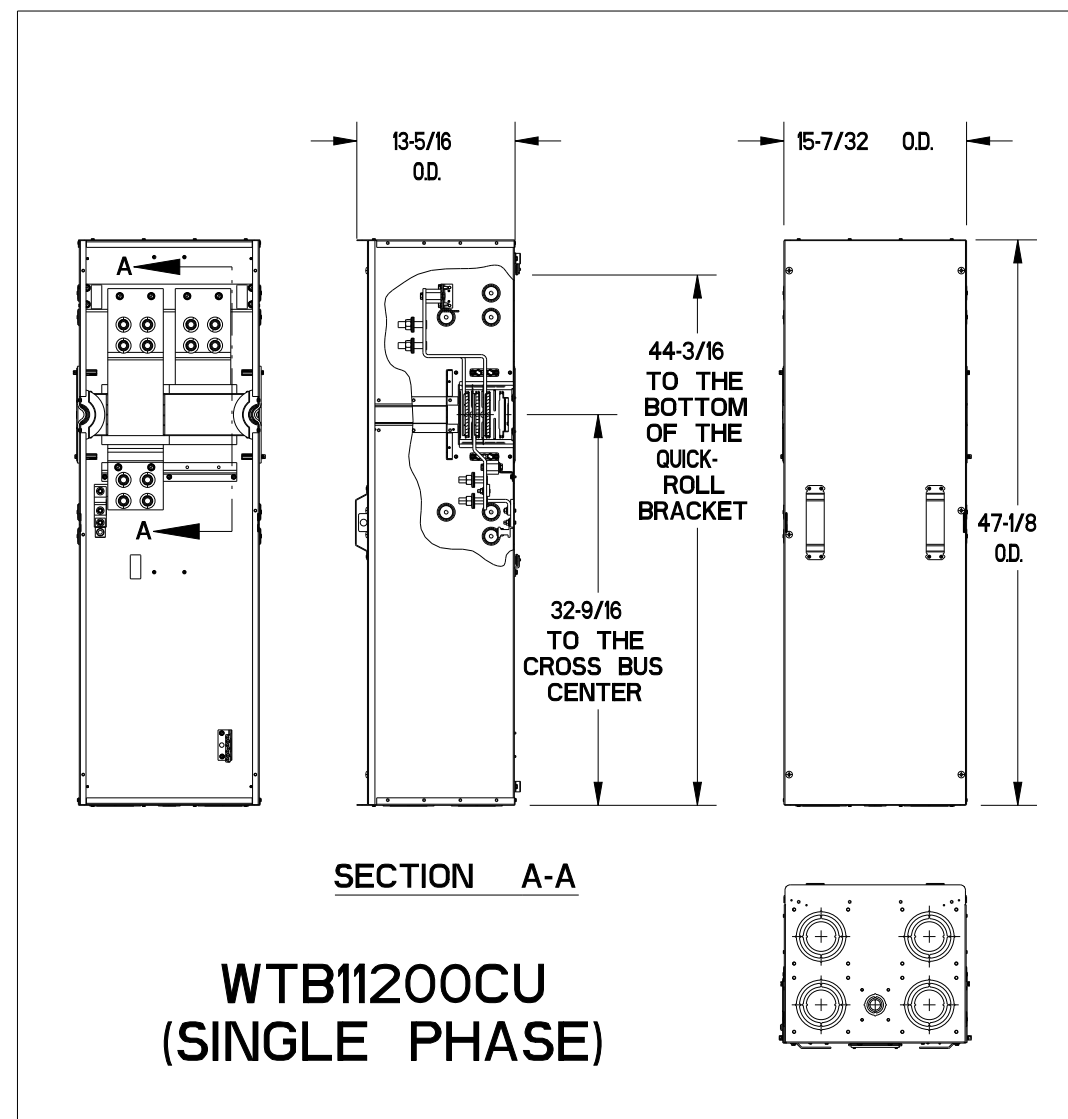
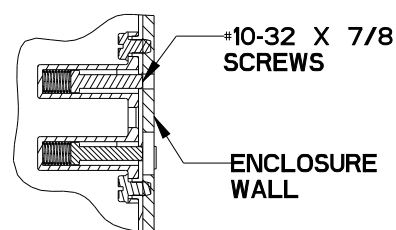
1200A Standard Tap Box Schematics



WTB31200CU (3-PHASE) SHOWN



SECTION B-B THRU SPRING LOADED STUDS SCALE 3:8



WTB11200CU (SINGLE PHASE)

Siemens Industry, Inc.
Building Technologies Division

PowerMod™ Tap Boxes

CATALOG NO.: WTB11200CU and WTB31200CU
Standard Service Entrance Tap Boxes

SIZE B	DWG. NO. 1200A STD SE TAP-BXS
DWN: JKH	DATE: 04/01/10 DO NOT SCALE DRAWING SHEET 1 OF 1