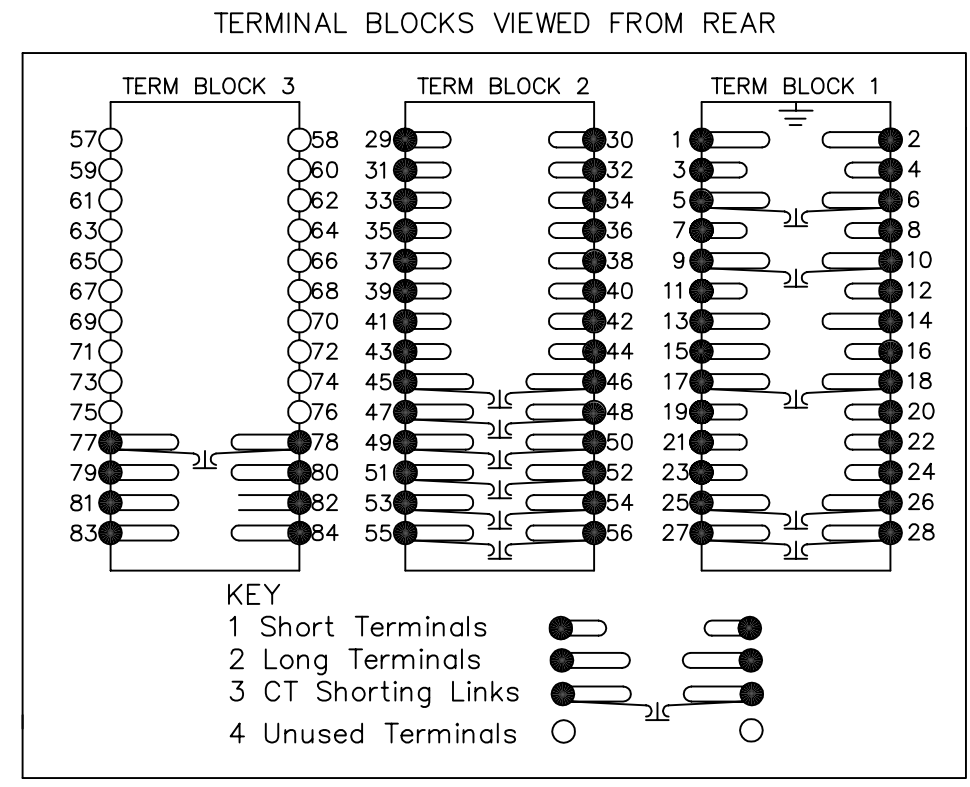
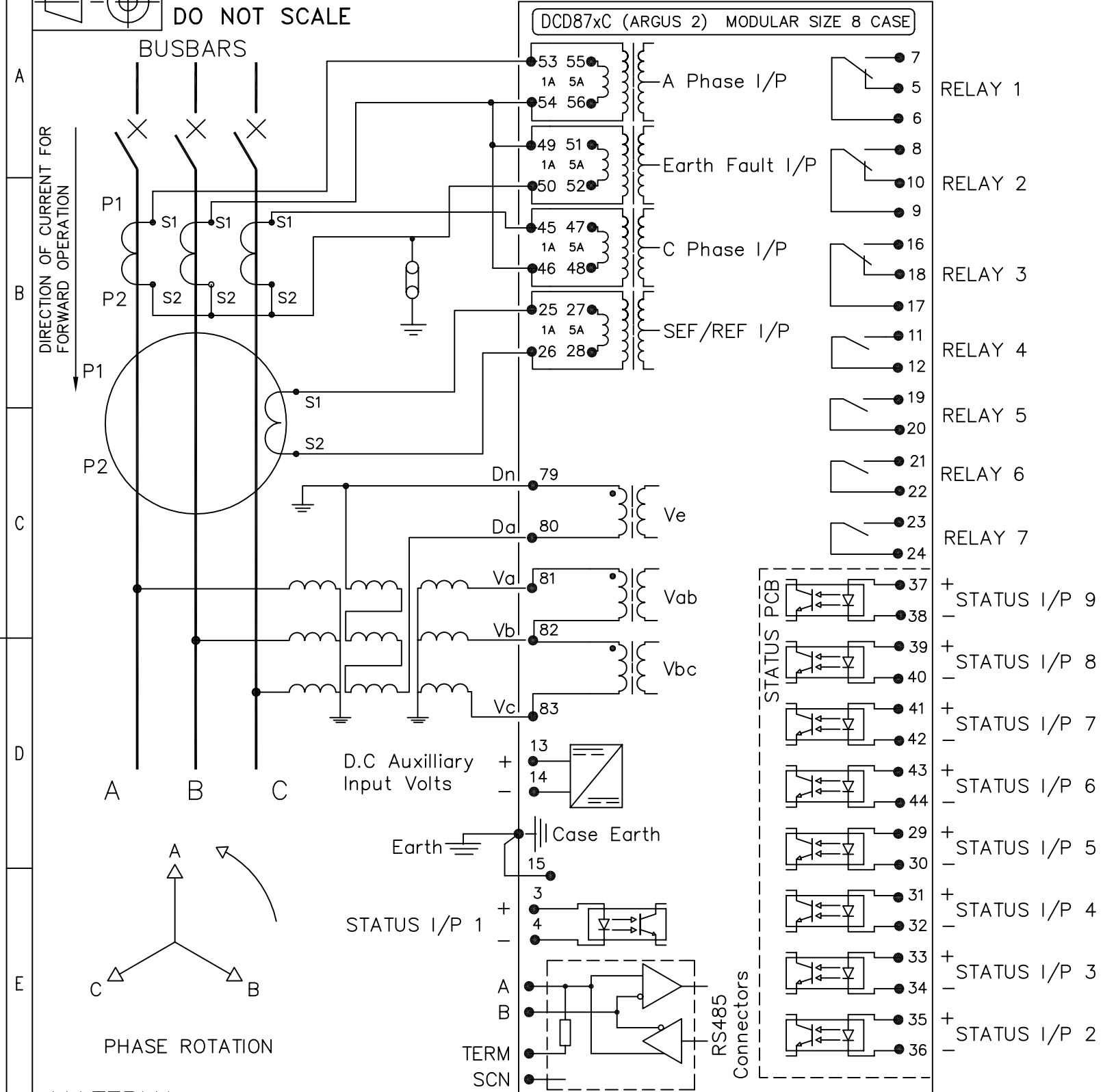


IF IN DOUBT ASK  
DO NOT SCALE



- NOTES**
1. CT CIRCUITS ARE SHOWN CONNECTED TO RELAY 1 AMP TAP. USE ALTERNATIVE TAP FOR 5AMP RATED CTs.
  2. CT & EARTH CONNECTIONS ARE TYPICAL ONLY.
  3. METROSIL & SETTING RESISTORS ARE REQUIRED FOR HIGH IMPEDANCE & RESTRICTED EARTH FAULT APPLICATIONS.
  4. FOR TERMINAL DIAGRAM SEE 2434W50010 (A2).
  5. DRG SHOWS OPTION C (7 OUTPUTS, 9 INPUTS).

**NOT SUBJECT TO UPDATE  
ONCE COPIED / PRINTED  
OR DOWNLOADED**

**MATERIAL:**

Dimensions in millimetres : Surface texture in micrometres.  
Machine where marked ✓  
For explanation of dimensions, tolerances, notes etc. see B.S.308.  
Limit on untoleranced unmachined dimensions ± \_\_\_\_\_  
Limits on untoleranced machined dimensions to B.S.4500;  
i.e. up to 6±0.1; over 30 to 120±0.3; over 315±0.8;  
over 6 to 30±0.2; over 120 to 315±0.5;  
General unmachined angular tolerance ± \_\_\_\_\_

Finish: \_\_\_\_\_  
Treatment: \_\_\_\_\_

Title:  
TYPICAL SCHEMATIC DIAGRAM 3PH(DIR)+E/F(DIR)+SEF/REF  
70/P+9I/P RS485 ARGUS 2 NUMERIC OVERCURRENT PROTECTION

**SIEMENS PROTECTION DEVICES LTD.**

Original Scale:  
NTS

First used on: \_\_\_\_\_  
Similar Articles: 2434W10078  
Supersedes: \_\_\_\_\_  
Drg. No.  
**2434W10132**

1	12/02/07	CHANGE NOTED	△
ISSUE	DATE		