

| Digital Connectivity

Per Krogh Christiansen

SIEMENS



Agenda

The future is here – new switches

More to come!



SIEMENS

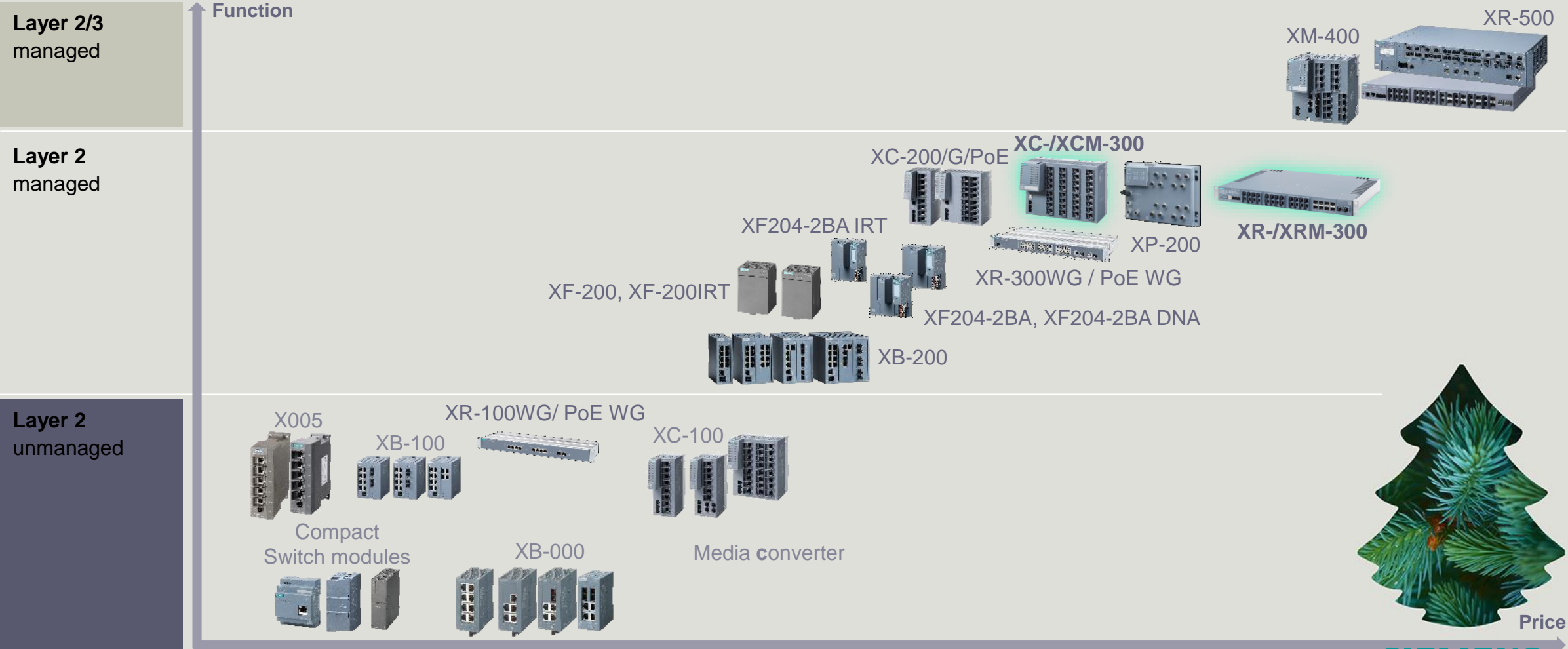
Managed switches for wide usage

SCALANCE XC-/XCM-300 and XR-/XRM-300



SIEMENS

SCALANCE XC-/XCM-300 and XR-/XRM-300



SCALANCE XCM-300 + SCALANCE LPE (Local Processing Engine) Function Extender

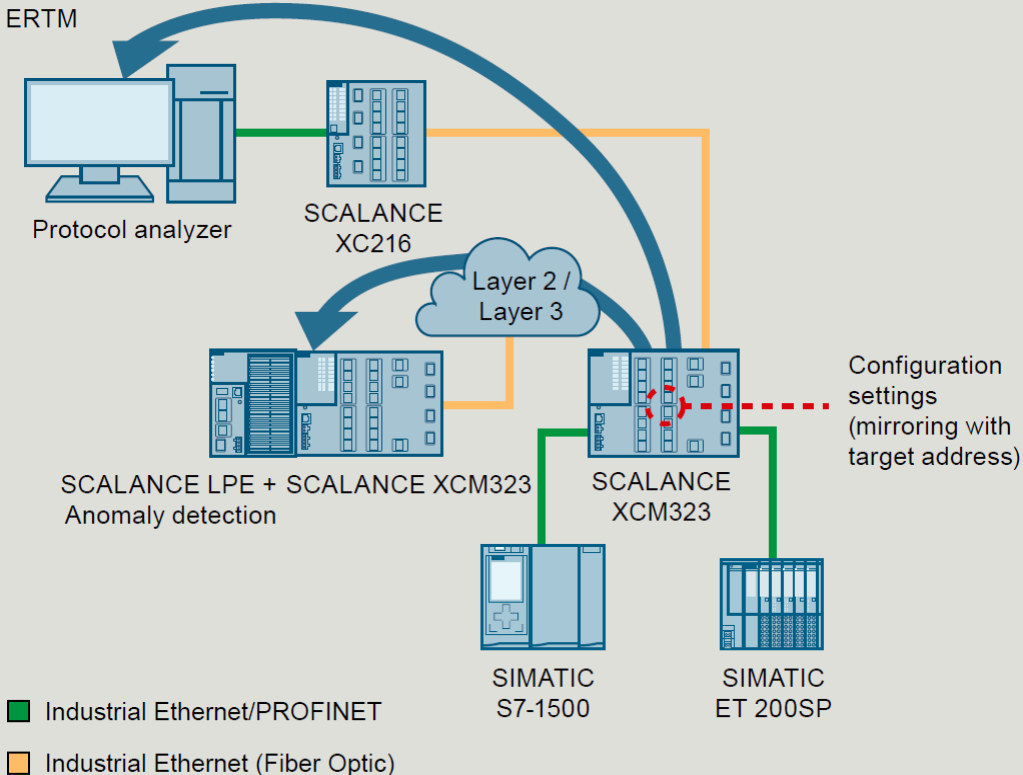
...for perfect SCALANCE LPE integration into the network and application in various solutions, e.g., anomaly detection, remote access and data processing applications (e.g. maintenance)



SIEMENS

SCALANCE XCM-300 / XRM-300

Forwarding of mirrored network traffic using ERTM



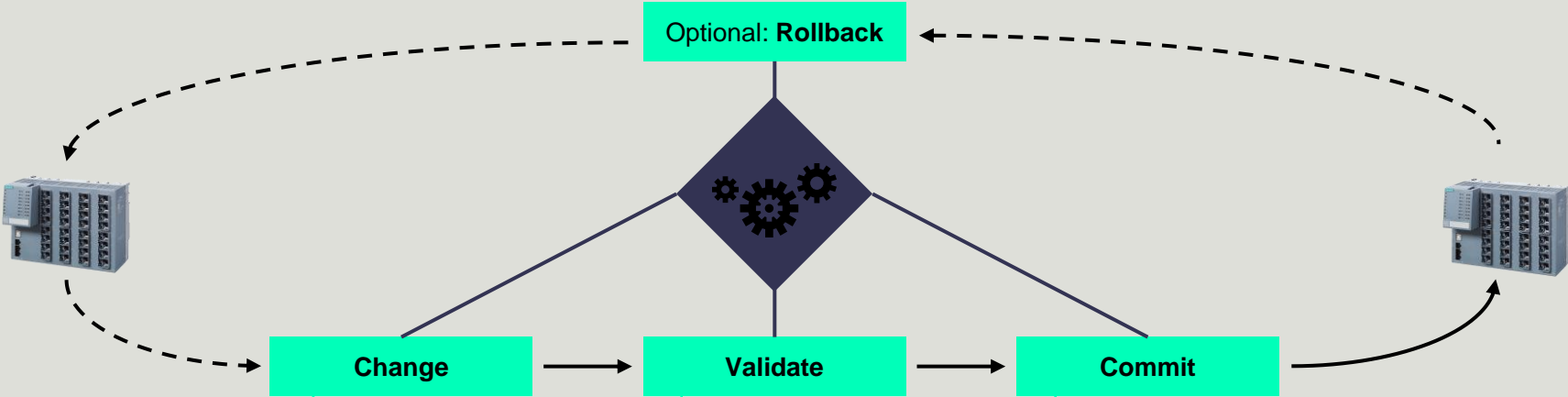
...ERTM, simple forwarding of mirrored network traffic for use in a wide variety of solutions, e.g., anomaly detection, service for network validation, or continuous network traffic analysis



SIEMENS

SCALANCE XCM-300 / XRM-300

NETCONF & YANG consistent rollout of device configurations in the network



Candidate data store
Contains pending configuration changes

Assure consistency Activate changes

Running data store
Contains all configurations

NETCONF & YANG provides data model-driven network automation, which ensures that consistent device configurations are rolled out across the network



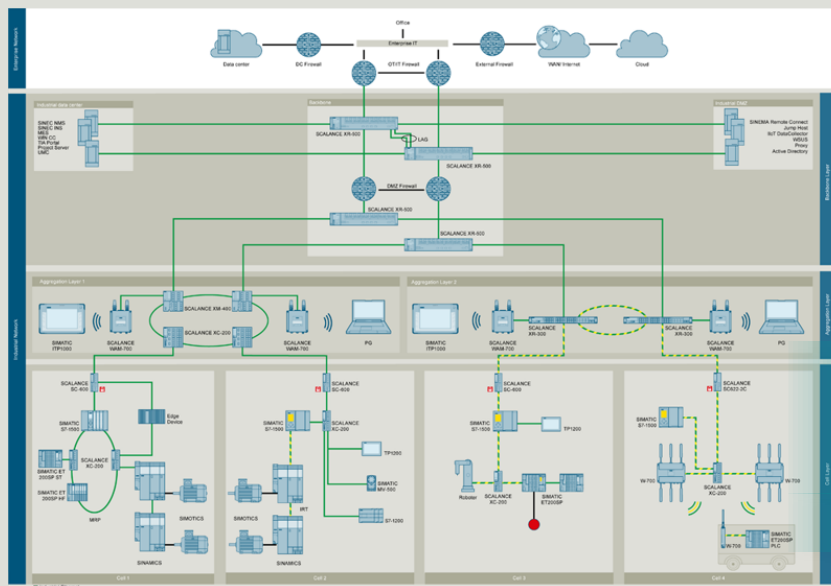
SIEMENS

Just one of many new items!

SCALANCE MUM853-1
SCALANCE MUM856-1



CloudConnect
integrated



Network Concepts for
Factory Automation –
download on SIOS now!
ID: 109802750



SIEMENS