

# Undgå produktionsstop med SITOP Power Supply



Hjertet i enhver automationsløsning.

**SIEMENS**





# Dagens værter

Ole Dyval, Technology Specialist  
Ronni Svejstrup, System Architect



**SIEMENS**



# Agenda

Portfolio

Redundans, Buffer og Selektivitet

SITOP i TIA Selection Tool

Diagnose og OPC UA

Nyheder

# SITOP har forsynet industrien i mere end 25 år

**SITOP**  
The first controlled power supply  
for the price of an uncontrolled



**SITOP flexi**  
With adjustable output current and  
controlled current limitation



**SITOP UPS500**  
Entirely free of maintenance  
DC-USV with capacitors

**SITOP Manager**  
Engineering and monitoring  
software for SITOP power  
supplies with communication  
capability



**SITOP UPS1600**  
Ethernet/PROFINET and complete  
TIA-Integration

**LOGO!Power**  
Miniature power  
supply unit in  
LOGO!-Design



**SITOP select**  
Reliable selectivity in  
24-V-branches with  
controlled power supply  
units



**SITOP compact**  
Energy-efficient  
compact power  
supply



**SITOP Bibliothek**  
for power supply  
concepts entirely  
integrated SIMATIC  
PCS 7

1993 1994 1996 1998 2000 2002 2005 2008 2010 2012 2013 2014 2016 2018 2019

**SITOP in  
SIMATIC Design**  
1-phase power  
supply for  
SIMATIC S7-300



**SITOP**  
1- and 3-phase power  
supply unit with high degree  
of efficiency



**SITOP smart**  
1-phase standard power  
supply



**SITOP select**  
Direct integration in  
the SIMATIC S7-  
diagnostics



**SITOP PSU8600**  
Power supply system  
PROFINET and complete  
TIA-Integration



**SITOP DC-USV**  
USV- and battery modul for  
undisrupted power supply at  
removal



**SITOP PSU8200**  
The first modular power supply  
extendable with signaling contact,  
buffer-, redundancy- and diagnostic  
module or DC-USV



**SITOP smart**  
3-phase  
standard power  
supply



**SITOP PSU6200**  
The all-around power supply for a  
wide range of applications



# Basic

## LOGO!Power

The flat power supply for distribution boards



## SITOP lite

The cost-effective basic power supply



## SITOP compact

The slim power supply unit for control boxes



**SIEMENS**

# Standard

## SITOP PSU6200

The all-around power supply for a wide range of applications



## SITOP smart

The high-performance power supply



**SIEMENS**



# Advanced

## SITOP PSU8200

The technology power supply for demanding solutions



## SITOP PSU8600

The power supply system with TIA integration and open communication up to the Cloud



**SIEMENS**

# And a lot more 😊

## SITOP in SIMATIC design

The optimal power supply for  
SIMATIC S7 and  
more



## SITOP DC/DC converter

Stable supply  
despite  
fluctuating DC  
voltage

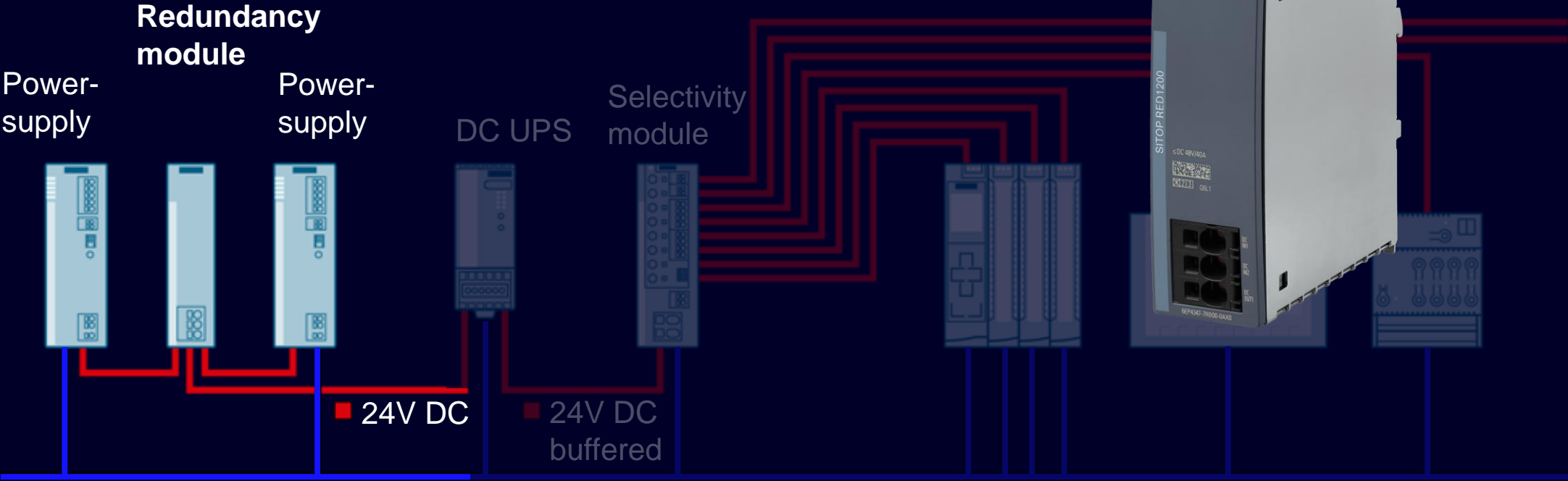
## Special designs

Equipped for special  
tasks and conditions

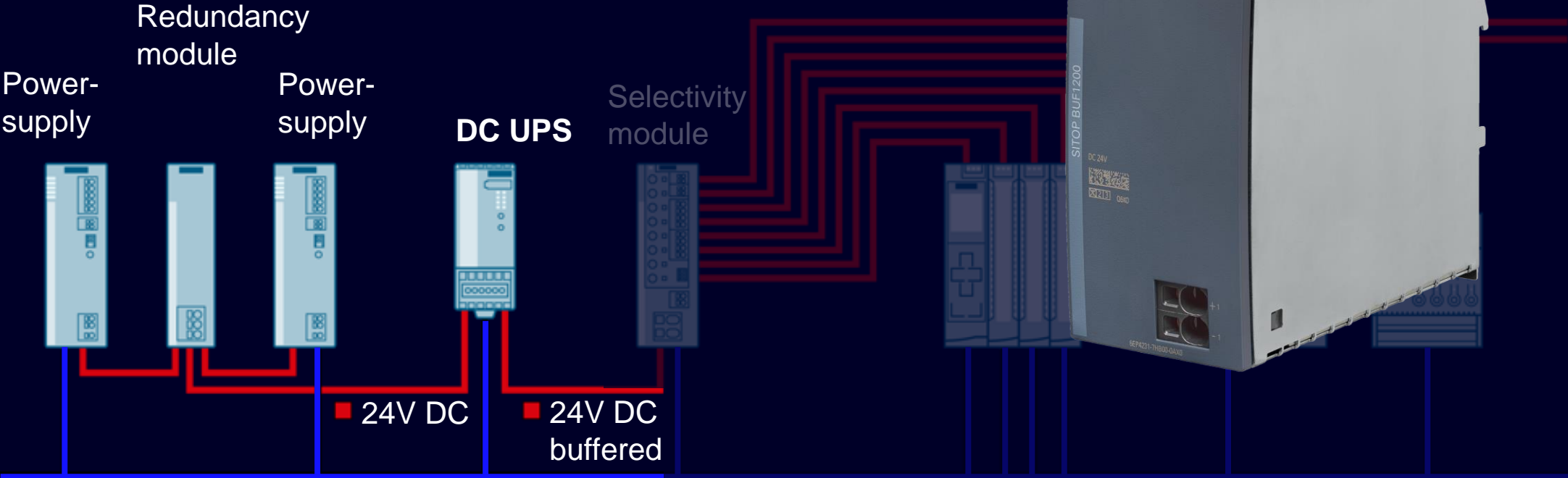




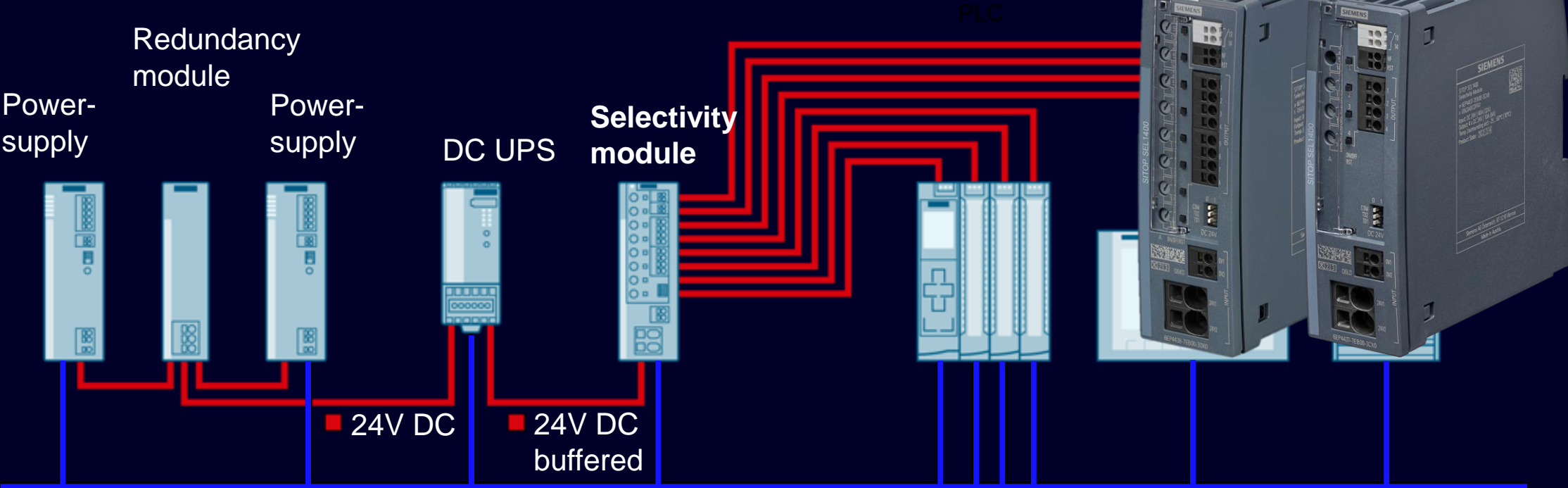
# Redundancy



# Buffering



# Selectivity



# Diagnose

## SITOP PSU6200

The all-around power supply for a wide range of applications



## SITOP PSU8600

The power supply system with TIA integration and open communication up to the Cloud



# PSU8600 In TIA Portal

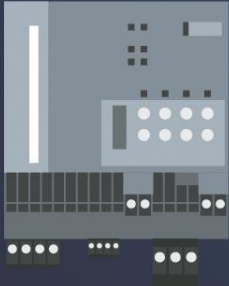
SITOP PSU8600 System – modular and integrated



**SITOP BUF8600**  
buffer modules



**SITOP CNX8600**  
expansion modules



**SITOP PSU8600**  
base units



**SITOP UPS8600**  
UPS modules



**SITOP BAT8600**  
battery modules

Integration  
PROFINET, OPC-UA



Controller



Monitoring

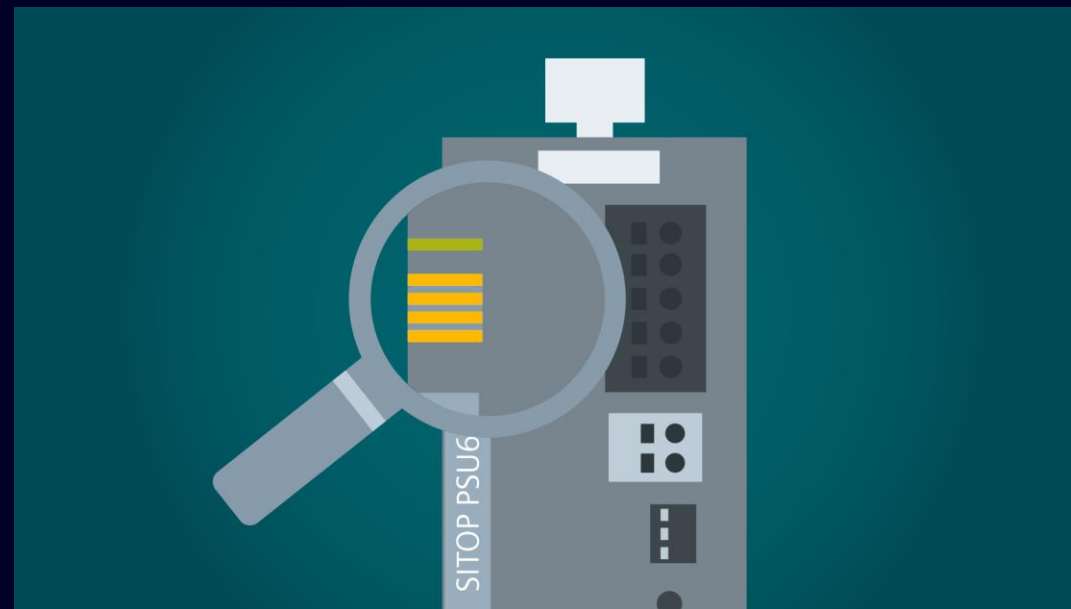
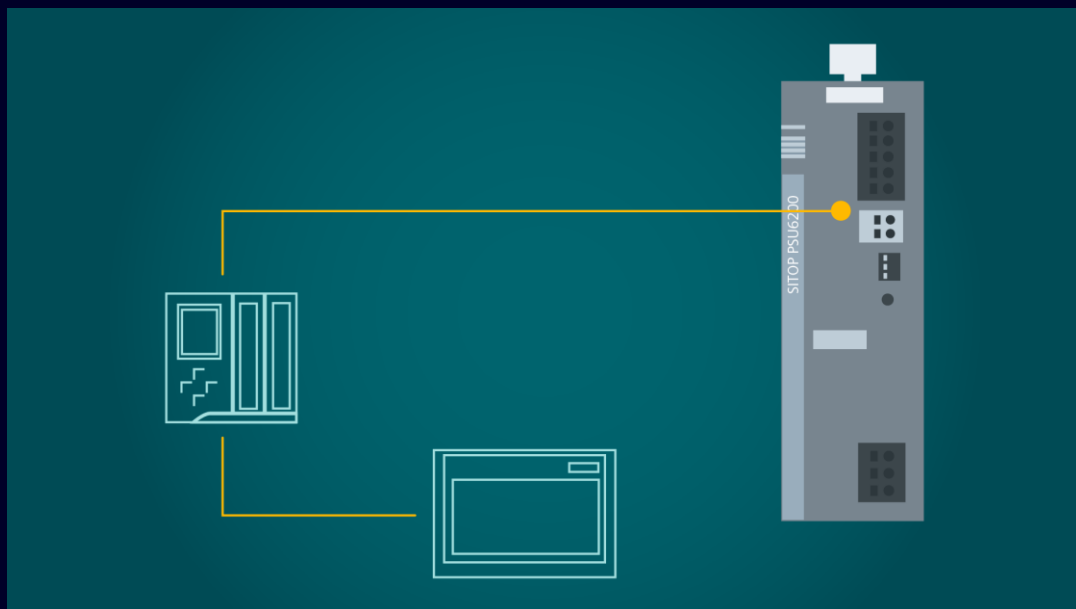


Engineering with TIA Portal



Open communication

# PSU6200 Diagnose



# PSU8600 Web interface

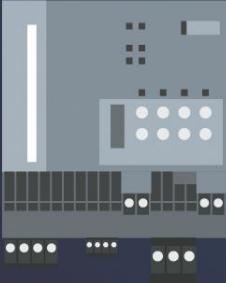
SITOP PSU8600 System – modular and integrated



**SITOP BUF8600**  
buffer modules



**SITOP CNX8600**  
expansion modules



**SITOP PSU8600**  
base units



**SITOP UPS8600**  
UPS modules



**SITOP BAT8600**  
battery modules

Integration  
PROFINET, OPC-UA



Controller



Monitoring



Engineering with TIA Portal



Open communication

# PSU8600 OPC UA

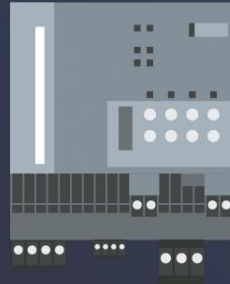
SITOP PSU8600 System – modular and integrated



**SITOP BUF8600**  
buffer modules



**SITOP CNX8600**  
expansion modules



**SITOP PSU8600**  
base units



**SITOP UPS8600**  
UPS modules

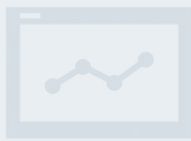


**SITOP BAT8600**  
battery modules

Integration  
PROFINET, OPC-UA



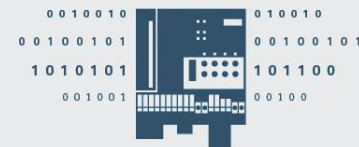
Controller



Monitoring



Engineering with TIA Portal



Open communication



**SIEMENS**



# Starter Package II

Power supply unit SITOP PSU6200 and Selectivity module  
SITOP SEL1400  
Starter package with over 20 % price advantage

SITOP PSU6200 starter package II  
6EP3334-7SB00-3AP0

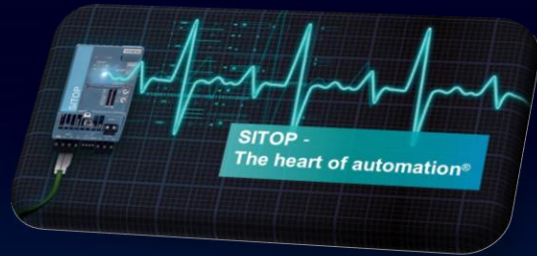
(valid until 30 September 2021)



**Listepris 1.800,- DKK**

**SIEMENS**

# SITOP news FY21 – Status March



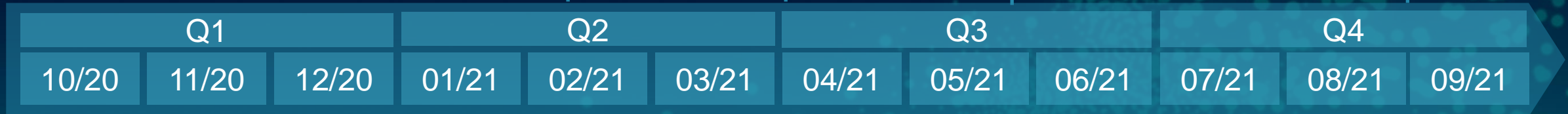
**PSU6200 Ex  
1AC**

- 24 V 5 A
- 24 V 10 A
- 24 V 20 A

New exciting  
stuff 😊

New exciting  
stuff 😊

New exciting  
stuff 😊



**BUF1200**

- 40 A 300 ms

New exciting  
stuff 😊

New exciting stuff 😊

New exciting  
stuff 😊

# Kontakt

Ole Dyval

[ole.dyval@siemens.com](mailto:ole.dyval@siemens.com)

Ronni Svejstrup

[ronni.svejstrup@siemens.com](mailto:ronni.svejstrup@siemens.com)

**SIEMENS**





# SIEMENS

WEBINARER MED INSPIRATION, VIDEN OG VÆRDI

## Industry Information Live

Tilmeld dig, se og gense på  
[www.siemens.dk/di-webinarer](http://www.siemens.dk/di-webinarer)



Tilmeld dig på  
[www.siemens.dk/di-tilmeld-nyheder](http://www.siemens.dk/di-tilmeld-nyheder)

Du finder også vores nyheder på  
[www.siemens.dk/di-nyheder](http://www.siemens.dk/di-nyheder)

NYHEDSBREVE TIL INDUSTRIEN  
UDKOMMER 8-10 GANGE OM ÅRET

## Industry Information News

TIPS OG TRICKS PÅ YOUTUBE

## Industry Information Demo

Find hurtigt playlisten og abonner via  
[www.siemens.dk/di-demo](http://www.siemens.dk/di-demo)

