

Siemens Energy & Automation, Inc.  
Bellefontaine, Ohio 43311 U.S.A.

**Item:** Instructions for Installation of Circuit Breaker Plug-In Adapters for "E" & "CLE" Frame Circuit Breakers (Cat. No.'s TCE2, TCE3)

**For use with:** SIEMENS® E, ED, EM and EF Frame Circuit Breakers and Molded Case Switches in conjunction with plug-in-mounting assemblies Cat. No.'s (PC2637 and PC2638), (PC2657 and PC2658) or (PM2657 and PM2658).

**Page 1 of 2**

**Pc. No.** 410901A01

## Installation Instructions



**⚠ DANGER**

**Hazardous voltage. Will cause death or serious injury.**

Turn OFF and lock out all power supplying this device before installing or servicing accessory.

**⚠ SAFETY INSTRUCTIONS**

| BREAKERS TYPES   |
|--|
| E2(-A), E4(-A), E6(-A), HE4(-A), HE6(-A), CLE(-A), ED2, ED4, ED6, EM6, EMK, HED4, HED6, CED6, EFC, EFF |

NOTE: This instruction outlines the recommended installation procedure.

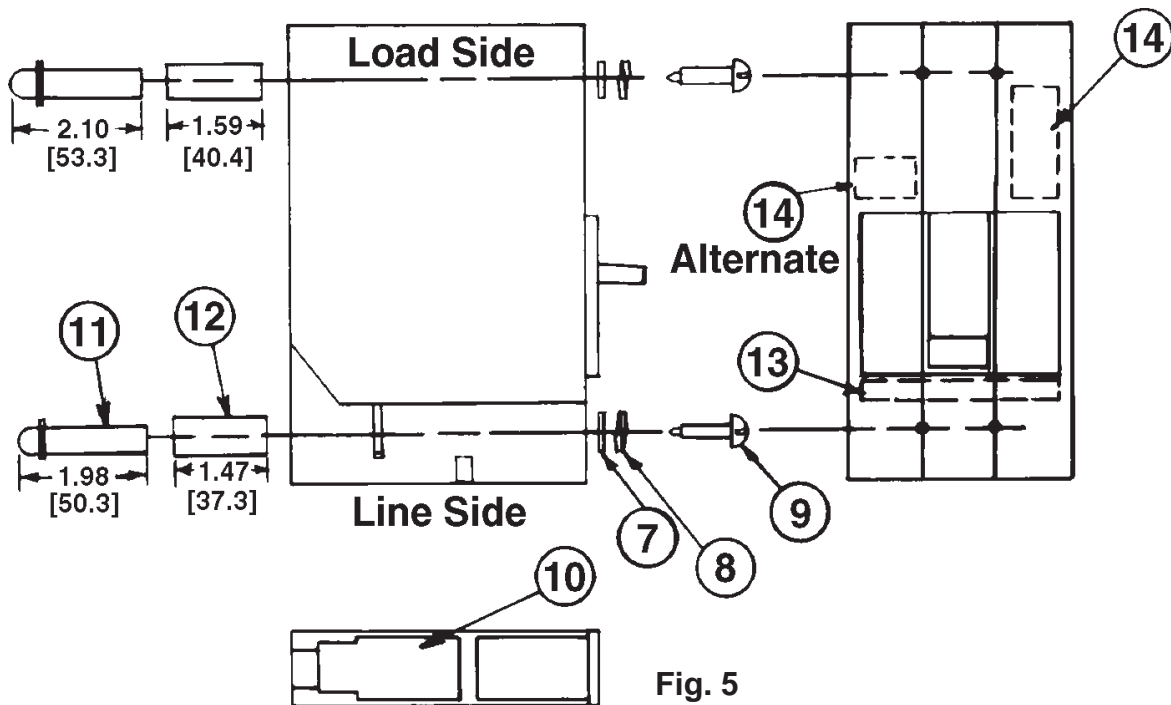
### 1. Circuit Breaker Preparation

The circuit breaker should be in the OFF/"O" position before installing the plug-in-tulip adapter kit. Turn

off and lock out all power supplying this device before installing. Verify that *NO* voltage is present before proceeding with task.

### Remove Pressure Wire Connectors From Breaker If Present

2. Select line side breaker stud and insulator (11) and (12), and assemble to terminals, from back of breaker, and secure to breaker terminals with #12-24 screw and washers (7), (8), (9) as shown in Fig. 4. Recommended tightening torque for these screws is 2½ - 3 ft.lbs. [3.39-4.07 N/m] to assure good electrical connection. Repeat this procedure for the remaining line and load connections, breaker studs and insulators.
3. Insert line end shields (10) into slots provided at line end breaker.
4. Add accessory warning labels (13), (14) to top of breaker as indicated in Fig. 5.
5. Align breaker with plug-in adapter and force male studs (11) over female tulip clips in plug-in adapter. Secure breaker in place with #8 X 4.06 long mounting screws (16). Torque to 12 ± 2 In.-Lb. [1.36 N/m]



**Fig. 5**



# Installation Instructions

