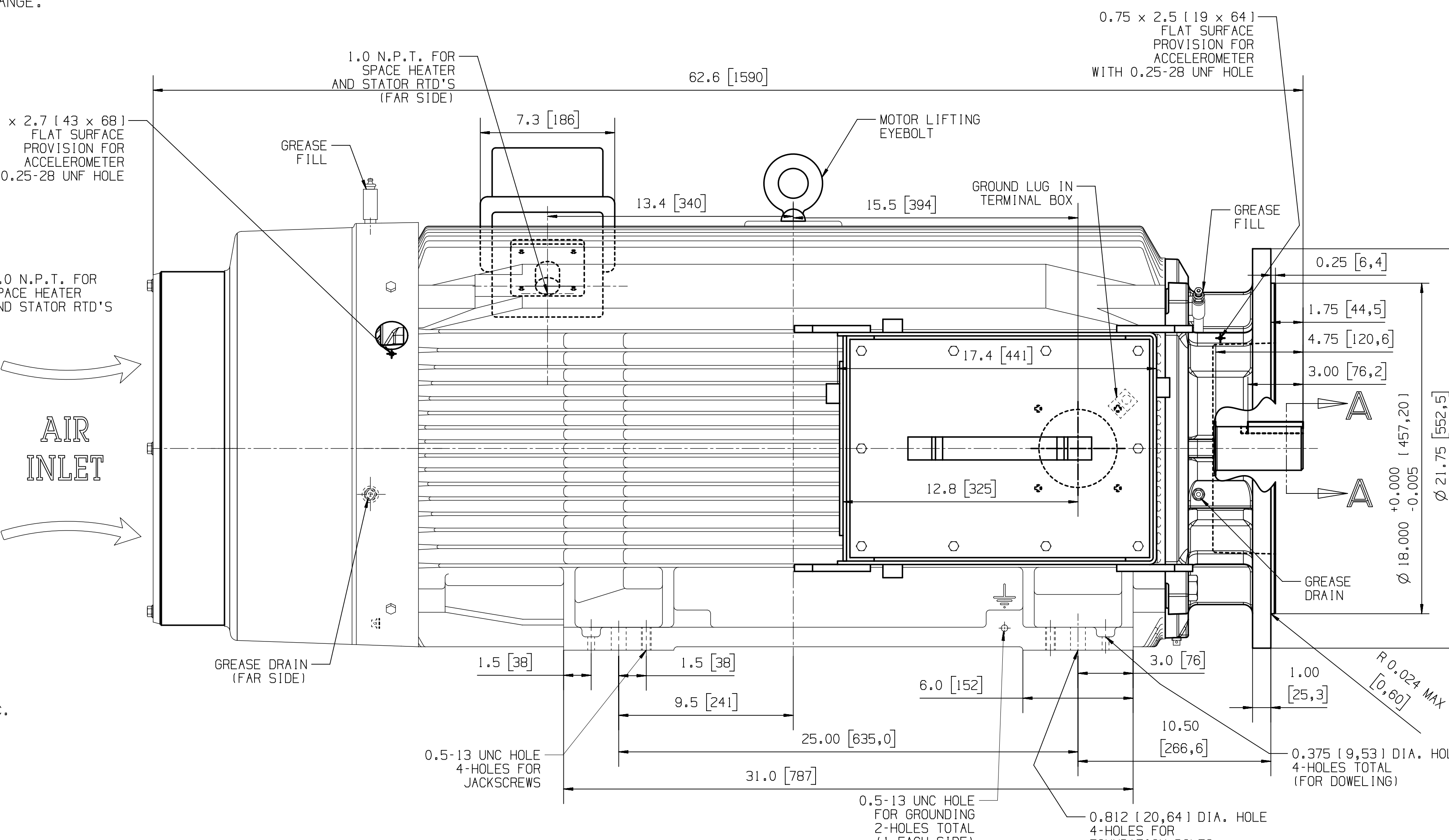
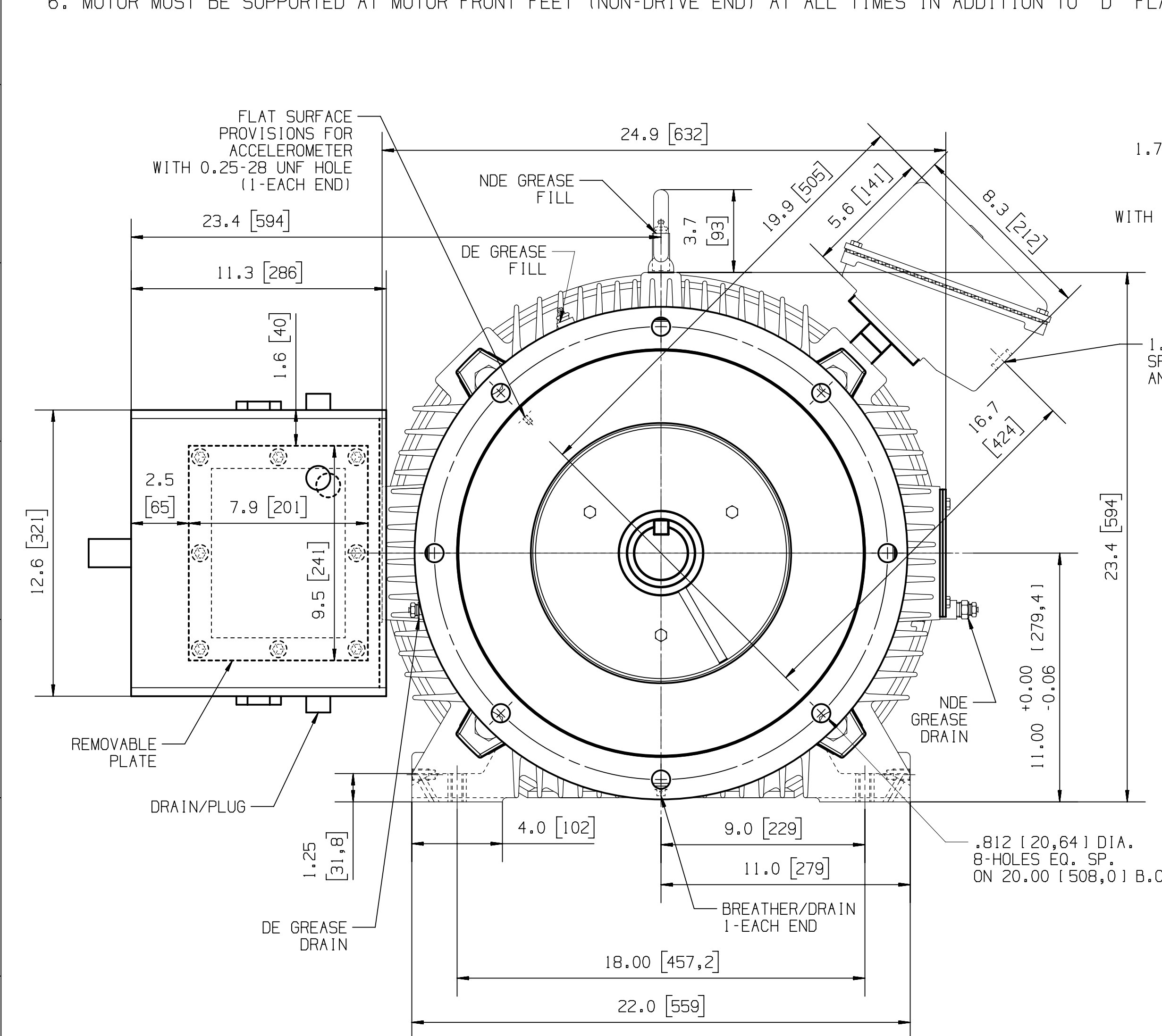
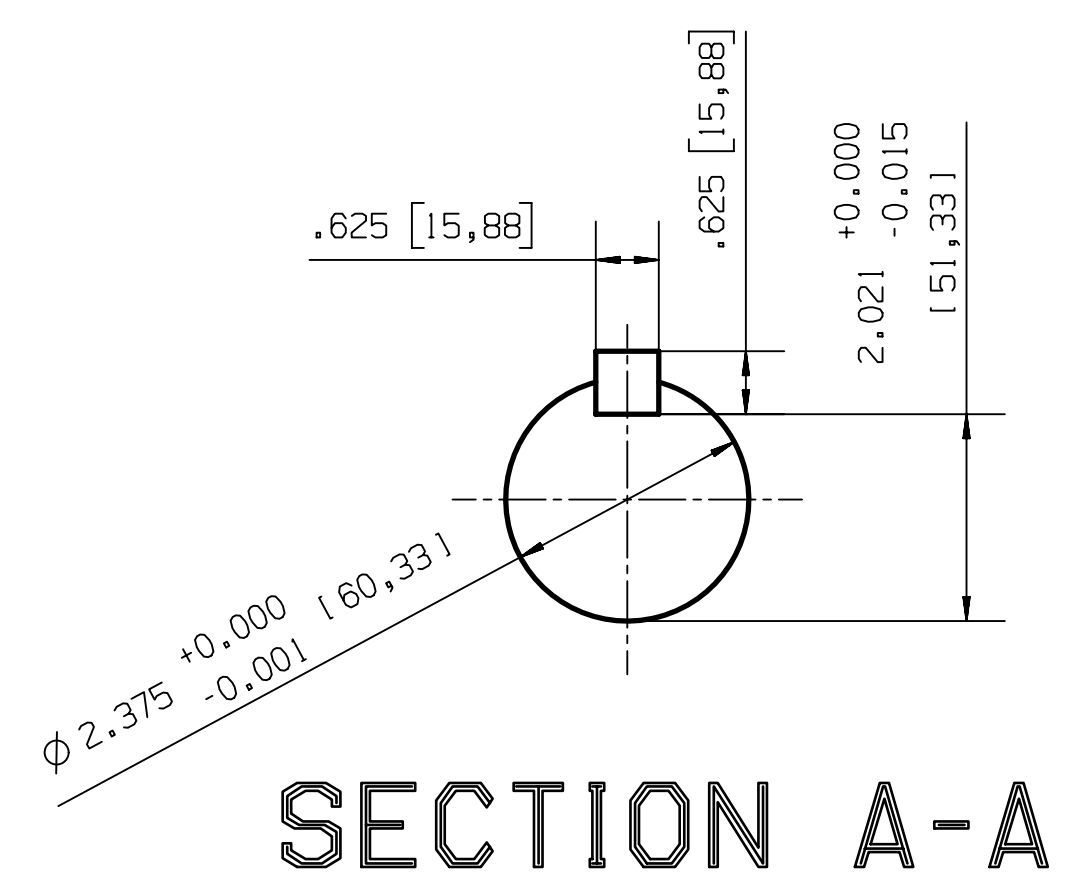
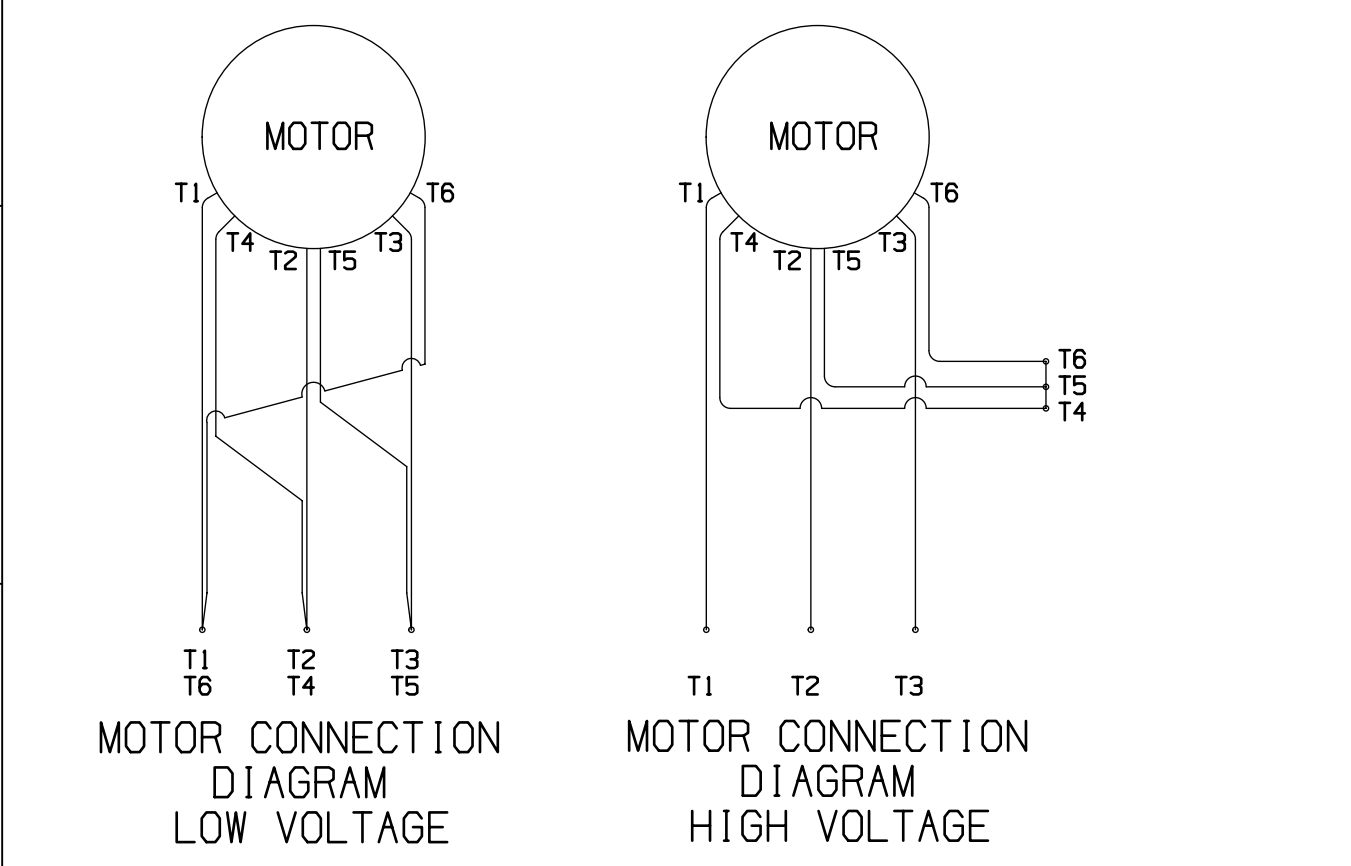
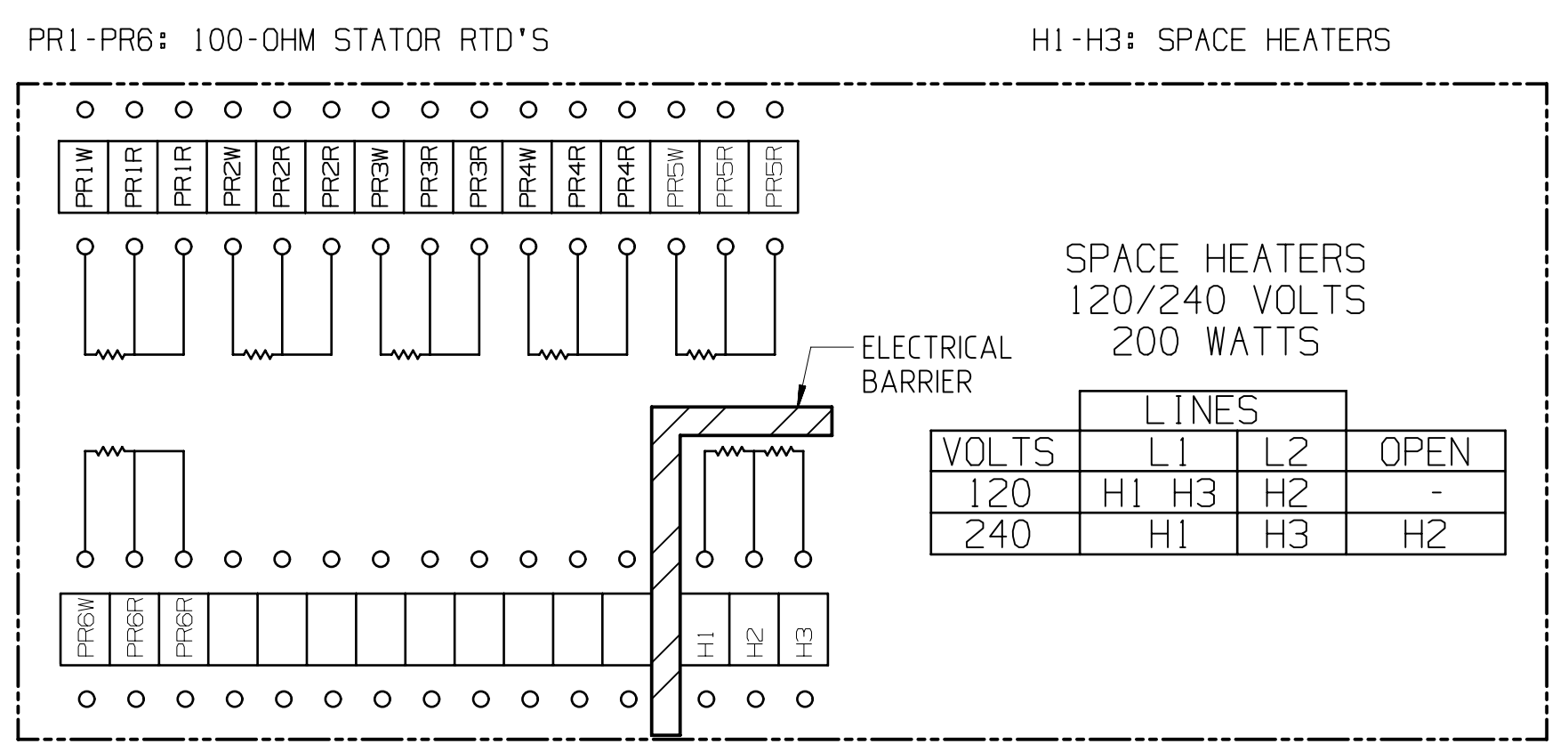


- NOTES:
1. MAIN CONDUIT BOX MAY BE ROTATED IN STEPS OF 90°.
  2. NON-DRIVE END BEARING IS INSULATED, INSULATE ANY CONNECTIONS TO THIS BEARING.
  3. FOR RELUBRICATION OF BEARINGS, SEE LUBRICATION PLATE ON MOTOR.
  4. FOR SAFETY PROCEDURES AND ALIGNMENT REQUIREMENTS, SEE INSTRUCTION MANUAL.
  5. THIS MOTOR IS SUITABLE FOR ONE DIRECTION OF ROTATION ONLY. OPERATION IN THE WRONG DIRECTION MAY RESULT IN OVERHEATING. SEE ARROW ON THE MOTOR ROTATION PLATE FOR DIRECTION OF ROTATION.
  6. MOTOR MUST BE SUPPORTED AT MOTOR FRONT FEET (NON-DRIVE END) AT ALL TIMES IN ADDITION TO "D" FLANGE.



RTD ALARM/SHUTDOWN DATA		
	ALARM	SHUTDOWN
STATOR	155°C	170°C



SECTION A-A

SIEMENS CERTIFIED PRINT  
CUSTOMER INITIATED CHANGES MAY AFFECT PRICE AND DELIVERY  
PRODUCTION WILL PROCEED ON THE BASIS OF THIS DRAWING

FRAME	TYPE	VOLTS	PH	Hz
S449TS	TEFC	2300/4000	3	60

Author	Fortenboher	Product	MLTBProduct-ID
Created	2017-12-13	Item No	A5E43742201A
Approved	2018-11-05 Stengel	Doc No	AA
Department	NAM RC-US1 DT LD APP OPS ENG	Doc Language	en
Change Order	PSA0020551	Doc Type	TB / MB
Doc State	Released	Doc Size	D
Revision	001	Doc Language	de
Revision State	AA	Doc Language	de
Project No		Sheet	1 of 1

SIEMENS 2017 - 2018