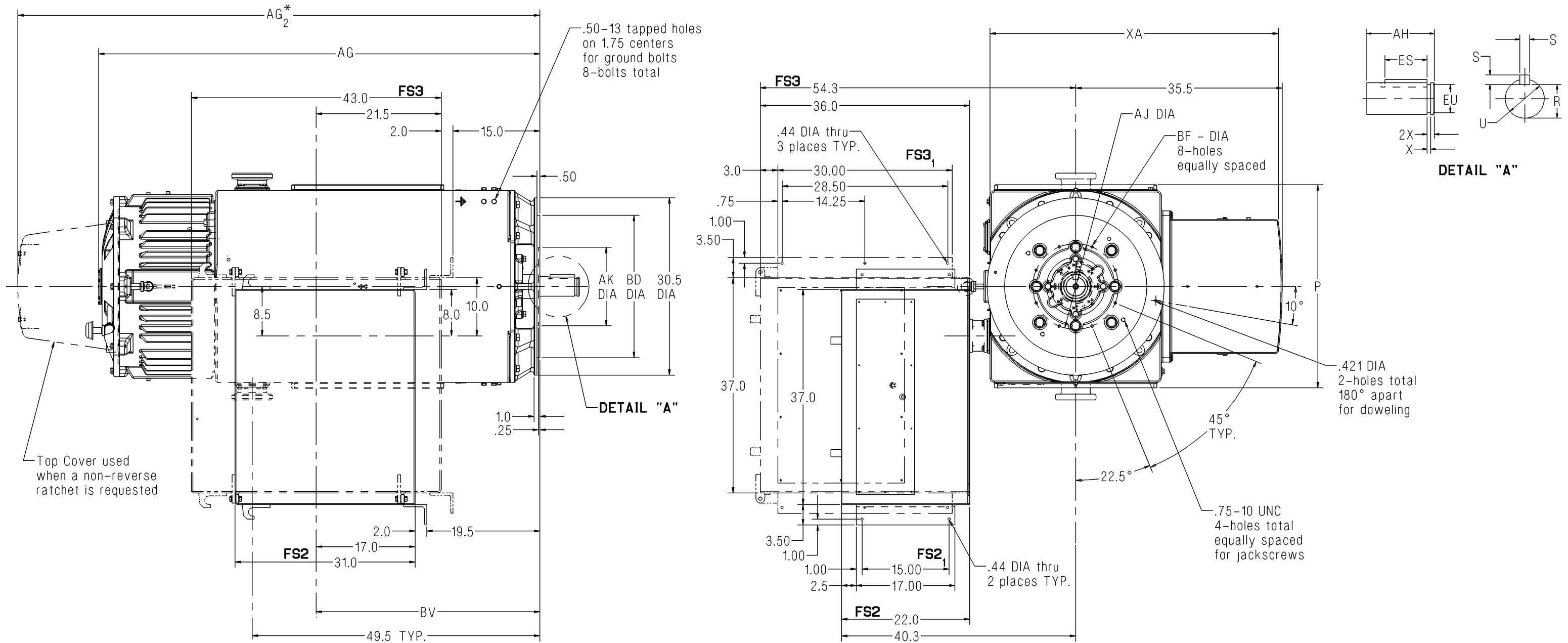


Dimension Prints for Above NEMA Motors



- Notes:**
1. Main conduit box is free standing and must be supported from below by customer. A removable bottom plate is supplied on the FS2 and FS3 conduit boxes. A 3.0" spacer is supplied on the 500 frame for the FS2 and FS3 conduit boxes.
 2. AG* = Length of motor from mounting face to end of top cover when a non-reverse ratchet is requested.
 3. Machines may rotate in either direction, except when non-reverse ratchet is specified.
 4. Adding a rotating labyrinth seal to the drive end does not change any dimensions.

Standard Dimensions in Inches

Frame	AG	AG* ₂	AH	BV	ES	EU	R	S	U	X	P	XA	Standard				Alternate				Approx. Ship Wt. (Lbs)
													BD	AJ	AK	BF	BD	AJ	AK	BF	
500	75.9	92.0	6.75	38.5	4.25	3.000	2.880	0.875	3.375	0.375	35.0	50.3	30.5	26.0	22.0	0.812	24.5	14.75	13.5	0.812	6900

Certification: Customer _____ P.O. _____ S.O. _____ Item _____
 HP _____ RPM _____ Frame _____ PH/HZ/Volts 3/_____/_____
 By _____ Date _____ Terminal Box Size FS2 FS3
 Comments _____
 Not for construction, installation or application purposes unless certified.