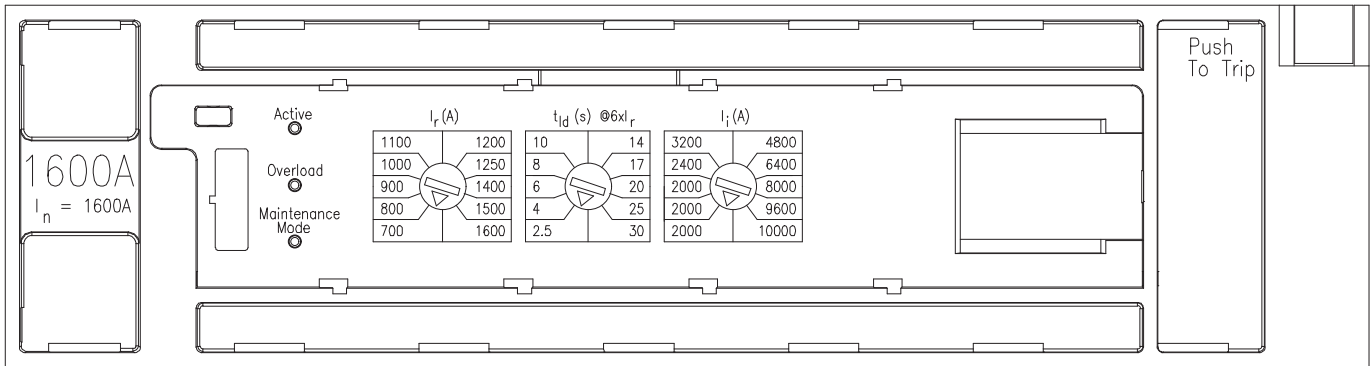


Electronic Trip Unit, LI Model

Switch 1	I_n - Maximum trip unit rating (amps)	I_r - Continuous current rating (amps)									
	1400	500	600	630	700	800	1000	1100	1200	1250	1400
	1600	700	800	900	1000	1100	1200	1250	1400	1500	1600

Switch 2	I_n - Maximum trip unit rating (amps)	t_{ld} - Long time delay (seconds @ $6 \times I_r$)									
	1400, 1600	2.5	4	6	8	10	14	17	20	25	30

Switch 3	I_n - Maximum trip unit rating (amps)	I_i - Instantaneous pickup (amps)									
	1400	1750	1750	2100	2800	4200	5600	7000	8400	9100	10000
	1600	2000	2000	2000	2400	3200	4800	6400	8000	9600	10000



References

I_n = Maximum circuit breaker ampere rating

I_r = Continuous current rating expressed in amperes

I_i = Instantaneous pickup expressed in amperes

I_{sd} = Short time pickup expressed in multiples of I_r

I_g = Ground fault pickup expressed in amperes

t_{sd} = Short time delay - either fixed or I^2t time delay function

t_{ld} = Long time delay - I^2t time delay function

t_g = Ground fault delay - I^2t time delay function

Electronic Trip Unit, LIG Model

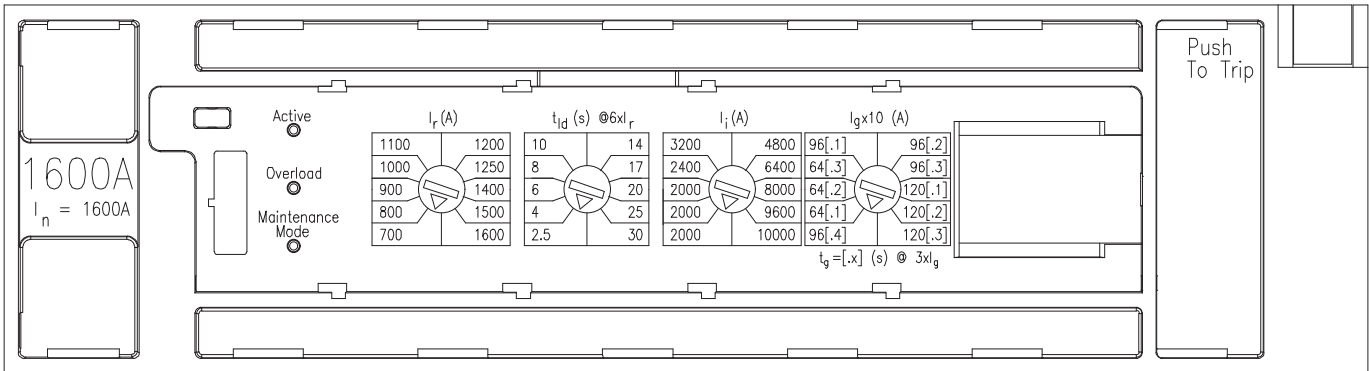
Switch 1	I_n - Maximum trip unit rating (amps)	I_r - Continuous current rating (amps)									
	1400	500	600	630	700	800	1000	1100	1200	1250	1400
	1600	700	800	900	1000	1100	1200	1250	1400	1500	1600

Switch 2	I_n - Maximum trip unit rating (amps)	t_{ld} - Long time delay (seconds @ $6 \times I_r$)									
	1400, 1600	2.5	4	6	8	10	14	17	20	25	30

Switch 3	I_n - Maximum trip unit rating (amps)	I_i - Instantaneous pickup (amps)									
	1400	1750	1750	2100	2800	4200	5600	7000	8400	9100	10000
	1600	2000	2000	2000	2400	3200	4800	6400	8000	9600	10000

Switch 4	I_n - Maximum trip unit rating (amps)	I_g - Ground fault pickup (amps)									
	1400	840	560	560	560	840	840	840	1200	1200	1200
	1600	960	640	640	640	960	960	960	1200	1200	1200

Switch 4	I_n - Maximum trip unit rating (amps)	t_g - Ground fault delay (seconds)									
	1400, 1600	0.4	0.1	0.2	0.3	0.1	0.2	0.3	0.1	0.2	0.3



References

I_n = Maximum circuit breaker ampere rating

I_r = Continuous current rating expressed in amperes

I_i = Instantaneous pickup expressed in amperes

I_{sd} = Short time pickup expressed in multiples of I_r

I_g = Ground fault pickup expressed in amperes

t_{sd} = Short time delay - either fixed or I^2t time delay function

t_{ld} = Long time delay - I^2t time delay function

t_g = Ground fault delay - I^2t time delay function

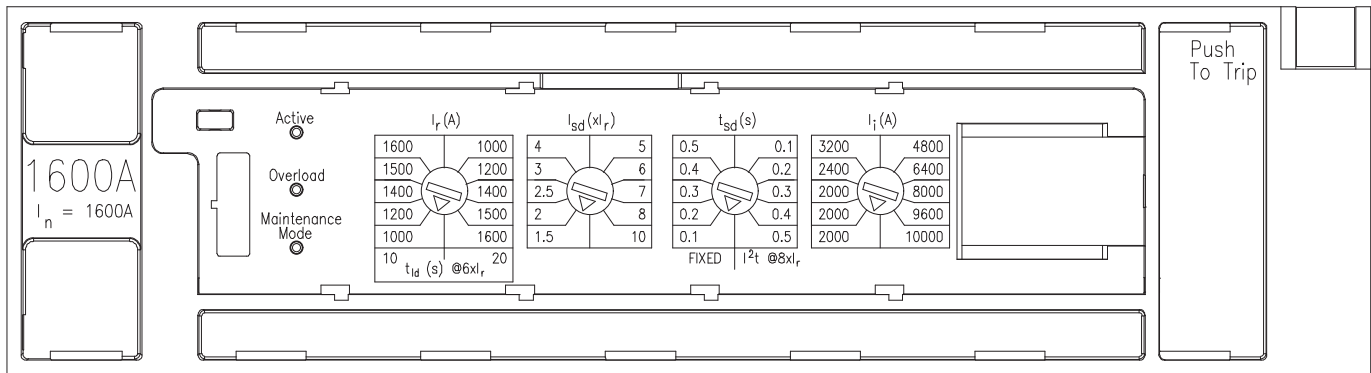
Electronic Trip Unit, LSI Model

Switch 1	I_n - Maximum trip unit rating (amps)	I_r - Continuous amp (amps)									
	1400	800	1000	1100	1200	1400	800	1000	1100	1200	1400
	1600	1000	1200	1400	1500	1600	1000	1200	1400	1500	1600
Switch 1	I_n - Maximum trip unit rating (amps)	t_{ld} - Long time delay (seconds @ $6 \times I_r$)									
	1400, 1600	10	10	10	10	10	20	20	20	20	20

Switch 2	I_n - Maximum trip unit rating (amps)	I_{sd} - Short time pickup (amps) $\times I_r$									
	1400, 1600	1.5	2	2.5	3	4	5	6	7	8	10

Switch 3	I_n - Maximum trip unit rating (amps)	t_{sd} - Short time delay (seconds)									
	1400, 1600	0.1-FIXED	0.2-FIXED	0.3-FIXED	0.4-FIXED	0.5-FIXED	0.1 - $8 \times I_r$	0.2 - $8 \times I_r$	0.3 - $8 \times I_r$	0.4 - $8 \times I_r$	0.5 - $8 \times I_r$

Switch 4	I_n - Maximum trip unit rating (amps)	I_i - Instantaneous pickup (amps)									
	1400	1750	1750	2100	2800	4200	5600	7000	8400	9100	10000
	1600	2000	2000	2000	2400	3200	4800	6400	8000	9600	10000



References

I_n = Maximum circuit breaker ampere rating

I_r = Continuous current rating expressed in amperes

I_i = Instantaneous pickup expressed in amperes

I_{sd} = Short time pickup expressed in multiples of I_r

I_g = Ground fault pickup expressed in amperes

t_{sd} = Short time delay - either fixed or I^2t time delay function

t_{ld} = Long time delay - I^2t time delay function

t_g = Ground fault delay - I^2t time delay function

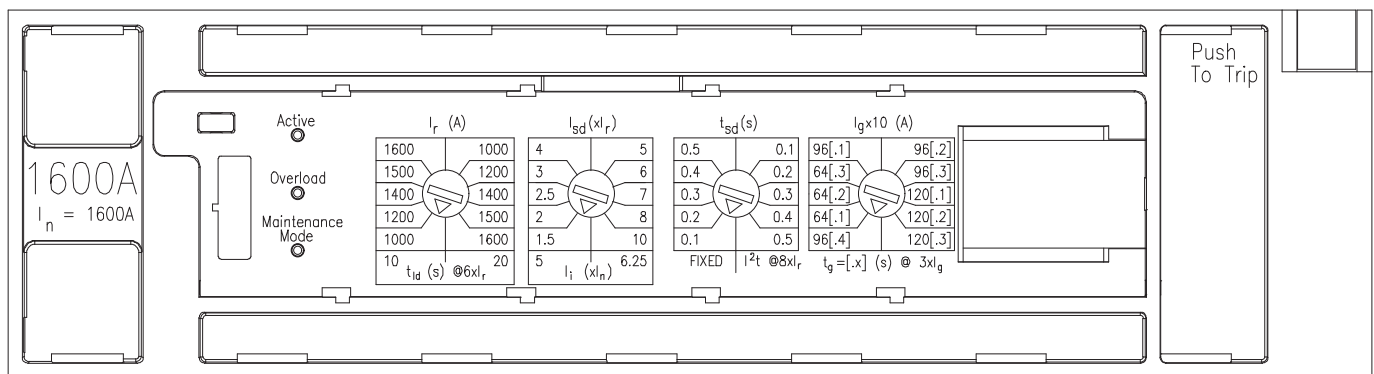
Electronic Trip Unit, LSIG Model

Switch 1	I_n - Maximum trip unit rating (amps)	I_r - Continuous amp (amps)									
	1400	800	1000	1100	1200	1400	800	1000	1100	1200	1400
	1600	1000	1200	1400	1500	1600	1000	1200	1400	1500	1600
Switch 1	I_n - Maximum trip unit rating (amps)	t_{ld} - Long time delay (seconds @ $6 \times I_r$)									
	1400, 1600	10	10	10	10	10	20	20	20	20	20

Switch 2	I_n - Maximum trip unit rating (amps)	I_{sd} - Short time pickup (amps) $\times I_r$									
	1400, 1600	1.5	2	2.5	3	4	5	6	7	8	10
	I_n - Maximum trip unit rating (amps)	I_i - Instantaneous pickup (amps)									
1400	5600	5600	5600	5600	5600	10000	10000	10000	10000	10000	
1600	4800	4800	4800	4800	4800	10000	10000	10000	10000	10000	

Switch 3	I_n - Maximum trip unit rating (amps)	t_{sd} - Short time delay (seconds)									
	1400, 1600	0.1-FIXED	0.2-FIXED	0.3-FIXED	0.4-FIXED	0.5-FIXED	0.1 - 8xI _r	0.2 - 8xI _r	0.3 - 8xI _r	0.4 - 8xI _r	0.5 - 8xI _r

Switch 4	I_n - Maximum trip unit rating (amps)	I_g - Ground fault pickup (amps)									
	1400	840	560	560	560	840	840	840	1200	1200	1200
	1600	960	640	640	640	960	960	960	1200	1200	1200
Switch 4	I_n - Maximum trip unit rating (amps)	t_g - Ground fault delay									
	1400, 1600	0.4	0.1	0.2	0.3	0.1	0.2	0.3	0.1	0.2	0.3



References

I_n = Maximum circuit breaker ampere rating

I_r = Continuous current rating expressed in amperes

I_i = Instantaneous pickup expressed in amperes

I_{sd} = Short time pickup expressed in multiples of I_r

I_g = Ground fault pickup expressed in amperes

t_{sd} = Short time delay - either fixed or I^2t time delay function

t_{ld} = Long time delay - I^2t time delay function

t_g = Ground fault delay - I^2t time delay function

Shipping Weights

Breaker Type	Number per Carton	Shipping Weight (lbs)
SPD6	1	61.5
SHPD6	1	61.5

Accessories

Shunt Trip Combinations

Control Voltage		1 Shunt Trip	1 Shunt Trip and 1 Auxiliary Switch
AC	DC	Catalog Number	Catalog Number
120		S01MN6	S01MN64A
208		S02MN6	-
240		S03MN6	S03MN64A
277		S15MN6	S15MN64A
480		S04MN6	S04MN64A
600		S06MN6	-
	12	S16MN6	S16MN64A
	24	S07MN6	S07MN64A
	48	S09MN6	-
	125	S11MN6	S11MN64A
	250	S12MN6	S13MN64A

Lugs for 75°C Wire

Catalog Number	No of Cables per Connector	Wire Range
TA5P600	5	300-600 kcmil Cu/Al
TC5R600	5	300-600 kcmil Cu Only
TA6R600	6	300-600 kcmil Cu/Al

Undervoltage Trip Combinations

Control Voltage		1 Undervoltage Trip	1 Undervoltage Trip and 1 Auxiliary Switch	1 Undervoltage Trip and 2 Auxiliary Switches
AC	DC	Catalog Number	Catalog Number	Catalog Number
120		U01MN6	U01MN64A	U01MN64AA
208		U02MN6	U02MN64A	U02MN64AA
240		U03MN6	U03MN64A	U03MN64AA
277		U15MN6	U15MN64A	U15MN64AA
480		U04MN6	U04MN64A	U04MN64AA
600		U06MN6	-	-
	24	U07MN6	U07MN64A	U07MN64AA
	48	U09MN6	U09MN64A	U09MN64AA
	125	U11MN6	U11MN64A	U11MN64AA
	250	U13MN6	U13MN64A	U13MN64AA

Neutral Transformers

Ampere Rating	Catalog Number
1400	N14SPD
1600	N16SPD

Accessories

Auxiliary Switch Combinations

Maximum Voltage		1 Form C	2 Form C
AC	DC	Catalog Number	Catalog Number
480	250	A01MN64	A02MN64
-	12	A01MNDLV	A02MNDLV

Alarm Switch Combinations

Maximum Voltage		1 Alarm Switch	1 Alarm Switch and 1 Auxiliary Switch	1 Alarm Switch and 2 Auxiliary Switches
AC	DC	Catalog Number	Catalog Number	Catalog Number
480	250	B00MN64	A01MN64B	A02MN64B

ETU Testing Unit

Breaker Type	Description	Catalog Number
SJD, SLD, SMD, SND, SPD	Power Stick	EPSP18V
	Spare cable for Power Stick	COMPCA

The EPSP18V Power Stick is a hand-held, battery-operated power supply that can be used for trip testing the Sensitrip IV electronic trip units. Requires two 9V batteries.

DAS / Maintenance Mode Option and ZSI

- Optional advanced trip units incorporate DAS (Dynamic Arc Flash Sentry) / Maintenance Mode capability and integrated ZSI (Zone Selective Interlocking)
- Activation of DAS / Maintenance Mode capability requires customer-supplied 24V class II power supply, remote maintenance switch and light
- Trip unit type (Basic or Advanced) is designated in the catalog number as follows:
 - B = Basic – standard ETU (example: SPD6B400LSIG)
 - A = Advanced – ETU with DAS / Maintenance Mode & ZSI (example: SPD6A400LSIG)



Advanced ETU

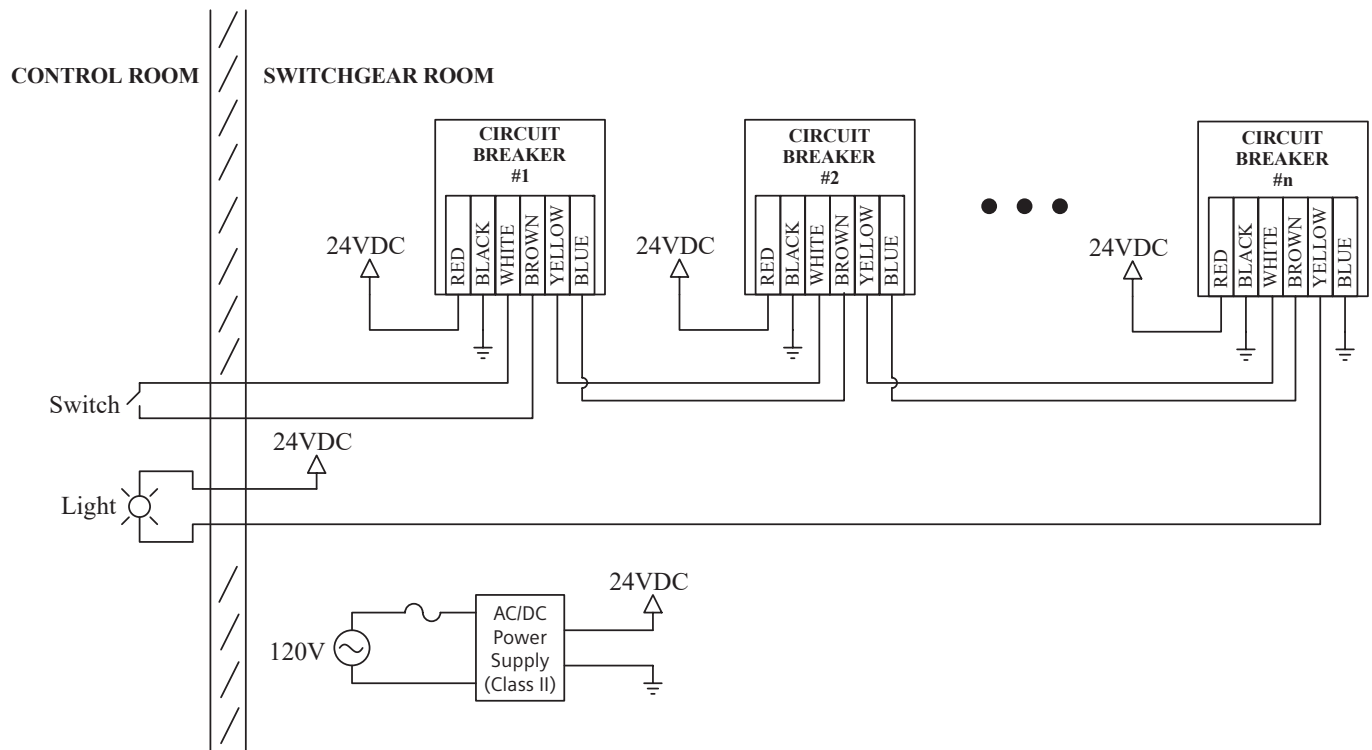


Basic ETU

Recommended Components for DAS / Maintenance Mode

Component		Catalog Number
AC/DC Power Supply		6EP3331-6SB00-0AY0
Maintenance Light		3SU1102-6AA50-1AA0
Maintenance Switch	Keyed	3SU1100-4BF11-1BA0
	Non-keyed	3SU1100-2BF60-1BA0

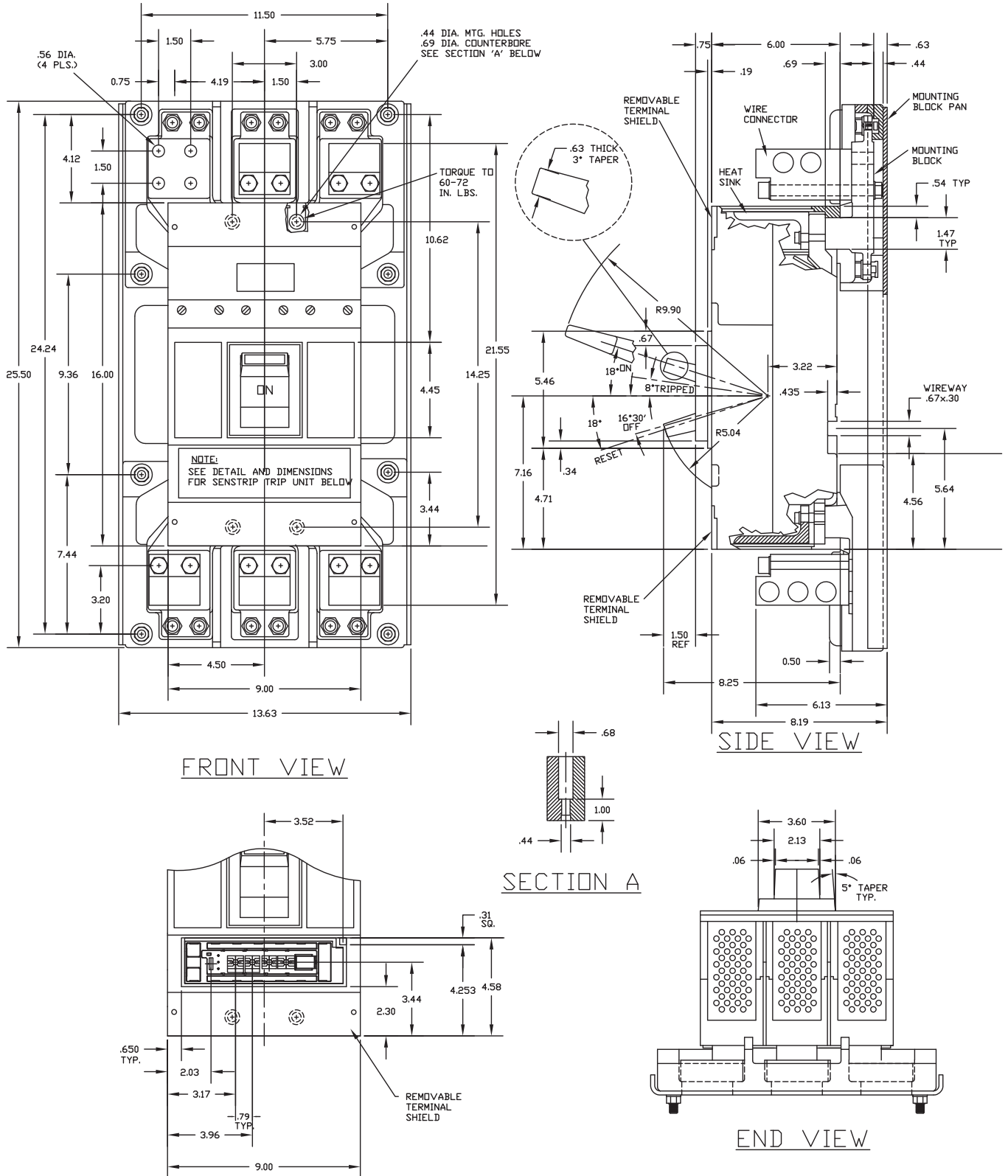
Wiring Diagram for DAS / Maintenance Mode



Dimensional Drawing

Sentron Sensitrip IV Outline Drawing

PD Frame Types SPD6-B, SHPD6-B



**Published by
Siemens 2018**

Siemens Canada Limited
1577 North Service Rd E
Oakville, ON L6H 0H6

Siemens Customer Interaction Center: 1-800-333-7421
cic.ca@siemens.com

All Rights Reserved
© 2018, Siemens Canada Limited
www.siemens.ca/power distribution

The technical data presented in this document is based on an actual case or on as-designed parameters, and therefore should not be relied upon for any specific application and does not constitute a performance guarantee for any projects. Actual results are dependent on variable conditions. Accordingly, Siemens does not make representations, warranties, or assurances as to the accuracy, currency or completeness of the content contained herein. If requested, we will provide specific technical data or specifications with respect to any customer's particular applications. Our company is constantly involved in engineering and development. For that reason, we reserve the right to modify, at any time, the technology and product specifications contained herein.