



**Aux Switch For Door Mounted Rotary Handle Operator**  
 Interruptor Auxiliar Para Accionamiento Giratorio de Montaje en la Puerta  
 Intervertir L'associé Pour Mise en marche giratoire d'assemblage dans la porte

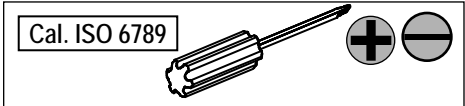
Item:	U.S. Cat. No.	Euro Order No.
	RHSLA1	3VL94002AF11
	RHSLA2	3VL94002AF21
	RHSMA1	3VL96002AF11
	RHSMA2	3VL96002AF21
	RHSPA1	3VL98002AF11
	RHSPA2	3VL98002AF21

For Use With Door Mounted Rotary Handle Operator  
 Para Usar Con Accionamiento Giratorio de Montaje en la Puerta

Installation Instructions / Instructivo de Instalación

	 <b>Danger</b>	 <b>Peligro</b>	 <b>Danger</b>
	<b>Hazardous Voltage.</b> <b>Will cause death or serious injury.</b> Turn off and lock out all power supplying this device before working on this device. Replace all covers before power supplying this device is turned on.	<b>Tensión peligrosa.</b> <b>Puede causar la muerte o lesiones graves.</b> Desenergice totalmente antes de instalar o darle servicio. Reemplace todas las barreras y cubiertas antes de energizar el interruptor.	<b>Tension dangereuse.</b> <b>Danger de mort ou risque de blessures graves.</b> Couper l'alimentation de l'appareil et barrer avant de travailler. Remplacez tous les couverts avant que l'alimentation de pouvoir soit alimenté.

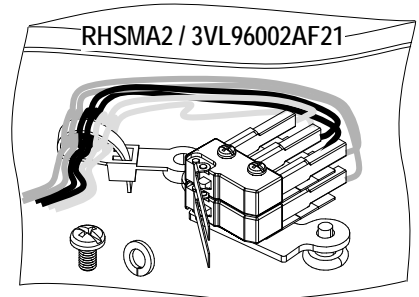
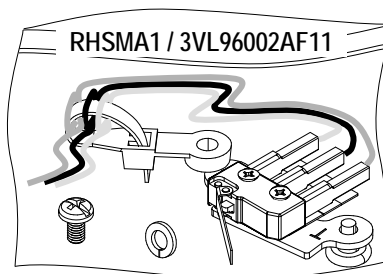
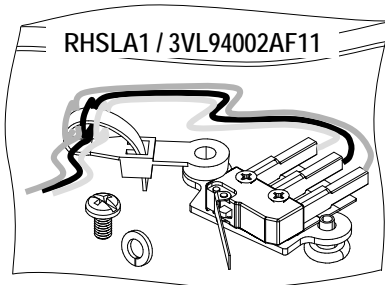
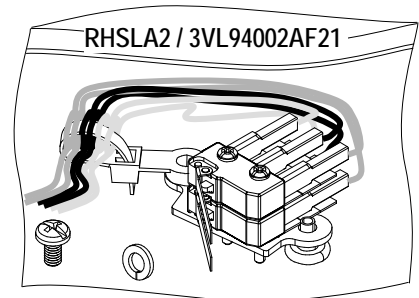
Use only with Siemens certified Components.  
 Utilizar únicamente con componentes certificados de Siemens.  
 A utiliser uniquement avec les composants certifiés Siemens.

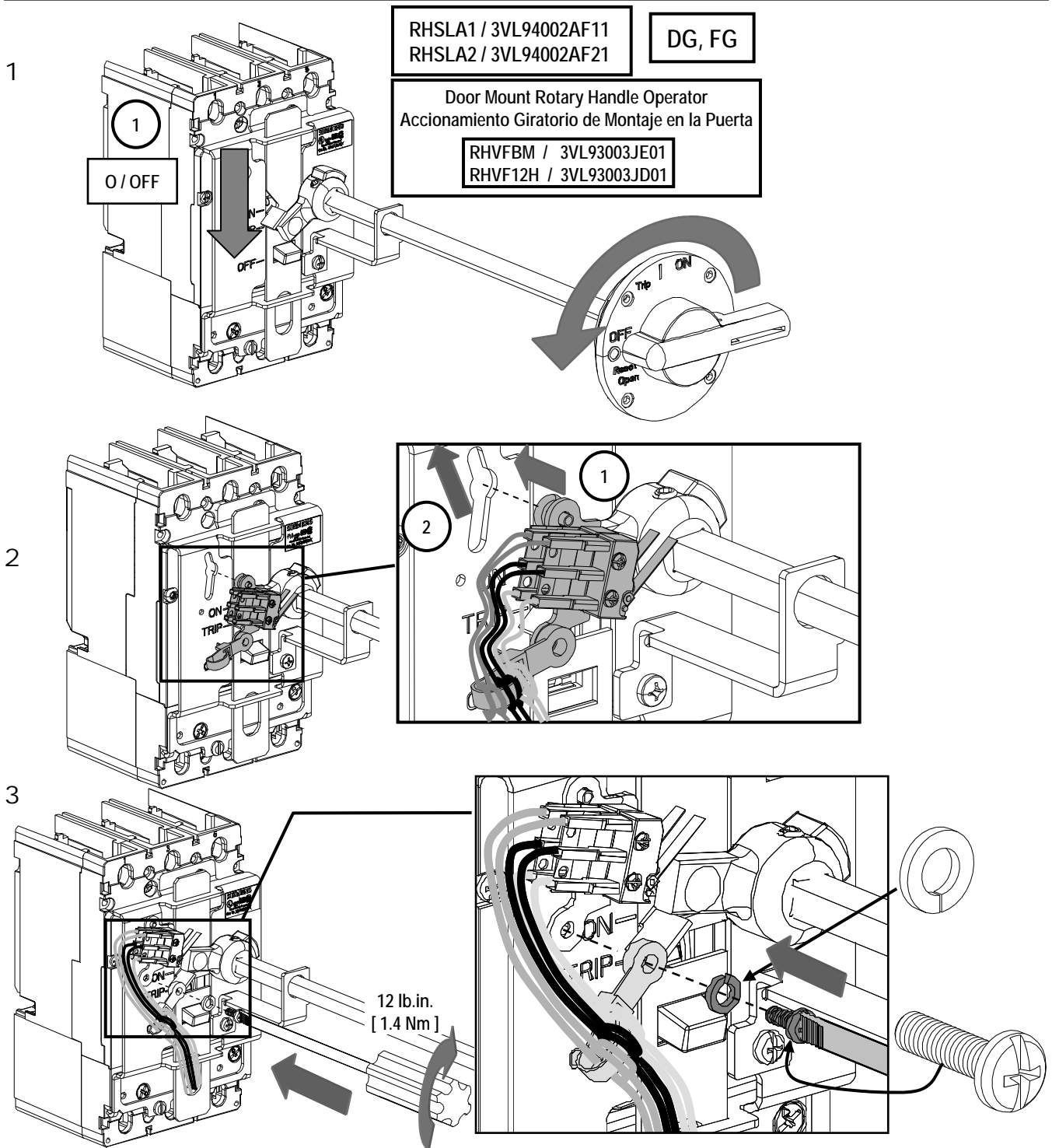
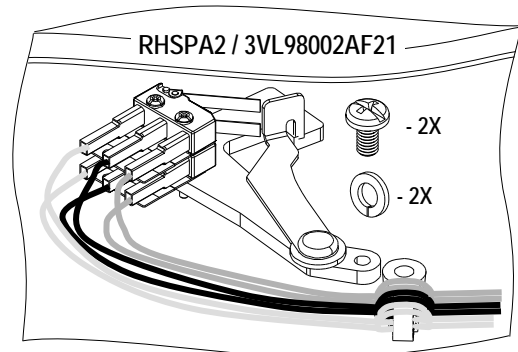
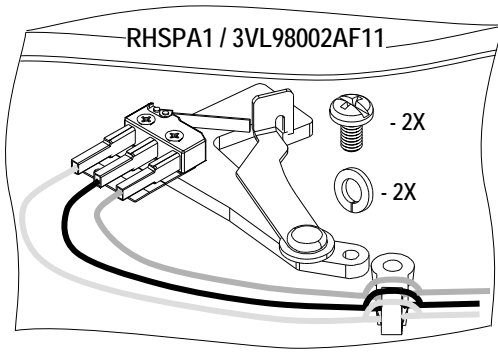


NOTE - These instructions do not purport to cover all details or variations in equipment, or to provide for every possible contingency to be met in connection with installation, operation or maintenance. Should further information be desired or should particular problems arise, which are not covered sufficiently for the purchaser's purposes, the matter should be referred to the local Siemens sales office. The contents of this instruction manual shall not become part of or modify any prior or existing agreement, commitment or relationship. The sales contract contains the entire obligation of Siemens. The warranty contained in the contract between the parties is the sole warranty of Siemens. Any statements contained herein do not create new warranties or modify the existing warranty.

Trademarks - Unless otherwise noted, all names identified by ® are registered trademarks of Siemens AG or Siemens Industry, Inc. The remaining trademarks in this publication may be trademarks whose use by third parties for their own purposes could violate the rights of the owner.

10A, 125 / 250 VAC; 1/4 HP, 125 VAC Switch Manufacturer's Contact Ratings at Direct Voltage [ Intensidad de contacto a voltaje directo por el fabricante ] Minimum Contact Load is 100mA @ 12VAC/DC [ Mínimo Contacto de Carga es 100mA @ 12VAC/DC ]		
Switch Voltage [ Voltaje del interruptor ]	Switch Current Resistive Load [ Carga del interruptor de corriente resistiva ]	Inductive Load L / R = 3ms [ Carga de inducción L/R= 3ms ]
12V	10A	10A
24V	5A	5A
110V	0.5A	0.5A
220V	0.25A	0.25A







### **Danger**

**Hazardous Voltage.**  
Will cause death or serious injury.

Turn off and lock out all power supplying this device before working on this device.  
Replace all covers before power supplying this device is turned on.



### **Peligro**

**Tensión peligrosa.**  
Puede causar la muerte o lesiones graves.

Desenergice totalmente antes de instalar o darle servicio.  
Reemplace todas las barreras y cubiertas antes de energizar el interruptor.

### **Danger**

**Tension dangereuse.**  
Danger de mort ou risque de blessures graves.

Couper l'alimentation de l'appareil et barrer avant de travailler.  
Remplacez tous les couverts avant que l'approvisionnement de pouvoir soit alimenté.

RHSLA1 / 3VL94002AF11  
RHSLA2 / 3VL94002AF21

JG, LG

Door Mount Rotary Handle Operator  
Accionamiento Giratorio de Montaje en la Puerta

RHVL12 / 3VL94003JD01  
RHVLBM / 3VL94003JE01

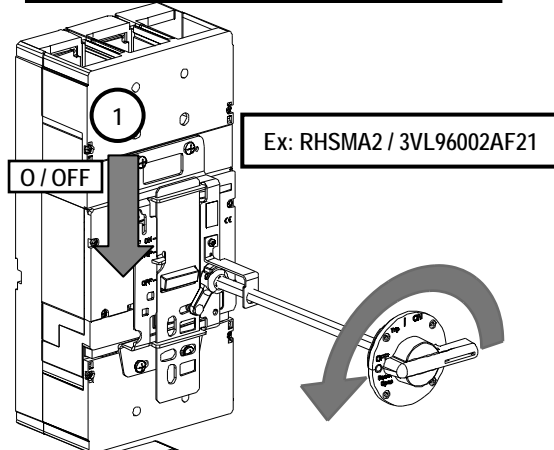
RHSMA1 / 3VL96002AF11  
RHSMA2 / 3VL96002AF21

MG

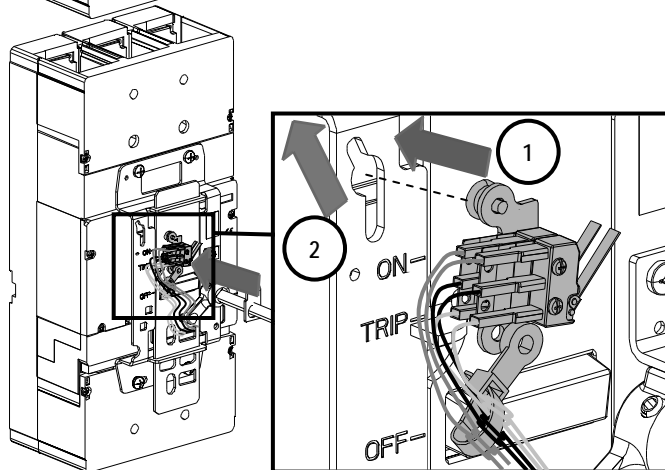
Door Mount Rotary Handle Operator  
Accionamiento Giratorio de Montaje en la Puerta

RHVM12 / 3VL96003JD01  
RHVMBM / 3VL96003JE01

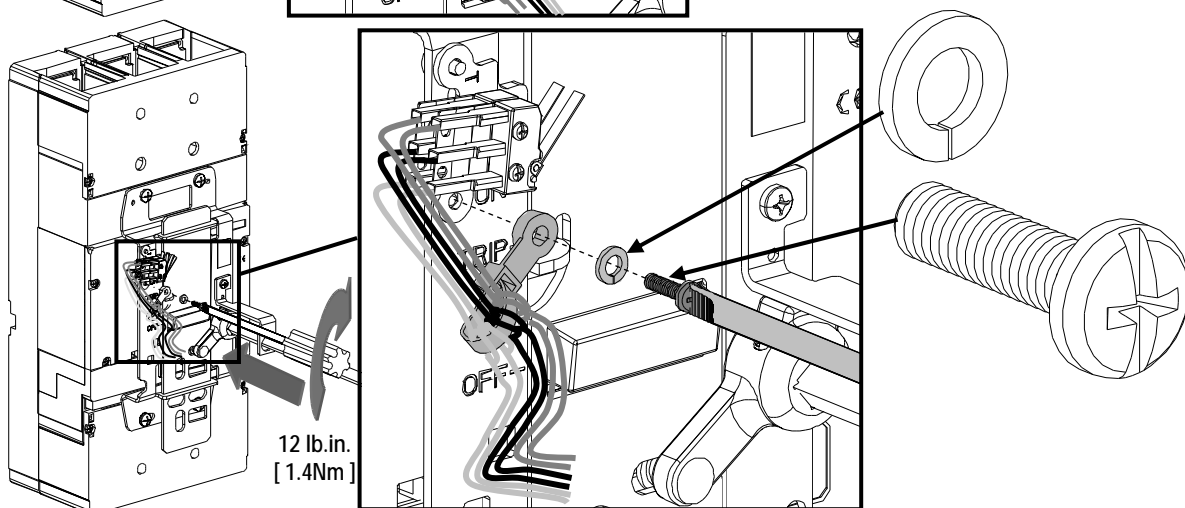
1



2



3

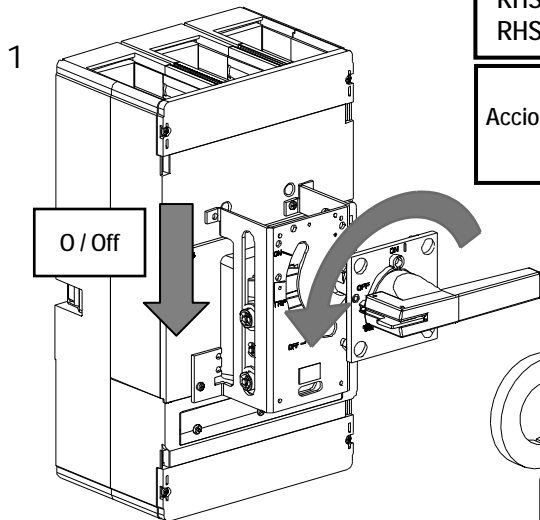


RHSPA1 / 3VL98002AF11  
RHSPA2 / 3VL98002AF21

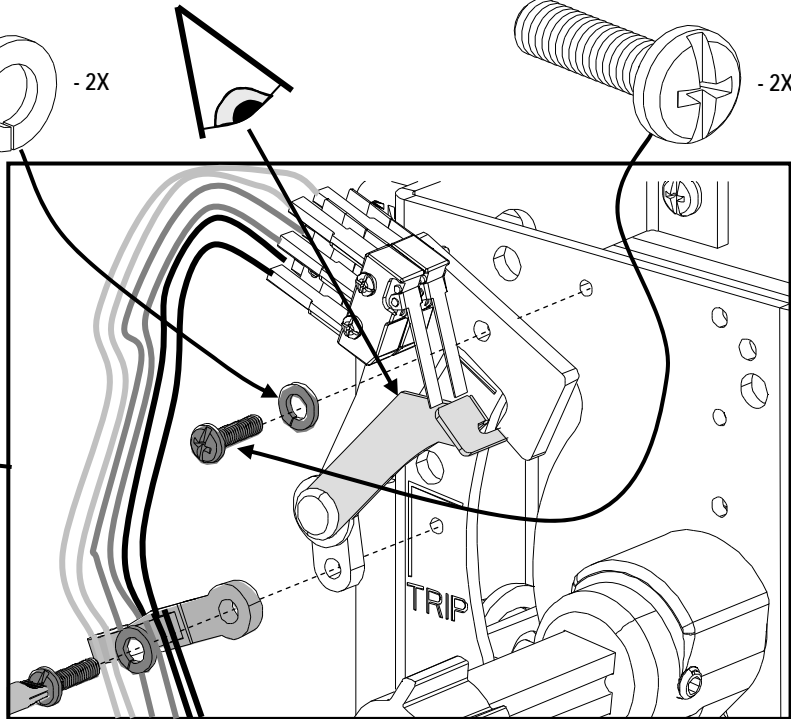
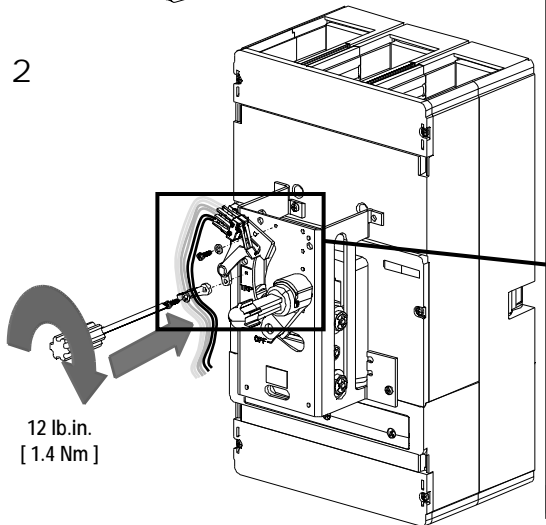
NG, PG

Door Mount Rotary Handle Operator  
Accionamiento Giratorio de Montaje en la Puerta

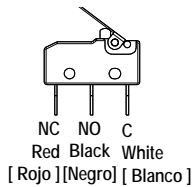
RHVPBM / 3VL98003JE01



Lever must rotate freely  
[ La palanca debe girar libremente ]



Test:  
[ Prueba: ]



	Red [Rojo] NC	NO Black [Negro]	Result [Resultado]	
ON / I	O	I	OK	Finished / Ready [ Terminado / Listo ]
ON / I	O	I	<del>OK</del>	Call Technical Support [ Llamar a Soporte Técnico ]
OFF / O	I	O	OK	Finished / Ready [ Terminado / Listo ]
OFF / O	I	O	<del>OK</del>	Call Technical Support [ Llamar a Soporte Técnico ]

For Support in Europe refer to :

Bestell-Nr. / Order No.: 3ZX1012-0VL68-8CA1

Internet: [www.siemens.de/lowvoltage/technical-assistance](http://www.siemens.de/lowvoltage/technical-assistance)

GWA 4NEB 1796829-10 DS 02

Technical Support:

Toll Free: 1-800-241-4453

Internet: [www.usa.siemens.com/powerdistribution](http://www.usa.siemens.com/powerdistribution)