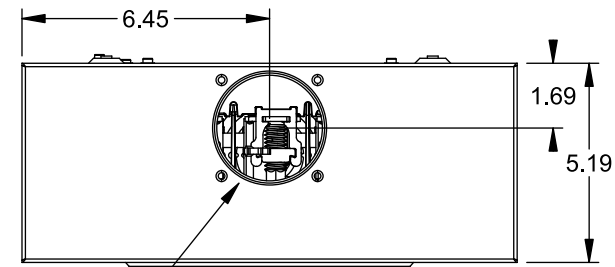
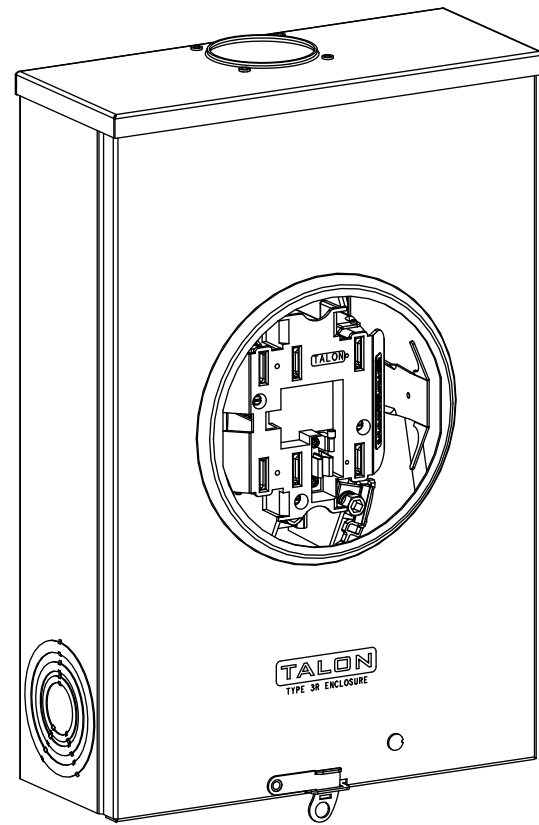


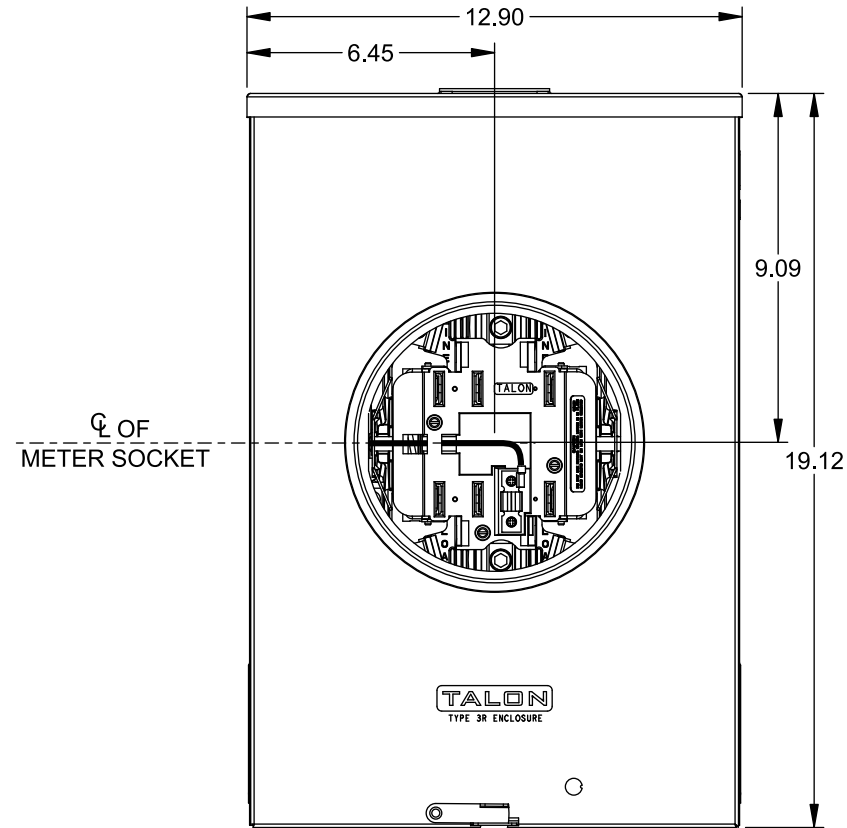
Catalog Number: 40407-01NU

Features and Ratings

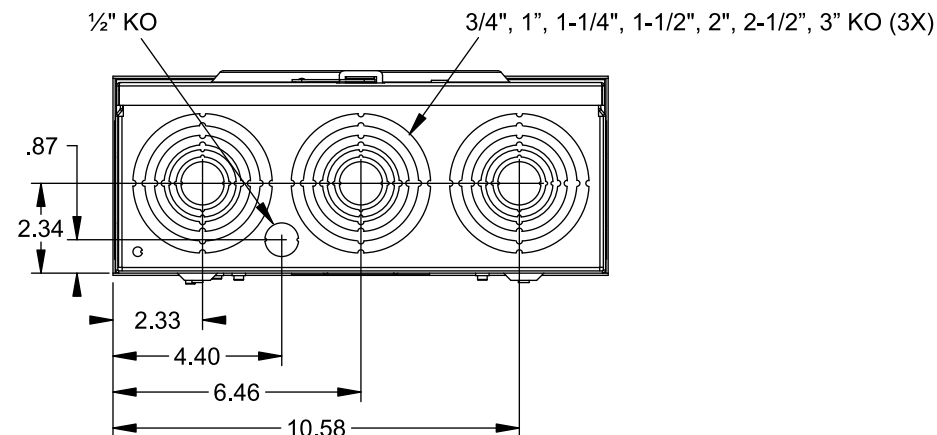
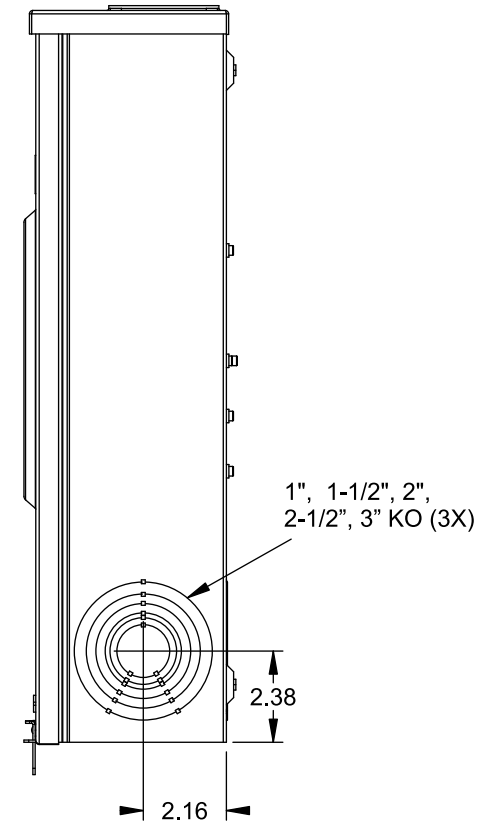
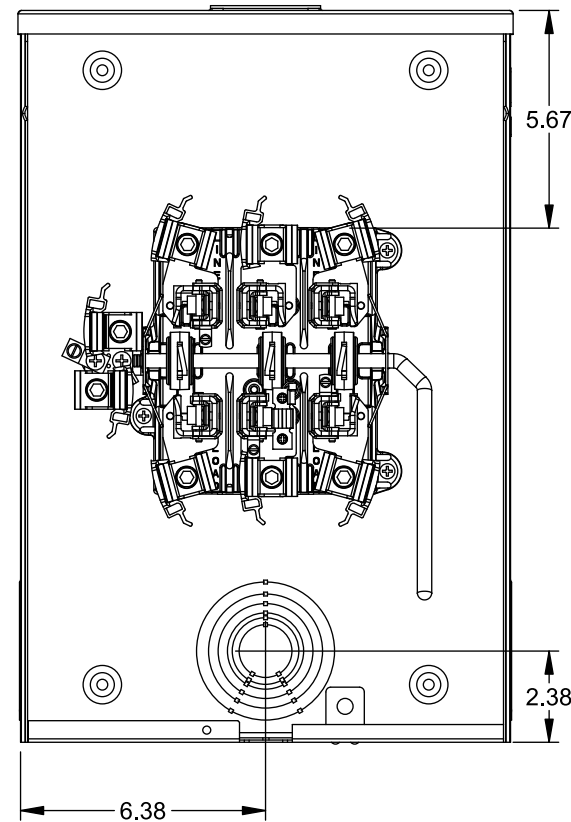
- Ringless Type Meter Socket
- 200A Continuous, 200A Max., 600V AC
- Outdoor Enclosure (NEMA Type 3R)
- Painted Steel Enclosure
- 3 Phase, 4 Wire
- 7 Jaw Meter Socket
- Meter Socket Type HQ-7U
- For Overhead & Underground Service
- RX Type Hub Opening
- Lever Bypass
- 7/16" Barrel Lock Provision w/Bracket
- One Ground Lug Installed



TYPE RX (SMALL) HUB OPENING



VIEW SHOWN WITH COVER REMOVED



Accessories

| CONDUIT HUBS (RX Type) | |
|------------------------|---------------------|
| TRADE SIZE | CATALOG No. |
| 1-1/4 INCH | EC38597 or H38597-2 |
| 1-1/2 INCH | EC38598 or H38598-2 |
| 2 INCH | EC38599 or H38599-2 |
| 2-1/2 INCH | EC38600 or H38600-2 |

Hub Cover Plate EC38595 or H38595-1

Meter Opening Cover Plate
Cat No: H659-0162

Connectors, Wire Sizes and Torques

| CONNECTOR | WIRE SIZE | TORQUE |
|----------------------|----------------|--------------|
| LINE, LOAD, NEUTRAL* | #6 - 350 kcmil | 275 IN.-LBS. |
| GROUND | #14 - 2 AWG | 45 IN.-LBS. |

* External Hex Drive 1/2"
* Internal Hex Drive 5/16"

© 2015 Copyright Siemens Industry, Inc.

TALON
Meter Socket

Description: **200A Cont, 7 Jaw, HQ-7U, 600V AC, Painted Steel Enclosure**

JEL 8/30/15 DO NOT SCALE DRAWING Dwg No: **40407-01NU**