

| REVISION | DATE | BY | DATE | BY |
|----------|------|---------|----------|----|
| | | DRAWN | 05/05/17 | GR |
| | | CHEK'D | | |
| | | VERIF'D | | |

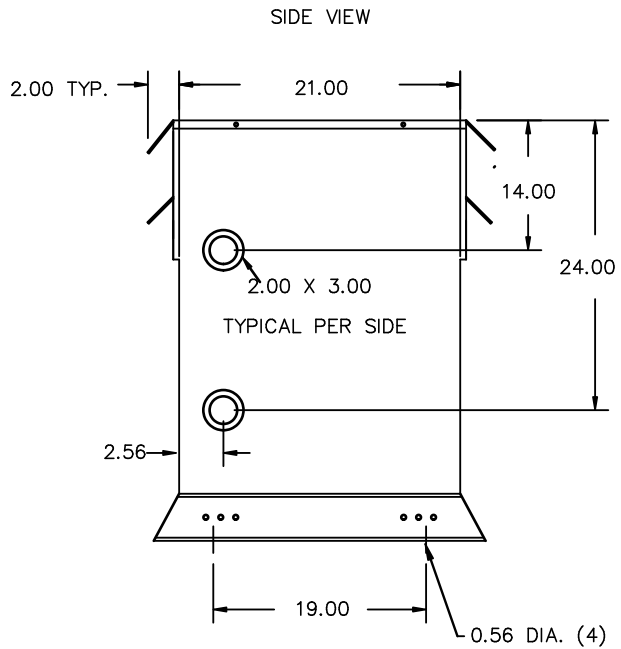
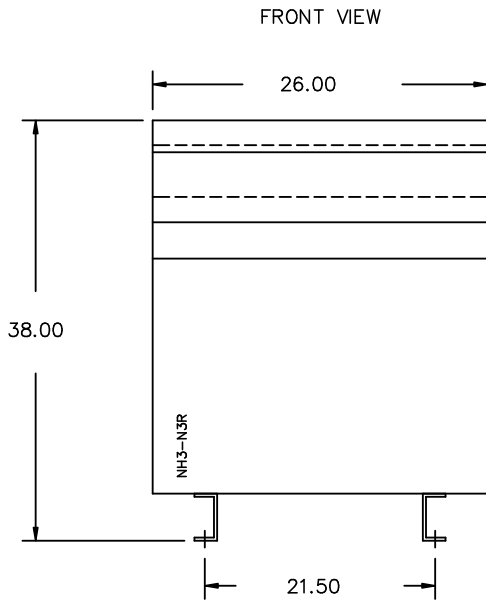
| | |
|-----------|-------------|
| CUSTOMER | |
| ORDER NO. | DWG. NO. |
| | 1D1Y050BTP1 |
| | SH 1 OF 2 |

Confidential - Property of
Siemens Industry, Inc.
 Building Technologies Division

SIEMENS

| | |
|---|---|
| CATALOG NO. 1D1Y050BTP1 SERIAL NO. SERIES H 50 kVA 60 Hz 1 PHASE 5.9 % IMP AT 100 °C | |
| 80 °C RISE °C AVG. AMBIENT 220 °C TEMP CLASS °C MAX. AMBIENT PRIMARY (H1 H3 H2 H4) 240X480V V SECONDARY(X4 X2 X3 X1) 120/240V V | |
| WINDING MATERIAL AL ENCLOSURE TYPE NEMA-3R WEIGHT 500 LBS ENERGY EFFICIENCY NEMA TP 1-2002 | |
| SPACINGS BETWEEN ENCLOSURE AND ANY ADJACENT WALL SHALL BE A MINIMUM OF 6 INCHES SUITABLE FOR INDOOR OR OUTDOOR LOCATIONS DO NOT INSTALL IN AREAS ACCESSIBLE TO PUBLIC FOR INSTALLATION SEE INSTRUCTION MANUAL NEMA Class ANN Dry Type Transformer Siemens Industry, Inc. Norcross, GA | LISTED DISTRIBUTION TRANSFORMER 77US TYPE F E112313 dsu0082e1 |





All Dimensions in inches

ENCLOSURE COLOR :ANSI 61 GREY – OUTDOOR

H.V.1. TERMINAL DETAIL

L.V.1. TERMINAL DETAIL

MECHANICAL TYPE LUGS INCLUDED
SUITABLE FOR 250MCM-6 CU/AL
CONDUCTORS
1 CONDUCTOR PER PHASE

MECHANICAL TYPE LUGS INCLUDED
SUITABLE FOR 600MCM-2 CU/AL
CONDUCTORS
1 CONDUCTOR PER PHASE

CUSTOMER NOTES:

- HV1 TERMINATED AT TOP FRONT
- LV1 TERMINATED AT BOTTOM FRONT

Confidential – Property of
Siemens Industry, Inc.
Building Technologies Division

| REVISION | DATE | BY | DATE | BY |
|----------|------|---------|----------|----|
| | | DRAWN | 05/05/17 | GR |
| | | CHEK'D | | |
| | | VERIF'D | | |

| | | |
|-----------|-------------|-----------|
| CUSTOMER | | |
| ORDER NO. | DWG. NO. | |
| | 1D1Y050BTP1 | SH 2 OF 2 |

0.3 root 2011/01/11 10:26