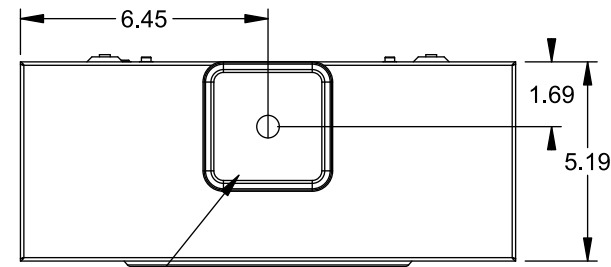
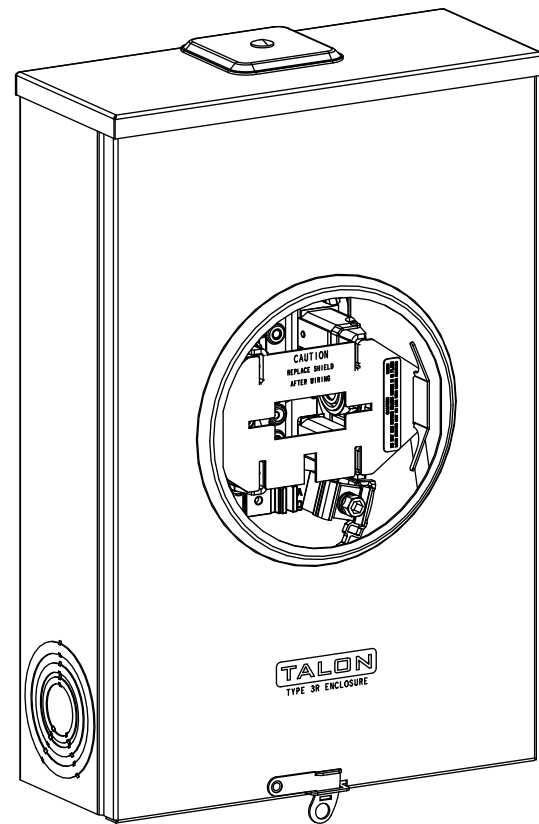


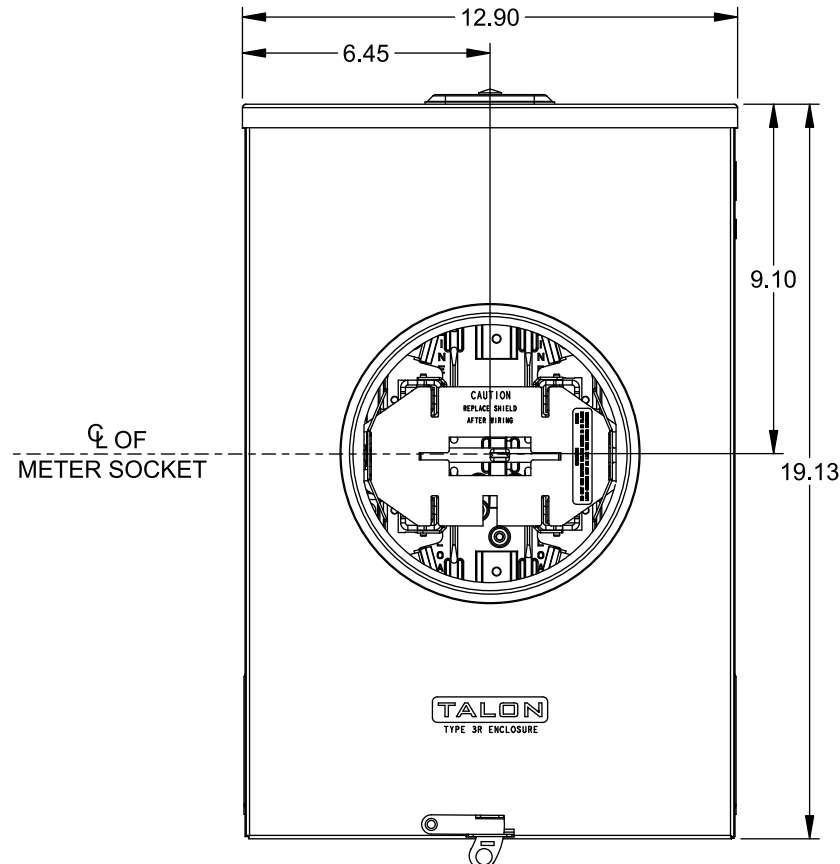
Catalog Number: 40404-0250

Features and Ratings

- Ringless Type Meter Socket
- 200A Continuous, 200A Max., 600V AC
- Outdoor Enclosure (NEMA Type 3R)
- Painted Steel Enclosure
- 1 Phase, 3-Wire, 600VAC
- 4 Jaw Meter Socket
- Meter Socket Type HQ-4GU
- For Overhead & Underground Service
- RX Type Hub Opening, Cover Plate Installed
- Lever Bypass
- One Ground Lug Installed

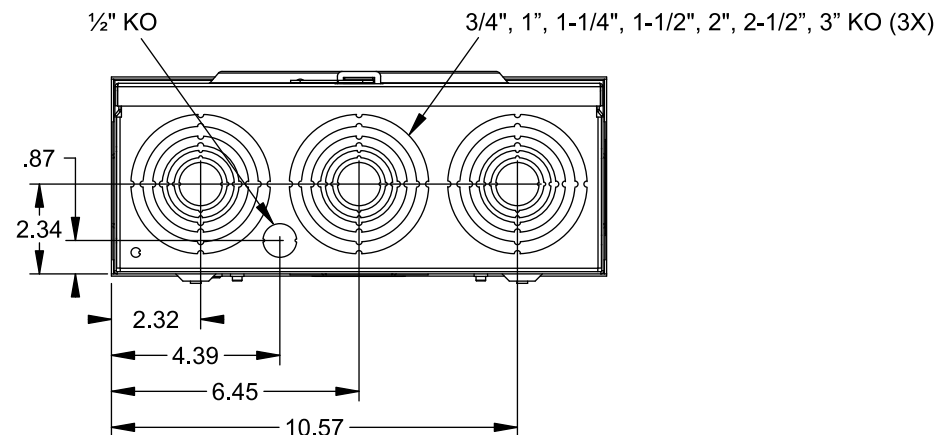
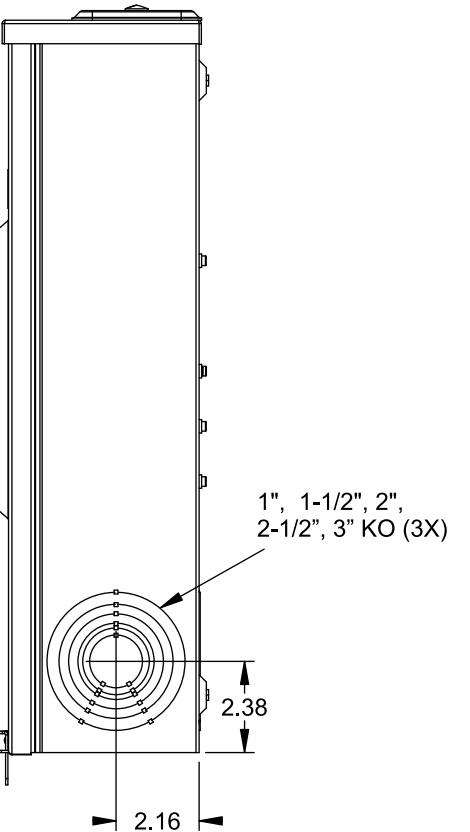
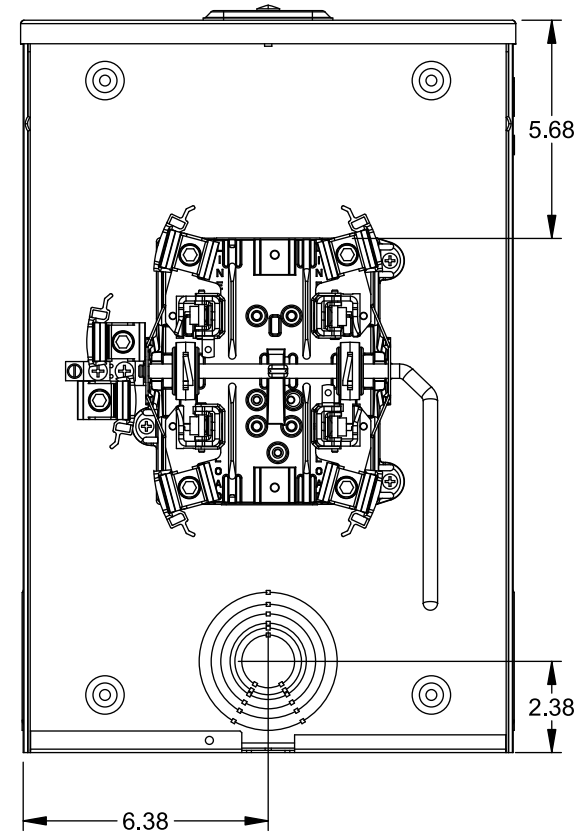


TYPE RX (SMALL) HUB OPENING
COVER PLATE INSTALLED



☉ OF
METER SOCKET

VIEW SHOWN WITH COVER REMOVED



Accessories

CONDUIT HUBS (RX Type)	
TRADE SIZE	CATALOG No.
1-1/4 INCH	EC38597 or H38597-2
1-1/2 INCH	EC38598 or H38598-2
2 INCH	EC38599 or H38599-2
2-1/2 INCH	EC38600 or H38600-2

Hub Cover Plate EC38595 or H38595-1

Meter Opening Cover Plate

Cat No: H659-0162

5th Jaw Kit @ 9 o'clock Position

Cat. No: EC35815-2

Connectors, Wire Sizes and Torques

CONNECTOR	WIRE SIZE	TORQUE
LINE, LOAD, NEUTRAL*	#6 - 350 kcmil	275 IN.-LBS.
GROUND	#14 - 2 AWG	45 IN.-LBS.

* External Hex Drive 1/2"

* Internal Hex Drive 5/16"

© 2015 Copyright Siemens Industry, Inc.

TALON

Meter Socket

Description: **200A Cont, 4 Jaw, HQ-4GU,
600V AC, Painted Steel Enclosure**

JEL 7/30/15 | DO NOT SCALE DRAWING | Dwg No: **40404-0250**