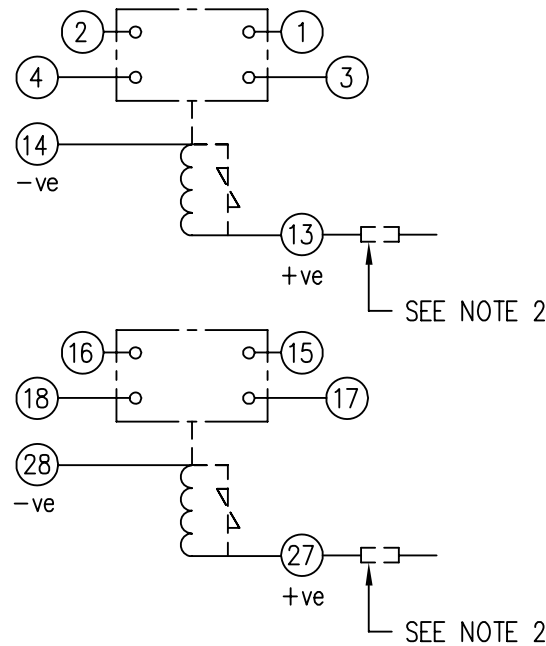


LOOKING ON FRONT OF RELAY



NOTE:

1. HEAVY DUTY CONTACTS ARE FITTED WITH BLOWOUT MAGNETS AND ARE POLARITY CONSCIOUS. SEE TABLE FOR +VE TERMINAL.
2. 125V VERSION HAS EXTERNAL RESISTOR FITTED.

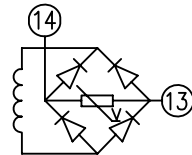
PRINTED ON 06/05/2010
 ENSURE CORRECT REVISION
 DESTROY AFTER USE

KEY

- make contact
- break contact
- c/o contact
- ext. conn
- plug bridge - shorting
- metering point
- 5Kv barrier
- test socket - shorting
- plug & socket

CONTACT CONFIG.	OUTPUT CONTACT PAIR / TERMINAL No.					
TOP →	1-3	2-4	5-7	6-8	9-11	10-12
BOT. →	15-17	16-18	19-21	20-22	23-25	24-26
2M	M	M				
2M(HD)	M+	M+				
1M(STD) 1M(HD)	M+	M				
1M 1B	M	B				
2B	B	B				

NOTE: WHEN RECTIFIER IS SPECIFIED COIL CONNS. ARE AS SHOWN.



FRAME REFERENCE: E2FAQQ.

FRAME TERMINAL BLOCK ASSY: -

ASSEMBLY INSTRUCTIONS: -

TYPICAL ASSEMBLY DRAWING 2995G10032.

AT INDICATED POSITIONS FIT AS FOLLOWS:

T - FIT TRIP ISOLATION CONTACT 2995B10053

S - FIT STANDARD CONTACT 2995B10054

SECURE CONTACTS USING FIXING SCREW

2109F99009.

POSITIONS SHOWN BLANK ARE UNUSED

2	T	T	1
4	T	T	3
6			5
8			7
10			9
12			11
14	S	S	13
16	T	T	15
18	T	T	17
20			19
22			21
24			23
26			25
28	S	S	27

VIEW FROM NUMBERED SIDE OF BLOCK

OUTER TERMINAL BLOCK ASSY: -

ASSEMBLY INSTRUCTIONS: -

TYPICAL ASSEMBLY DRAWING 2995G10029.

AT INDICATED POSITIONS FIT AS FOLLOWS:

S - FIT STANDARD CONTACT 2995B10051

HC - FIT 'HEAVY CURRENT' KIT 2995G10030

WHERE IS SHOWN FIT CT SHORTING

KIT 2995G10031

POSITIONS SHOWN BLANK ARE UNUSED.

ALL POSITIONS FIT SCREW 2106F12506.

2	S	S	1
4	S	S	3
6			5
8			7
10			9
12			11
14	S	S	13
16	S	S	15
18	S	S	17
20			19
22			21
24			23
26			25
28	S	S	27

VIEW FROM INSIDE FACE

Copyright © 1998 VATECH REYROLLE ACP Ltd. Hebburn

			Title: T.B. AND W.D. FOR XR205 2 CONTACT RELAYS IN EPSILON E2 CASE.		First used on:		
4 RDW	06/05/10	MN112/3286			Similar Articles:		
3 RDW	02/01/03	MN112/2453			Supersedes:		
2	19/06/01	MN112/2103			Drg.No.		
1	29/04/99				2112W50105		
ISSUE	DATE	MOD.No.	VATECH REYROLLE AUTOMATION, CONTROL & PROTECTION				
DRAWN:	A.LAW.	CHECKED:	A.LAW.	APPROVED:	RD.WATSON	DATE:	19/6/01
				IE:	OPS:		