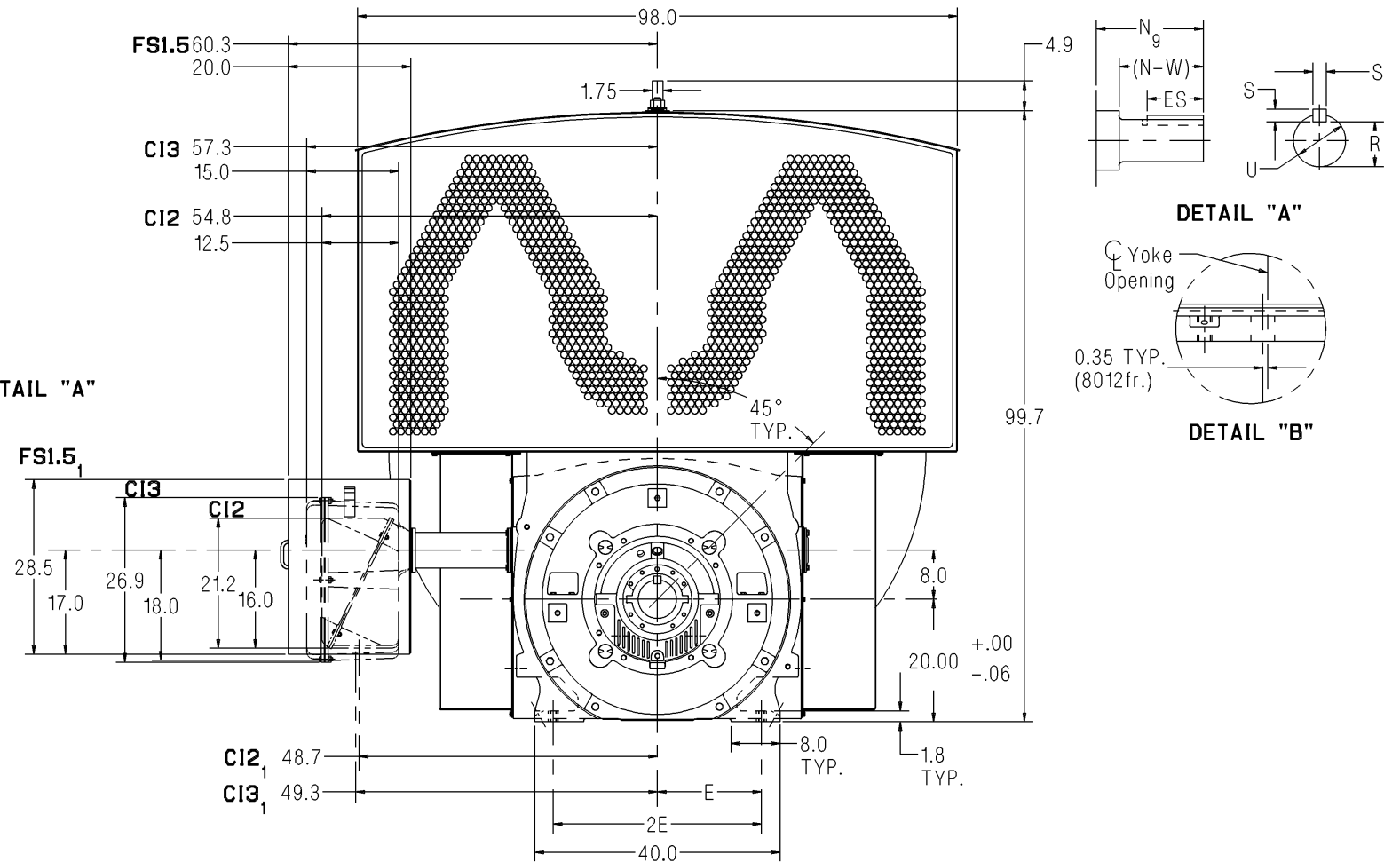
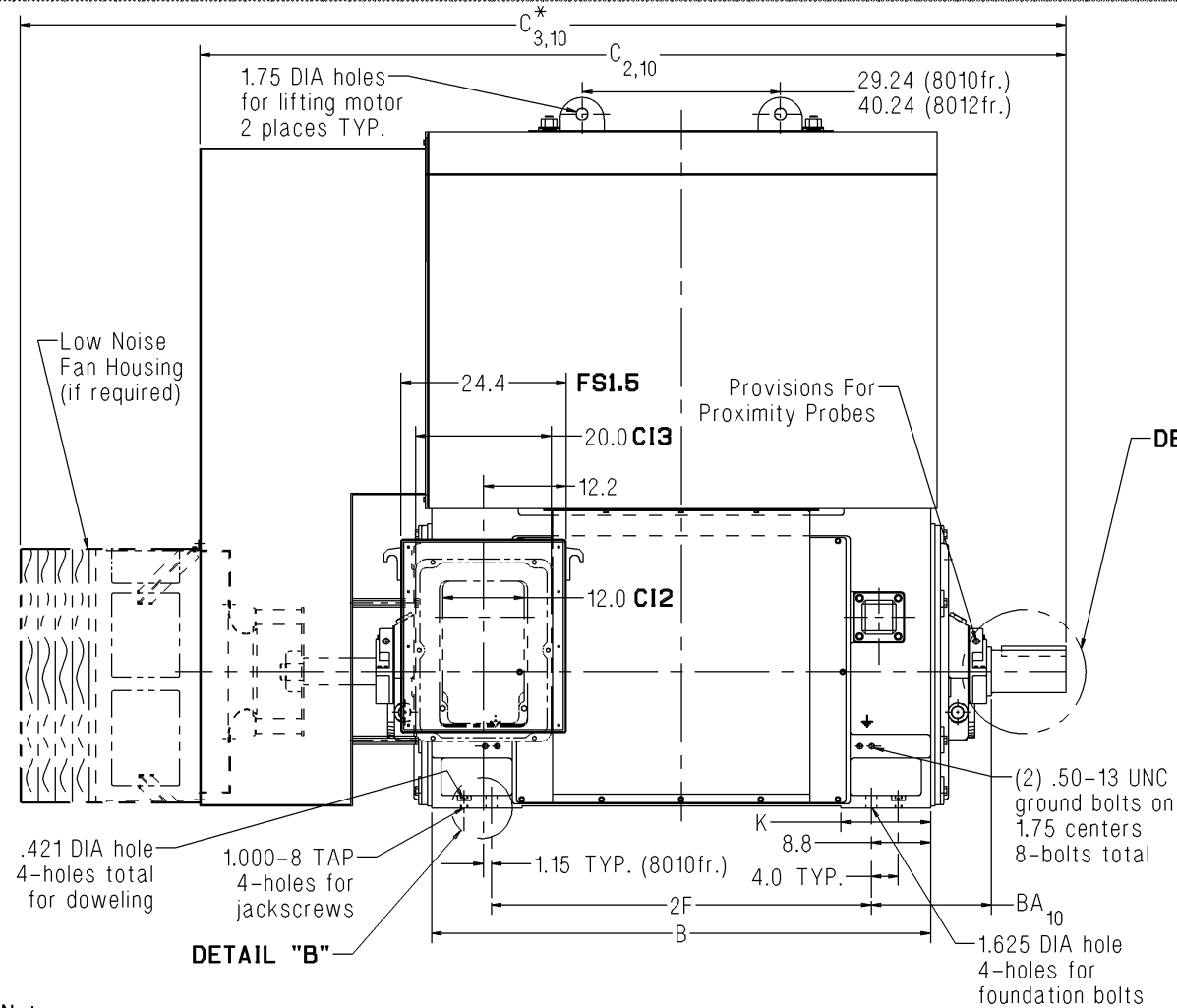


# SIEMENS

## Dimension Prints for Above NEMA Motors

### Type CAZ – Horizontal – TEAAC with Shaft Mounted Fan Sleeve Bearing With Provisions For External Proximity Probes – Direct Connected Frames 8010 / 8012 – 4 Pole & Slower – Rotatable Main Conduit Box



#### Notes:

- Main conduit box may be rotated 90° towards drive end only. A removable bottom plate is supplied on the FS1.5 conduit box. A 5.0 N.P.T. is supplied on the CI2 and CI3 conduit boxes. A 16.0" spacer is supplied on both frames for all rotatable conduit boxes.
- C = Length of motor from drive end of shaft to end of standard fan housing.
- C\* = Length of motor from drive end of shaft to end of low noise fan housing.
- V = (N-W)-0.25" = length of shaft available for coupling.
- Machines may rotate in one direction only.
- Shims may be necessary under motor feet for direct connection.
- Rotor end float = 0.5"
- End float of LEF coupling = 0.19"
- Adding a rotating labyrinth seal to the drive end decreases N by: 4 Pole & Slower: 0.55"
- When adding a ground brush, consult the factory. (BA, C, and C\* will increase.)
- For motors without proximity probes use print CAZ\_800\_4plusPL\_SLV\_ROT.
- Approximate Ship Weight is based on standard aluminum cooling tubes.

Lubrication Per Bearing
4 Pole & Slower
290-350 SUS @ 100°F
6.0 qt. capacity

#### Standard Dimensions in Inches

Shaft	Frame	Speed	B	BA <sub>10</sub>	C <sub>2,10</sub>	C* <sub>3,10</sub>	E	2F	K	N <sub>9</sub>	(N-W)	R	S	U	V <sub>4</sub>	ES	Approx. Ship Wt. (Lbs) <sup>12</sup>
Short	8010	4 Pole & Slower	73.6	17.75	127.7	154.2	17.0	56.0	13.3	11.75	11.0	5.408	1.50	6.250	10.75	9.5	23000
Short	8012	4 Pole & Slower	88.6	17.75	138.0	169.2	17.0	71.0	14.8	11.75	11.0	5.408	1.50	6.250	10.75	9.5	27700

Certification: Customer \_\_\_\_\_ P.O. \_\_\_\_\_ S.O. \_\_\_\_\_ Item \_\_\_\_\_  
 HP \_\_\_\_\_ RPM \_\_\_\_\_ Frame \_\_\_\_\_ PH/HZ/Volts 3/\_\_\_\_\_/\_\_\_\_\_  
 By \_\_\_\_\_ Date \_\_\_\_\_ Terminal Box Size CI2  CI3  FS1.5

Comments \_\_\_\_\_  
 Not for construction, installation or application purposes unless certified.

CAZ\_800\_4plusPL\_SLVPRB\_ROT  
 Revision 01  
 01/21/09