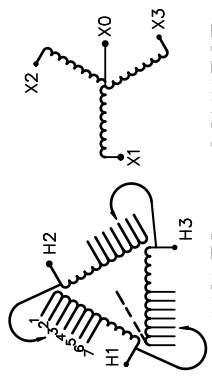


| | | | | |
|----------|------|---------|----------|----|
| REVISION | DATE | BY | DATE | BY |
| | | DRAWN | 16/03/28 | PP |
| | | CHEK'D | | |
| | | VERIF'D | | |

Confidential - Property of
Siemens Industry, Inc.

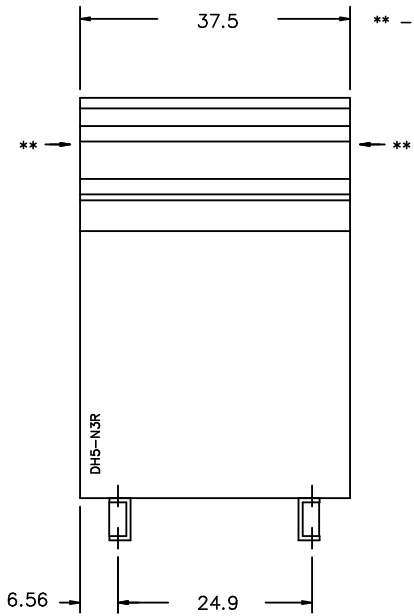
| | | | |
|----------|-----------|-----------------|-----------|
| CUSTOMER | ORDER NO. | DWG. NO. | SH 1 OF 2 |
| | | 3F3Y225K13FCD16 | |

SIEMENS

| | | | |
|-----------------------------------------------------------------------------------------------------------------------------------------------------------------------------------------------------------------|-------------------------|-----------------------------------------------------------------------------------|---------|
| CATALOG NO. 3F3Y225K13FCD16 SERIAL NO. SERIES H 225 kVA 60 Hz 3 PHASE 3 % IMP AT 135 °C | |  | |
| 115 °C RISE | 30 °C AVG. AMBIENT | VOLTS | CONNECT |
| 220 °C TEMP CLASS | 40 °C MAX. AMBIENT | 504 | 1 |
| PRIMARY (H1 H2 H3) | 480V V 10 kV BIL | 492 | 2 |
| SECONDARY(X0 X1 X2 X3) | 208Y/120V V 10 kV BIL | 480 | 3 |
| WINDING MATERIAL | CU | 468 | 4 |
| ENCLOSURE TYPE | 3R | 456 | 5 |
| WEIGHT | 2000LBS | 444 | 6 |
| ENERGY EFFICIENCY | EXCEEDS CSA C802.2-2012 | 432 | 7 |
| DOE 10 CFR PART 431:2016 SPACINGS BETWEEN ANY VENTILATED ENCLOSURE PANEL AND ANY ADJACENT WALL SHALL BE A MINIMUM OF 5 INCHES EXCEPT WHEN WALL MOUNTED USING APPROVED WALL MOUNTING KIT ELECTROSTATIC SHIELD | | | |
| SUITABLE FOR NONSINUSOIDAL CURRENT LOAD WITH K-FACTOR NOT TO EXCEED K-13 SUITABLE FOR INDOOR OR OUTDOOR LOCATIONS BEFORE HANDLING, INSTALLING AND OPERATING; SEE INSTRUCTION MANUAL | | | |
| NEMA Class ANN Dry Type Transformer | | Siemens Industry, Inc. Norcross, GA 30092 | |

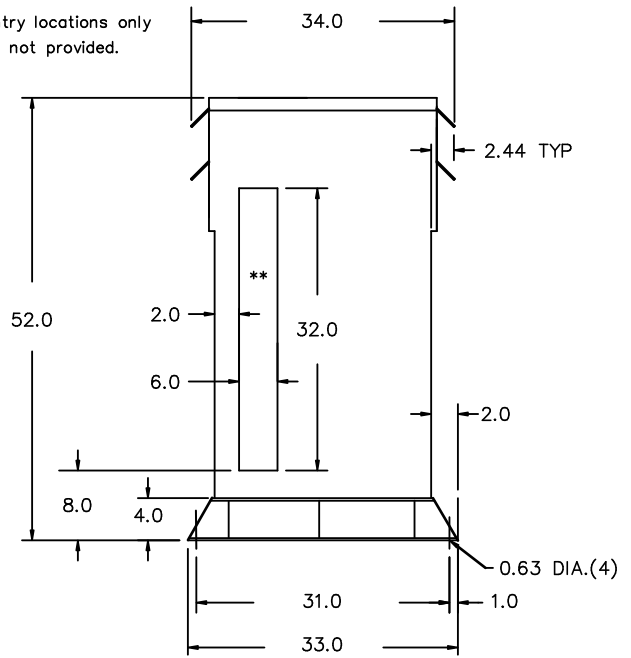


FRONT VIEW



** - Recommended cable entry locations only
cutouts & gland plates not provided.

SIDE VIEW



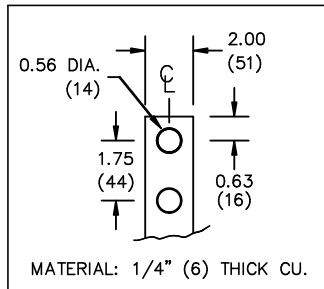
All Dimensions in inches

ENCLOSURE COLOR : ANSI 61 GREY - OUTDOOR

H.V.1. TERMINAL DETAIL

L.V.1. TERMINAL DETAIL

MECHANICAL TYPE LUGS INCLUDED
SUITABLE FOR 350MCM-6 CU/AL
CONDUCTORS
2 CONDUCTORS PER PHASE



CUSTOMER NOTES:

- HV1 TERMINATED AT TOP FRONT
- LV1 TERMINATED AT BOTTOM FRONT
- 2 X 100% RATED NEUTRAL PROVIDED

Confidential - Property of
Siemens Industry, Inc.

| REVISION | DATE | BY | DATE | BY |
|----------|------|----|----------|----|
| | | | 16/03/28 | PP |
| | | | | |
| | | | | |

| | |
|-----------|---------------------------|
| CUSTOMER | |
| ORDER NO. | DWG. NO. |
| | 3F3Y225K13FCD16 SH 2 OF 2 |