

Heavy Duty Safety Switch with Pyle-National Interlocked Receptacle

Type VBII, Type 12 Industrial and Type 4X Stainless Steel

Standards and Ratings

- UL Listed under file #E4776
- Meets UL98 for switches and UL 50 for enclosures
- Meets NEMA Standard KS-1 for enclosed switches
- Meets NEC wire bending space requirements
- Rated 10,000 AIC with Class H fuses or 200,000 AIC with Class R and J fuses
- I²t rated (Amps² x Seconds = 50,000)
- 12X overload current rating exceeds 10X industry standard

Features

- Quick-make and break switching action
- Double break visible blade design
- Highly visible ON/OFF indication
- Rugged installer friendly enclosure design
- Modular design allows quick and easy replacement of parts
- Front removable lugs which can easily be converted to copper body or compression type lugs
- Defeatable dual cover interlock
- Insertion or removal of the plug is prevented by the interlock linkage while the switch is ON
- Receptacle prevents operation of the switch if an incorrect plug is inserted
- Accepts Pyle-National plug # JPD- 116046

General Information

Catalog Number	Volts ¹	Description	Shipping Weight (lbs.)
Type 12 Industrial ²			
HF322JPN	240	3 Pole, 3 Wire, Fusible	28
HF362JPN	600	3 Pole, 3 Wire, Fusible	28
HNF362JPN	600	3 Pole, 3 Wire, Non-Fusible	27
Type 12 Stainless Steel			
HF362SPN	600	3 Pole, 3 Wire, Fusible	28
HNF362SPN	600	3 Pole, 3 Wire, Non-Fusible	27

Horsepower Ratings ^{3 4 5}

Catalog Number	3 Phase, 240V AC		3 Phase, 480V AC		3 Phase, 600V AC	
	Std	Max	Std	Max	Std	Max
HF322JPN	7½	15	—	—	—	—
HF362JPN	7½	15	15	30	15	50
HF362SPN	7½	15	15	30	15	50
HNF362JPN	—	20	—	50	—	60
HNF362SPN	—	20	—	50	—	60

Mechanical Lug Wire Ranges (60/75°C, Cu/Al)

Description	Wire Range
Line, Load Neutral	#14-3 AWG (Cu/Al)
Ground ⁶	#14-4 AWG

¹ Also rated 250V DC.

² Also rated 3R/3S for outdoor use.

³ Horsepower ratings listed also apply to high efficiency motors with no derating.

⁴ Dual horsepower ratings: Std - applies when non-time delay fuses are installed.

Max - applies when time-delay fuses are installed.

⁵ Also rated 10HP at 250V DC.

⁶ Load side of ground kit is wired to the 3 phase, 4 wire grounded type receptacle.

Product Specification Sheet HD60.16

Answers for industry.

SIEMENS

Product Specification Sheet #HD60.16 (page 2 of 2)

Replacement Parts

Catalog Number	Description
HFB62	Fusible Line Side Replacement Base (600V)
HBB62	Fusible Load Side Replacement Base (600V)
HNB623	Non-Fusible 600V Replacement Base
HH6123	Replacement Handle/Handle Guard (HH6123S for Stainless)
HL612	Replacement Lugs (3 lugs per kit)
HM6123	Replacement Mechanism (HM6123S for Stainless)
1	Replacement Door

Accessories

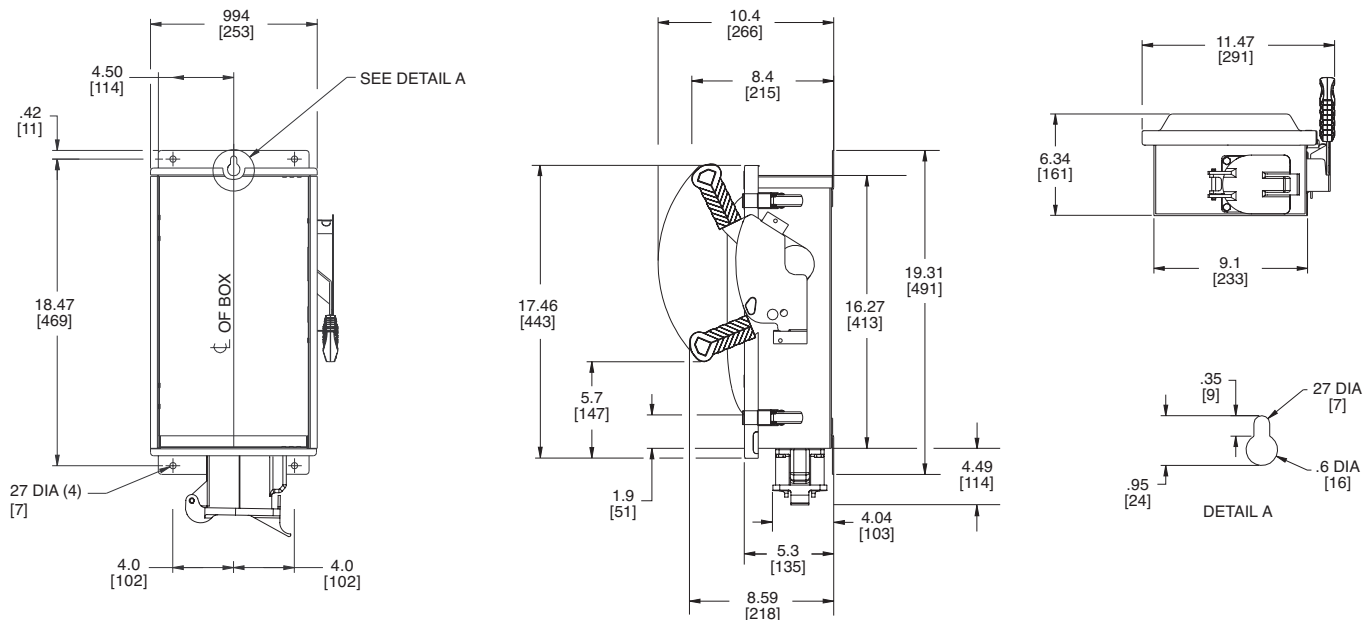
Catalog Number	Description
HA161234	One Normally Open and Closed Auxiliary Switches
HA261234	Two Normally Open and Closed Auxiliary Switches
HA361234	Low Voltage Auxiliary Switch
HG61234	Equipment Ground Lug Kit
HP62	Fuse Puller
HR62	600 Volt Class R Fuse Clip (3 fuse clips per kit)
HLC612	Copper Lug Kit (9 lugs per kit)
SSH100	1.00" Type 12 and 4X Hub
SSH150	1.50" Type 12 and 4X Hub

Compression Lugs

Wire Size	Burdny		Thomas-Betts		IlSCO	
	CU Only	CU/AL	CU Only	CU/AL	CU Only	CU/AL
#14-10			256-30695-1352	60097		
#8	YA8C-L1 BOX	YA8CA3	54130	60102		ACL-8
	YA8C-TC14		54930BE	61102		
#6	YA6C-L BOX	YA6CA1	54105	60107	CRB-6	ACL-6
	YA6C		54905BE	61107	CRB-6L	
#4			54106	61112	CRB-4	

1 Place "Door" at the end of the switch catalog number.

Dimension Drawing



No knockouts in the enclosure.
Dimensions shown in inches and millimeters ().
Dimension shown accurate to $\pm \frac{1}{8}$ inch.

	LINE SIDE WIRE BEND
600V Fused	3.54 (90)
Non-Fused	3.54 (90)

Type 12 Enclosure: Galvanized Steel
.054 Thick (17 Gauge)

Finish: ANSI Grey #61 Paint

Type 12 Stainless Enclosure: 304 Stainless Steel
.055 Thick (17 Gauge)

60A Pyle-National Receptacle
JRC-460-INT-12