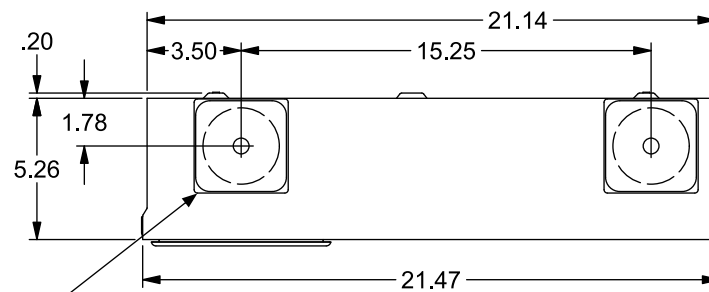
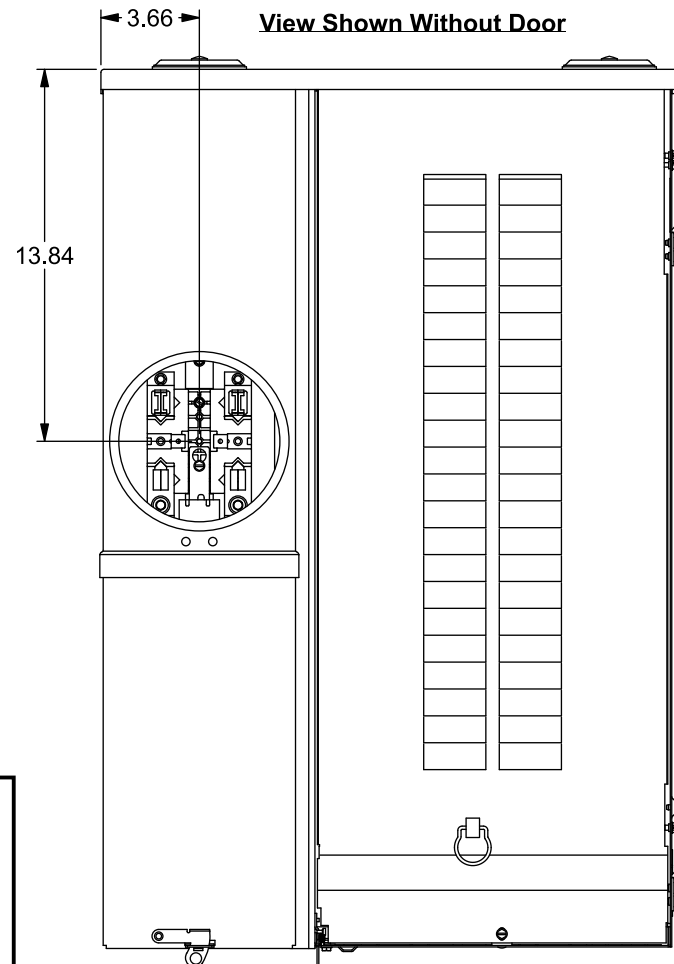
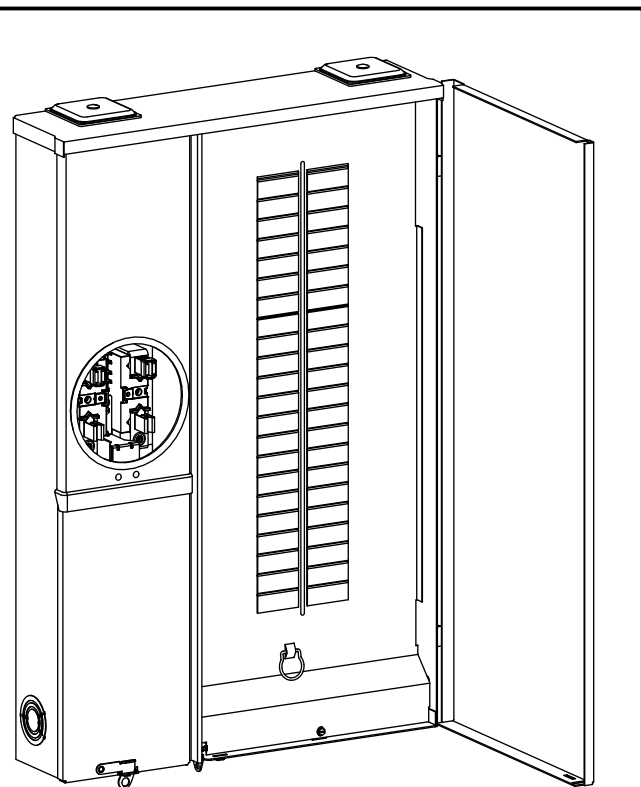


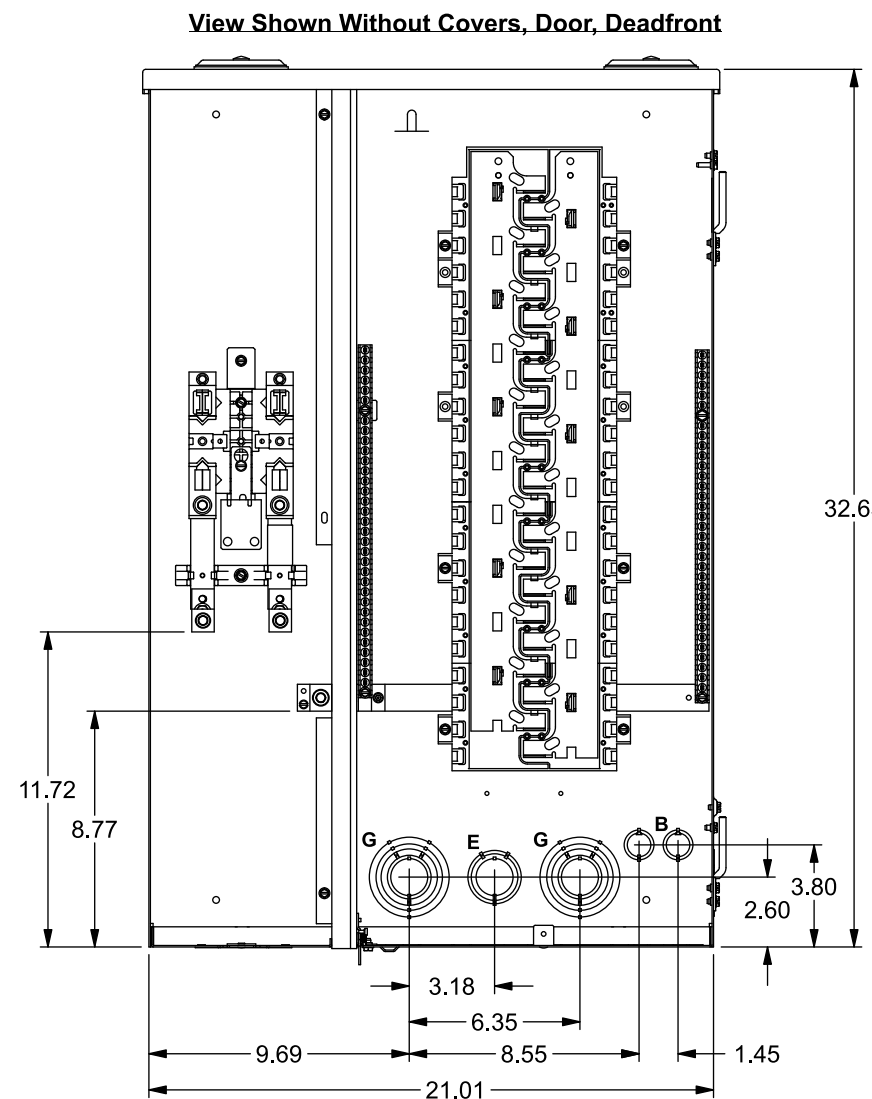
Catalog Number: MC4040NB1200SC

Features and Ratings

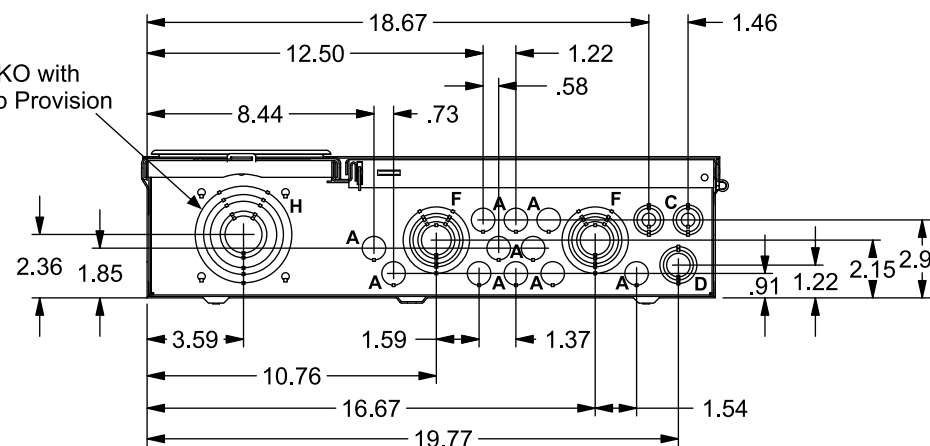
- Outdoor Enclosure (NEMA Type 3R)
- Ring Type Meter Cover (Ring Included)
- Meter Socket Rating: 200A Continuous
- Panelboard Rating: 200A Max; Bus rating: 225 Amps Max.
- 1 Phase, 3 Wire, 120/240V~
- 22,000 AIC Max. Rated (See Wiring Diagram for Details)
- (40) 1" Spaces, (40) Circuits Max.
- **Main Breaker Not Included**
- **Conductors Not Included**
- Overhead or Underground Service Entrance
- (2) RX Type Hub Provisions on top
- HC Hub Provision on bottom
- Surface Mounting
- Full-width Load Center



(2) RX HUB OPENINGS
COVER PLATES
PROVIDED



"H" KO with
HC Hub Provision



DESIGNATION	QTY	KNOCKOUT
A	11	1/2"
B	2	3/4", 1/2"
C	2	3/4", 1/2", 3/8"
D	1	1", 3/4", 1/2"
E	1	1-1/2", 1-1/4", 1"
F	3	2", 1-1/2", 1-1/4", 1", 3/4"
G	2	2-1/2", 2", 1-1/2", 1-1/4", 1"
H	1	3", 2-1/2", 2", 1-1/4", 1"

Accessories, Torques & Wire Sizes

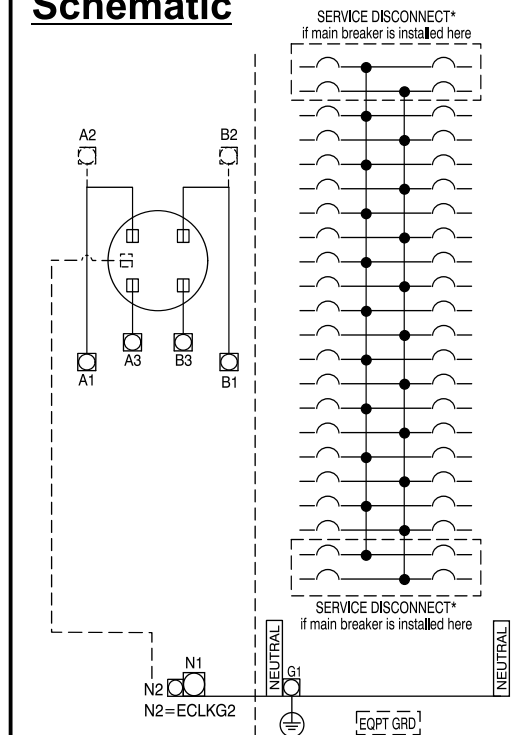
Trade size (in)	Catalog number
RX Type Hub (top endwall)	
1 1/4"	EC38597
1 1/2"	EC38598
2"	EC38599
2 1/2"	EC38600
RX Cover Plate	EC38595
HC Type Hub (bottom endwall)	
2"	ECHC200
2 1/2"	ECHC250
3"	ECHC300

Accessories:
 Filler Plate - ECQF3
 5" Jaw Assembly - EMC5J
 Flush Rail Kit - FRK1
 Meter Socket Jumper - ECJS
 Ground Bar - "ECGB" series
 Line Terminal Barrier - ECLTB3

Lug Kits:

Catalog #	Wire Range	Torque
ECLK1-2	2/0 - #2	45 lb in
ECLK2	2/0 - #4	135 lb in
ECLK3	300kcmil - #1	340 lb in

Schematic



*Main Breaker may be installed in top or bottom location shown

Any 80 Amp or above Type QP or MP branch circuit breakers must be installed in the lowest position in the branch panel. All other positions are limited to 70 Amps maximum for Type QP or MP breakers listed.

Terminal	Wire Size	Torque
A1, B1, A2, B2	250kcmil - #4	250 lb-in
N1, A3, B3	250kcmil - #6	275 lb. in.
N2	#2 - #14	50 lb-in
G1	1/0 - #14	120 lb-in
Branch Breaker Terminals	See Markings on Breaker	
Neutral Bar	#10 - #14 CU	20 lb-in
	#10 - #12 AL	20 lb-in
	#8	25 lb-in
	#6	35 lb-in
Ground Conductors Only	(2) or (3) #14 AWG	20 lb-in
	(2) #12-#10 AWG	20 lb-in

© 2019 Copyright Siemens Industry, Inc.

SIEMENS
Siemens Industry, Inc.

Meter Load Center Combination

Description:
200A, 40 Sp/40 Ckt, OH/UG, Surf Mount

KAM 1/21/19 Fam K DO NOT SCALE DRAWING Dwg. No. **MC4040NB1200SC**