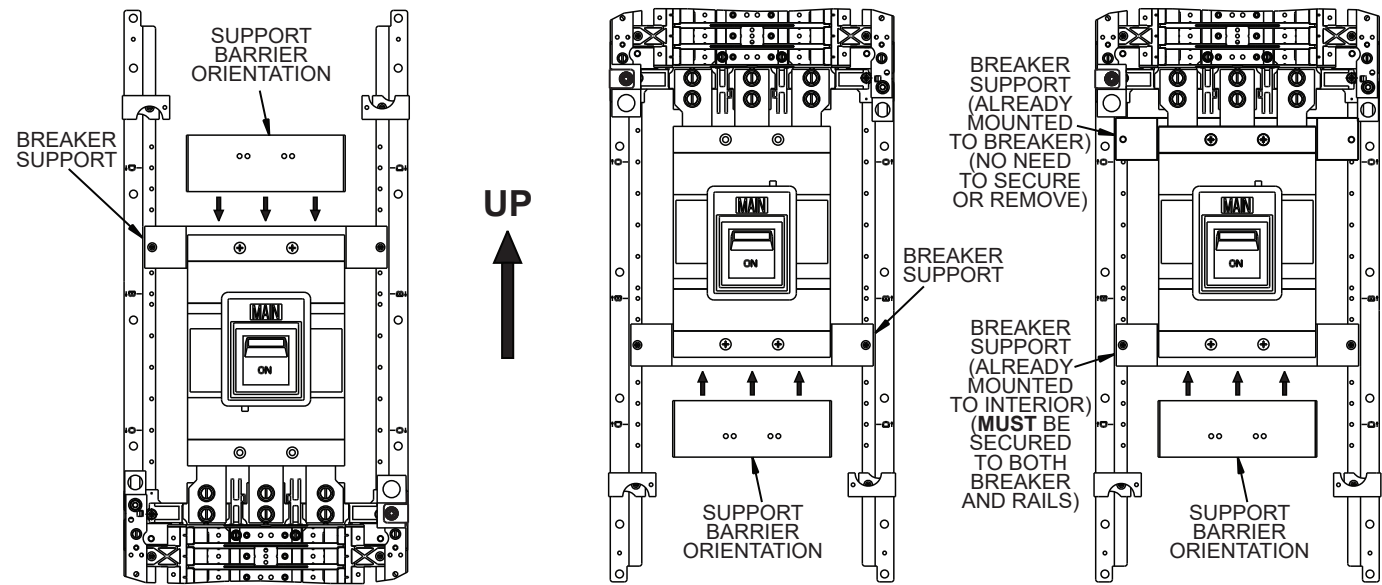


NOTE: For both feed location configurations, the breaker handle must point upward when in the "ON" position.



TOP FEED CONFIGURATION BOTTOM FEED CONFIGURATION

Figure 2: Top & Bottom Feed Kit Configurations

Figure 2A: Bottom Feed for Pre-Installed Breaker Kit Configuration

NOTE: For both feed location configurations, the filler is oriented as shown, with the "MAIN" label positioned above the breaker handle.

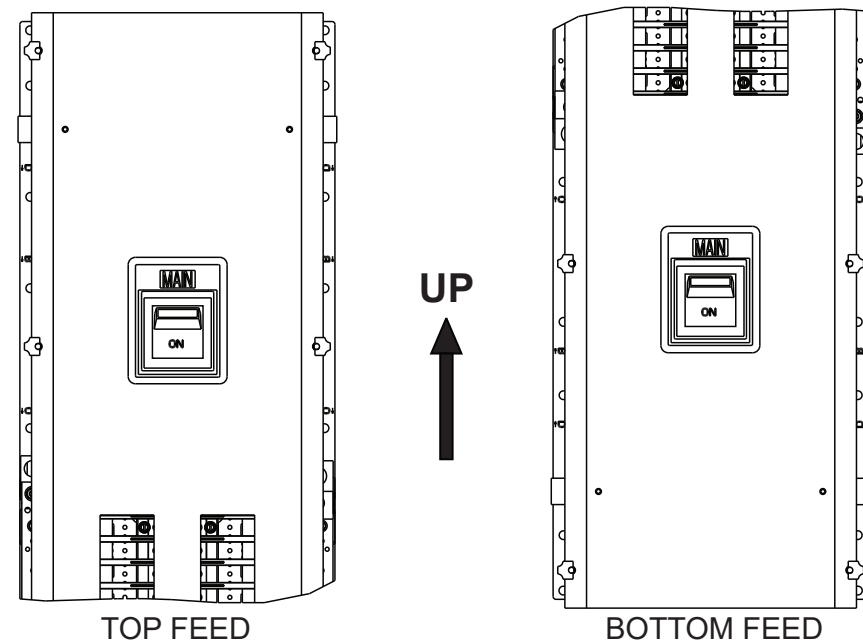


Figure 3: Top & Bottom Feed Deadfront Filler Installation

These instructions do not purport to cover all details or variations in equipment, or to provide for every possible contingency to be met in connection with installation, operation or maintenance. Should further information be desired or should particular problems arise, which are not covered sufficiently for the purchaser's purposes, the matter should be referred to the local Siemens sales office. The contents of this Instruction manual shall not become part of or modify any prior or existing agreement, commitment or relationship. The sales contract contains the entire obligation of Siemens. The warranty contained in the contract between the parties is the sole warranty of Siemens. Any statements contained herein do not create new warranties or modify the existing warranty.

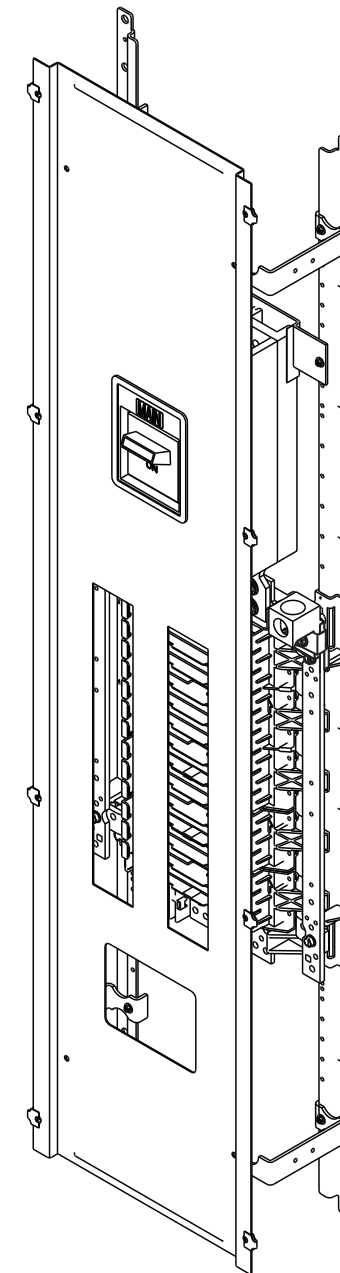
Trademarks - Unless otherwise noted, all names identified by ® are registered trademarks of Siemens AG or Siemens Industry, Inc. The remaining trademarks in this publication may be trademarks whose use by third parties for their own purposes could violate the rights of the owner.



MBKJD1A, MBKJD3A & MBKJD3B JD Main Breaker Kit for P1-400 Panelboard (for use in Revised P1 Panelboards ONLY)¹

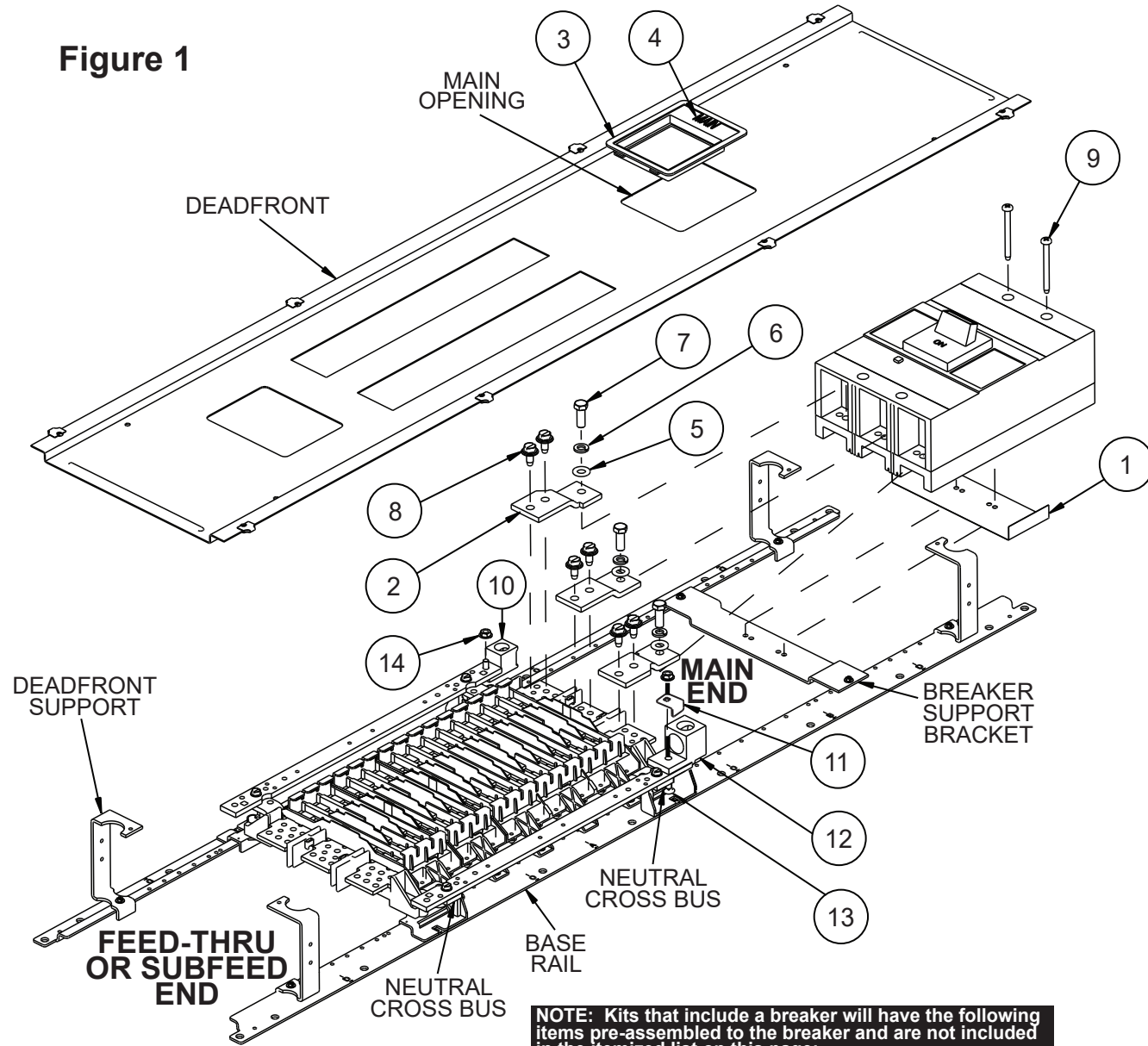
Installation
Instructions

Also for JD
breaker kits
with breaker
INCLUDED.
Part numbers:
MBKJD1*A**
MBKJD3*A**
MBKJD12*A**
MBKJD32*A**



¹ To confirm, note the part number of the panel (marked on the interior label). If it ends in an "N" or a "T" it is a "Revised P1" and is compatible with this kit. (For example: **P1E42MC250A** is an Original P1; **P1E42MC250AT** is a Revised P1)

Figure 1



NOTE: Kits that include a breaker will have the following items pre-assembled to the breaker and are not included in the itemized list on this page:
 (1) Type JD circuit breaker
 (1) breaker support barrier (see item 1)
 (2) 1/4"-20 round head screws (see item 9)
 (1) breaker support bracket
 (All items in the itemized list below are included in this kit for use as needed for installation per these instructions.)

THIS KIT CONTAINS THE FOLLOWING ITEMS:

ITEM	DESCRIPTION	QTY	TORQUE
1	BREAKER SUPPORT BARRIER	1	N/A
2	PHASE CONNECTOR	**	N/A
3	BREAKER ESCUTCHEON *****	2	N/A
4	MAIN LABEL	1	N/A
5	3/8" NARROW WASHER	**	N/A
6	HELICAL SPRING LOCKWASHER	**	N/A
7	3/8"-16 x 1" HEX HEAD BOLT	**	240 lb-in
8	5/16"-18 x 3/4" HEX HEAD SEMS* ASSEMBLY SCREW	***	****
9	1/4"-20 x 2-3/4" PHILLIPS ROUND HEAD THREAD-FORMING SCREW	2	30 lb-in
10	350 kcmil NEUTRAL LUG ASSEMBLY	1	N/A
11	600 kcmil NEUTRAL LUG	1	N/A
12	ANTI-TURN PLATE	1	N/A
13	1/4"-20 x 1" CARRIAGE BOLT	1	N/A
14	1/4"-20 BELLEVILLE WASHER NUT	2	72 lb-in

* SEMS ASSEMBLY SCREWS HAVE A CAPTIVE WASHER ON THE SCREW
 ** (2) FOR 1Ø, (3) FOR 3Ø
 *** (4) FOR 1Ø, (6) FOR 3Ø
 **** TORQUE: 72 lb-in for 1/8" CU; 108 lb-in for 3/16" AL
 ***** 2 ESCUTCHEONS PROVIDED, 1 BIGGER THAN THE OTHER; USE SIZE THAT FITS DEADFRONT OPENING

Installation Instructions

The following instructions are for the installation of a Siemens JD main breaker kit in a 400 amp Revised P1 Panel-board. The parts provided in this kit are for connection to a 1-phase 2 or 3-wire system or to a 3-phase 3 or 4-wire system. For all 1-phase systems, disregard the B-phase connector instructions. The breaker is NOT included with this kit and must be purchased separately. Be sure to choose the appropriate breaker for the voltage, system & feed location in use. For systems with no neutrals, disregard the neutral connection.

NOTE: Other main breaker kits may include this kit AND a breaker with main breaker support(s) attached. White text on black background on these pages denote instructions specific to these particular kits (see list on front cover). (For clarification, DANGER warning below applies to all.)

Bottom-feed mains are reverse fed, and require Type JXD breakers. Top-feed mains may be either Type JD or JXD:
Top-feed Main Breakers:
 JD, HJD, JXD, HJXD
Bottom-feed Main Breakers:
 JXD, HJXD



⚠ DANGER
 Hazardous voltage. Will cause death or serious injury.
 Keep out. Qualified personnel only. Disconnect and lock off all power before working on this equipment.

The P1-400 Panel provides wiring space for the following cable options:
 For (2) 250 kcmil line cables per phase use breaker line lug **TA2J6500** or copper lug **TC2J6500**
 For (1) 600 kcmil line cables per phase use breaker line lug **TA1L6750** or copper lug **TC1J6600**

- Lock off all power supplying this equipment before working on it.
- Remove the deadfront.
- To install this kit for main breaker use, remove the main lugs (if installed).
- 3-Phase panels require a B-phase connection. Position the B-phase connector so that the single-hole end rests on the breaker pad and the double-hole end rests on the panel section or main bus. Attach the connector to the breaker pad using the same hardware as the A and C-phases. Do NOT tighten at this time.

For installation as a Main Breaker:

- To install this kit for main breaker use, remove the main lugs (if installed).

TOP FEED: Also remove the main breaker support already installed onto rails. (Save hardware for mounting of pre-installed support.)

- Refer to Figure 2 on page 4 to determine the correct breaker mounting for the panel's feed location. Also refer to main breaker instructions for access to mounting holes; breaker covers may need to be removed for access. Breaker kits include **TA2J6500** Wire Grip Kits (may also be purchased separately). Install wire grips on the correct end of the breaker by following Installation Instructions included with the Wire Grip Kits.

TOP FEED: Install lugs at the ON end of the breaker. The breaker support bracket is pre-installed on the breaker ON end. Attach this bracket to the base rails using the hardware removed in step 3. Skip to step 5.

BOTTOM FEED: Install lugs at the OFF end of the breaker.

Leave the pre-installed breaker support bracket attached to the breaker but note it does not need to be secured to the base rails. Instead, attach the breaker to the existing mounted support bracket (as shown in Fig. 2A on pg. 4) by following these directions:

Insert both 1/4"-20 x 2-3/4" screws (item 9) through the appropriate end of the breaker case and through the outer holes on the support barrier (item 1) as shown in Figure 1, to retain the barrier during installation. Fasten the breaker to the support.

- Position one of the outer breaker connectors (item 2) so that the single-hole end rests on the breaker pad and the double-hole end rests on the panel section or main bus. Note that the outer connectors are mirror images and are NOT interchangeable. Attach the connector to the breaker pad using 3/8"-16 bolt (item 7), a helical spring lockwasher (item 6) and a plain washer (item 5) as shown. Do not tighten at this time. Repeat the process to attach the other outer connector to the breaker.

- Fasten all breaker connectors to the panel section or main bus using two 5/16"-18 SEMS screws (item 8) per joint.
- On 1-phase 3-wire and 3-phase 4-wire systems, neutral lugs are required. For the 600 kcmil neutral lug (item 11), insert the 1/4"-20 x 1" carriage bolt (item 13) through the square hole on the neutral riser from below, then place the 600 kcmil neutral lug and the anti-turn plate (item 12) as shown. Finish with the 1/4"-20 belleville washer nut (item 14).
- Position the 350 kcmil neutral lug assembly (item 10) under the neutral riser, allowing the stud to penetrate as shown. Fasten it to the riser with a 1/4"-20 belleville washer nut (item 14).
 NOTE: If the panelboard is fed by two 250 kcmil or smaller cables, this lug assembly is used for the second incoming cable and one of the 1/0 terminations on the neutral strip is used for a grounding electrode conductor (if required for service equipment applications). If the panelboard uses a 600 kcmil cable for neutral and is being used as service equipment, the 350 kcmil lug is used for the grounding electrode conductor.
- Torque all connections to the values specified on the Hardware Tightening Torque label affixed to the rear of the deadfront (or reference assembly instructions where appropriate).
- Attach the main cables to the breaker and neutral terminal and torque connections to values specified on the device. If no values are listed on the device, refer to the Hardware Tightening Torque label affixed to the rear of the deadfront.
- Remove the main lug blank filler from the deadfront main opening (if present). Refer again to Figure 3 on page 4 to determine the correct orientation of the deadfront main breaker escutcheon (item 3) for the panel's feed location. Insert the breaker escutcheon into the front of the deadfront.
- For main breaker applications, apply the "MAIN" label (item 4) to the breaker escutcheon as shown.
- Before energizing the panel, ensure that all connections have been properly torqued, that all circuit breaker terminal covers are secured, that the deadfront is installed and that all fillers are in place.