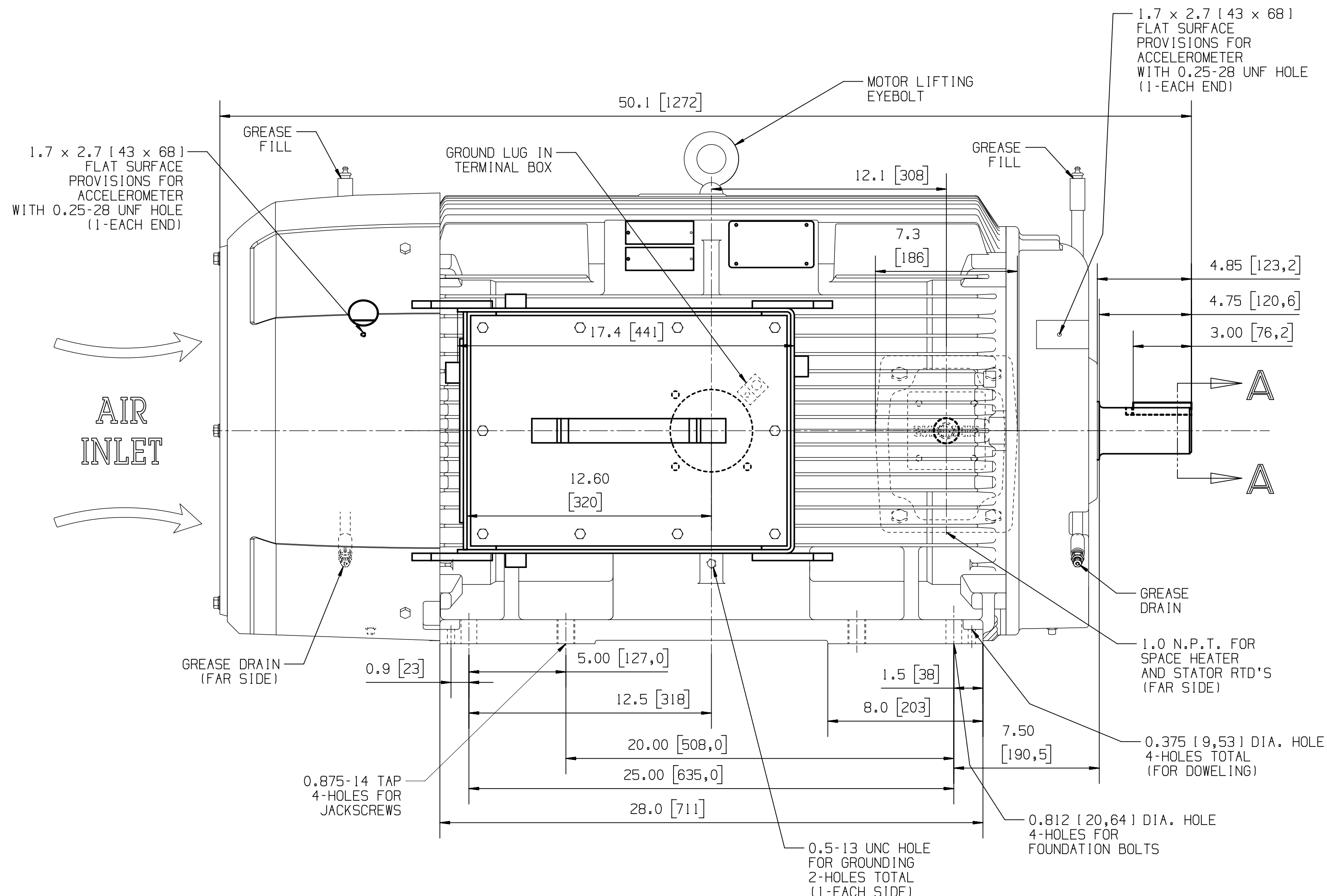
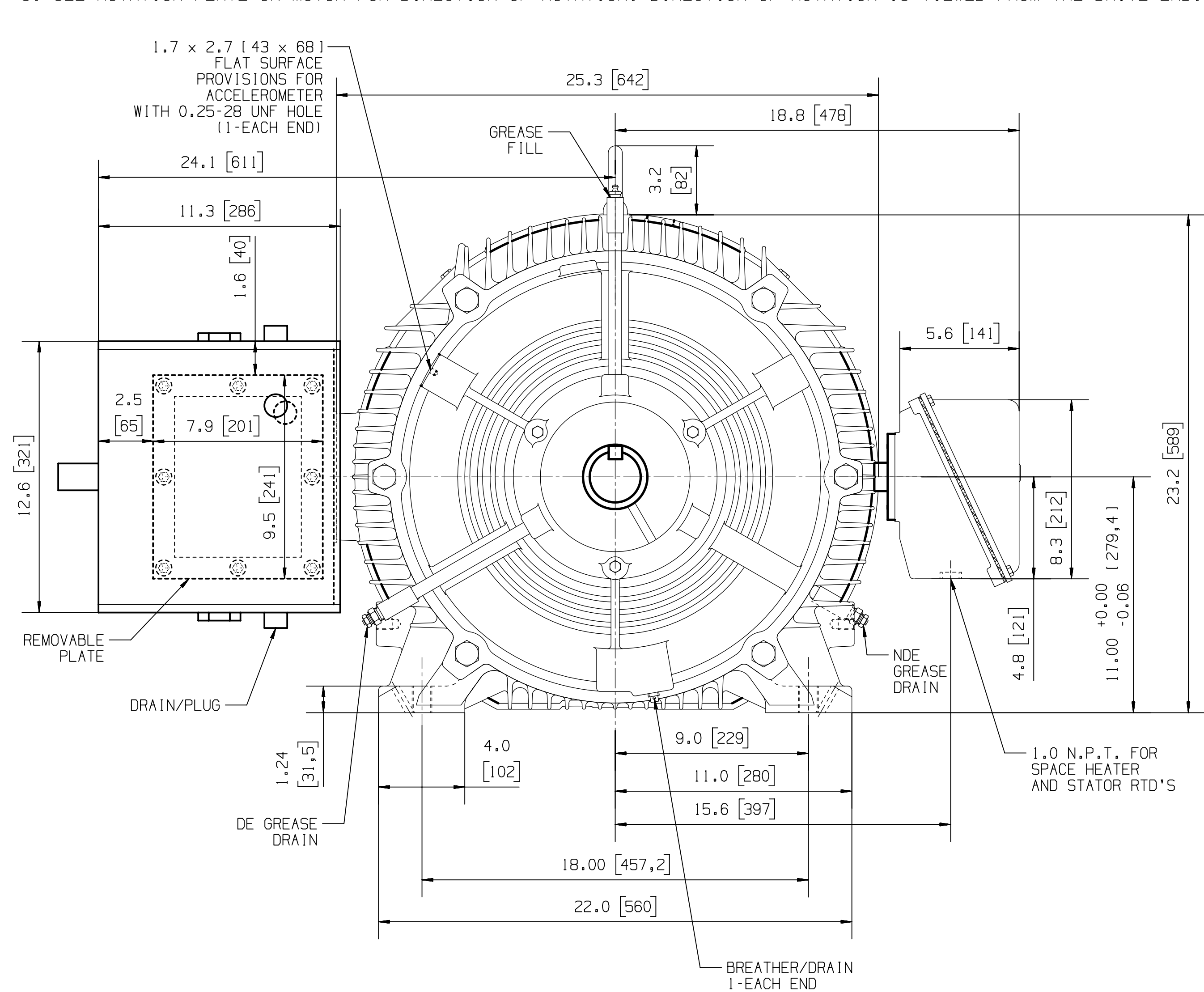
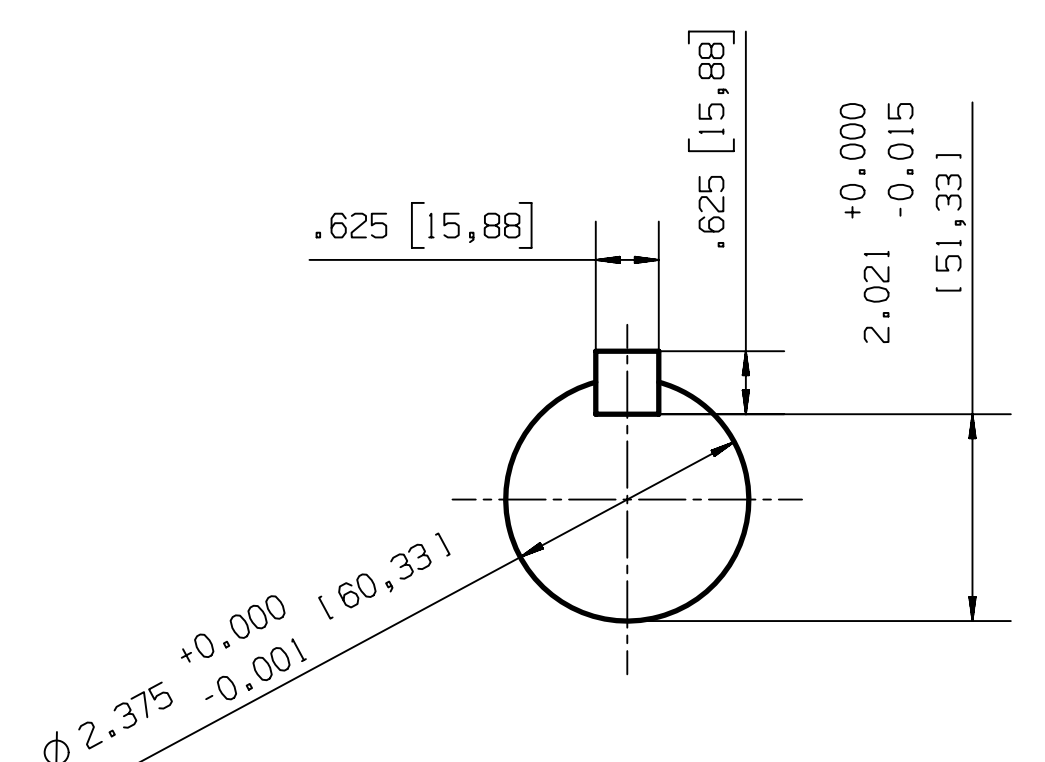


NOTES:

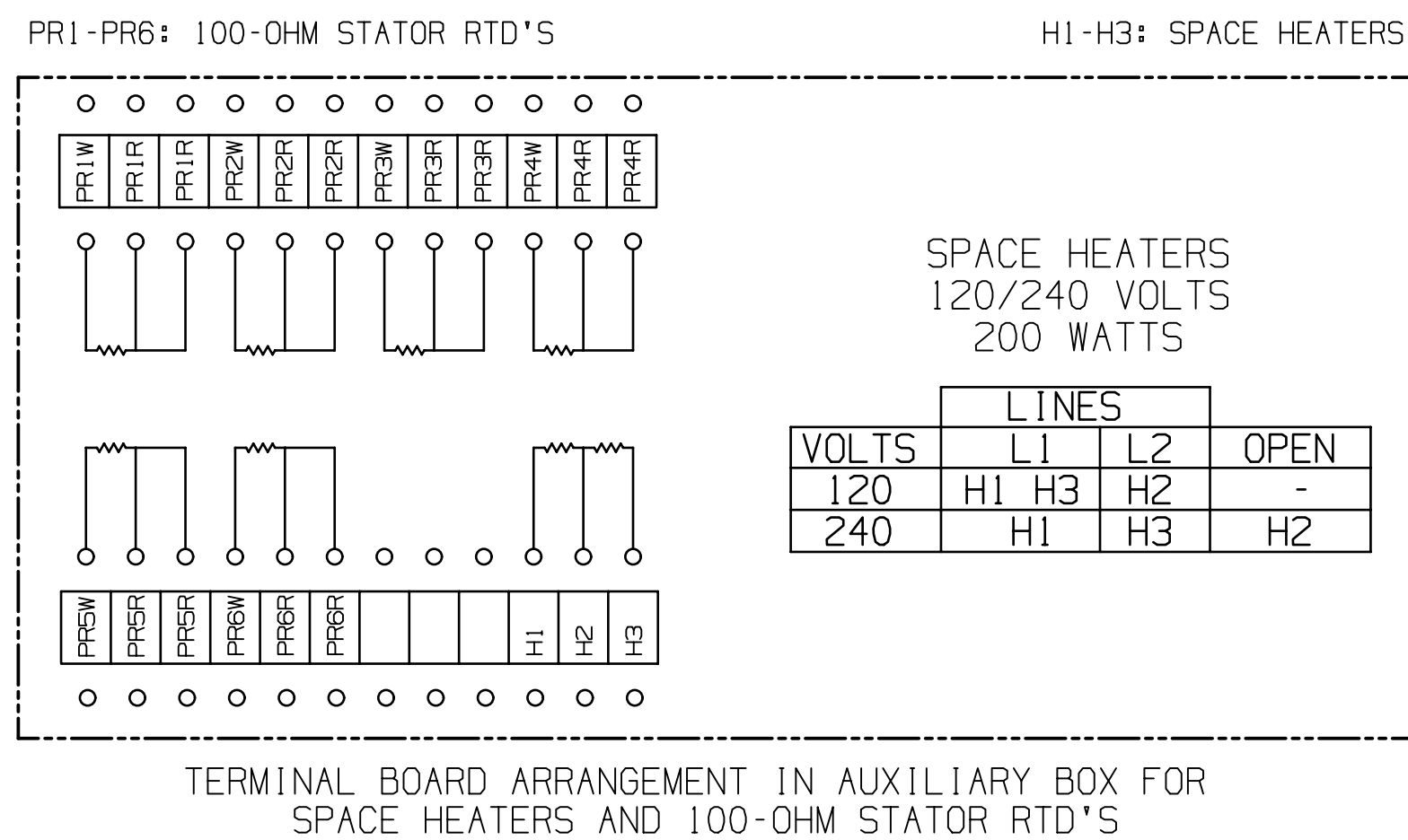
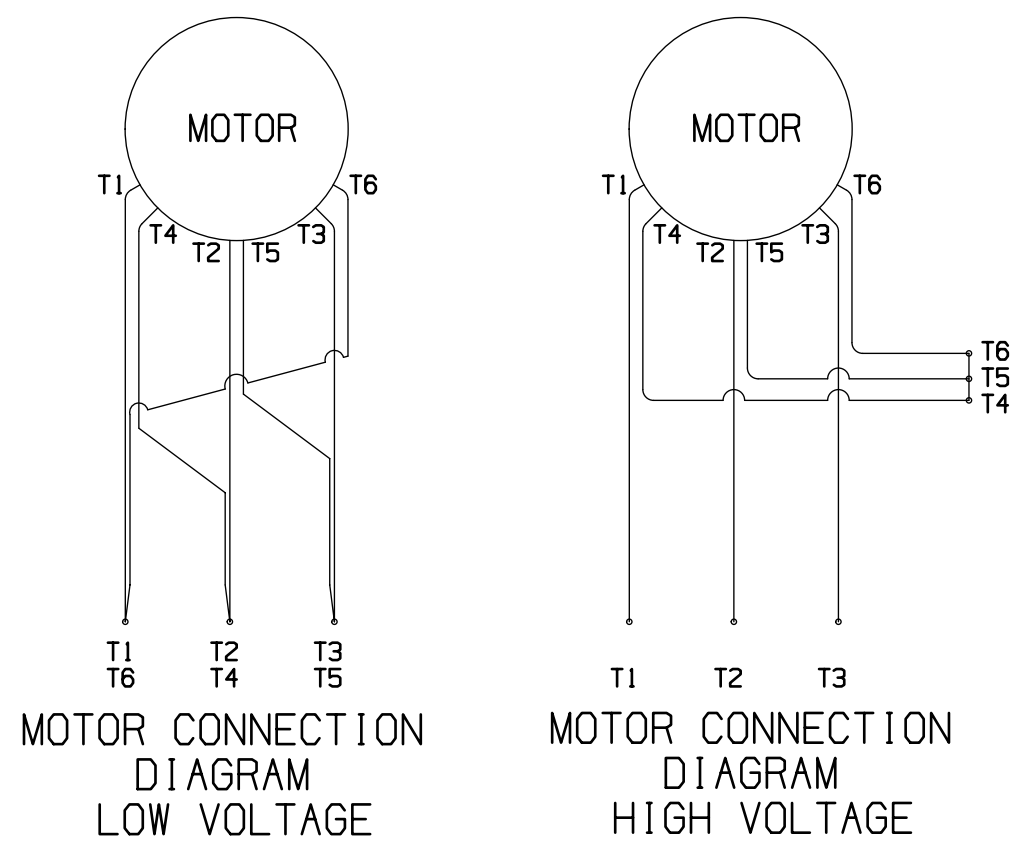
1. MAIN CONDUIT BOX MAY BE ROTATED IN STEPS OF 90°.
2. NON-DRIVE END BEARING IS INSULATED, INSULATE ANY CONNECTIONS TO THIS BEARING.
3. FOR RELUBRICATION OF BEARINGS, SEE LUBRICATION PLATE ON MOTOR.
4. FOR SAFETY PROCEDURES AND ALIGNMENT REQUIREMENTS, SEE INSTRUCTION MANUAL.
5. SEE ROTATION PLATE ON MOTOR FOR DIRECTION OF ROTATION. DIRECTION OF ROTATION IS VIEWED FROM THE DRIVE END.



RTD ALARM/SHUTDOWN DATA		
	ALARM	SHUTDOWN
STATOR	155°C	170°C



SECTION A-A



(AB) ADDED NOTE #5

SIEMENS CERTIFIED PRINT
CUSTOMER INITIATED CHANGES MAY AFFECT PRICE AND DELIVERY
PRODUCTION WILL PROCEED ON THE BASIS OF THIS DRAWING

FRAME	TYPE	VOLTS	PH	Hz
449TS	TEFC	2300/4000	3	60

Author	KANE	Product MLTBProduct-ID	Doc Type	TB / MB
Creator	2018-06-01 Fortschbacher	Item No	Paper Size	D
Approval	2018-06-04 PEREZ CEDENO	Doc No	1st Language	en
Department	FD LO AP MG R&D ANEMA 2	Revision	2nd Language	de
Change Order	PSA00279944	Revision State	AB	AS544539110A
Doc State	Released	Project No	Sheet	1 of 1
Revision	Kauffman 002	Year	2017 - 2018	

SIEMENS AG 2017 - 2018