

**Catalog Number: 40404-906**

**Features and Ratings**

- Ringless Type Meter Socket
- 200A Continuous, 200A Max., 600V AC
- Outdoor Enclosure (NEMA Type 3R)
- Painted Steel Enclosure
- 1 Phase, 3 Wire
- 4 Jaw Meter Socket
- Meter Socket Type HQ-4GU
- For Underground Service Only
- Lever Bypass
- One Ground Lug Installed

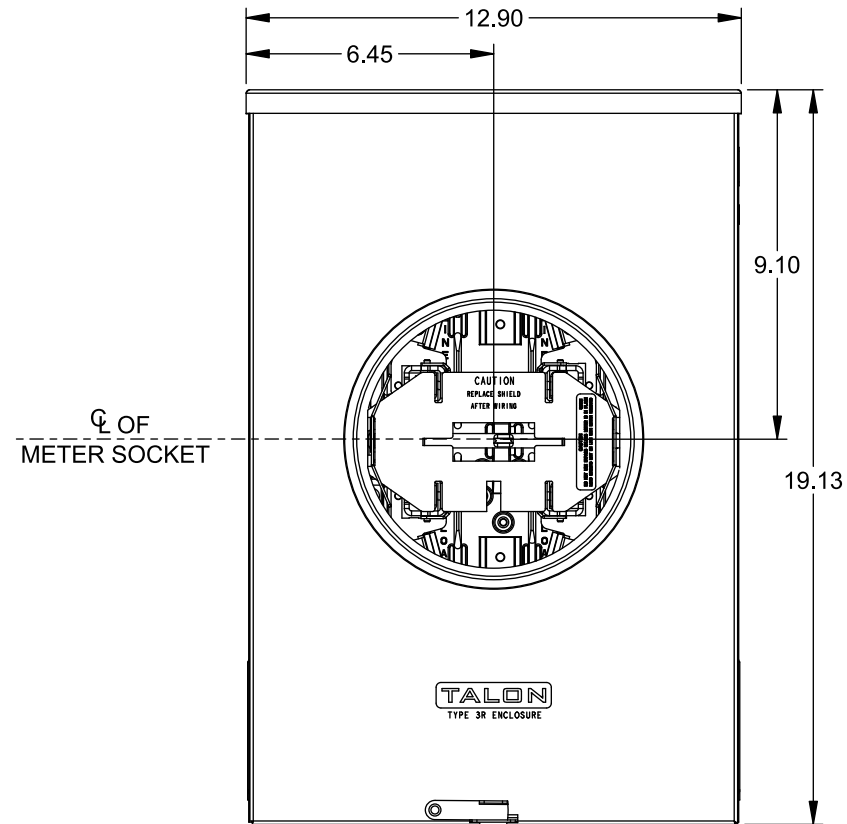
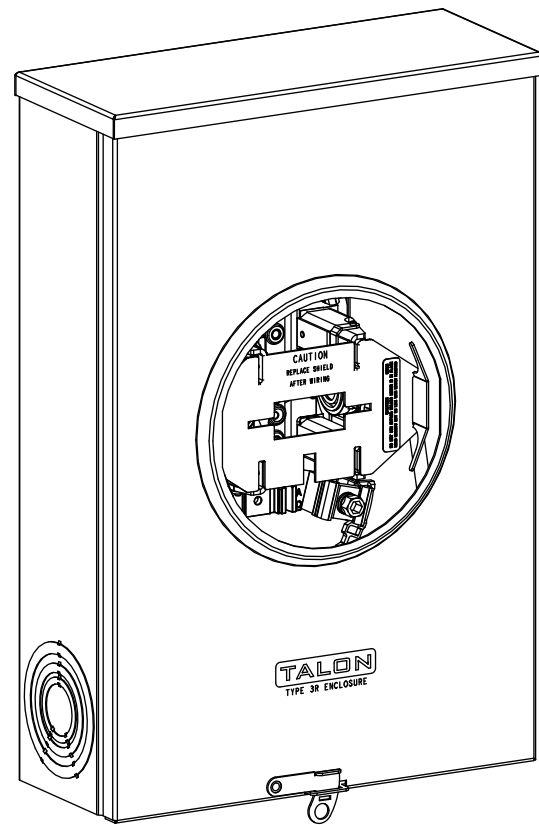
**Accessories**

Meter Opening Cover Plate  
 Cat No: H659-0162  
 5th Jaw Kit @ 9 o'clock Position  
 Cat. No: EC35815-2

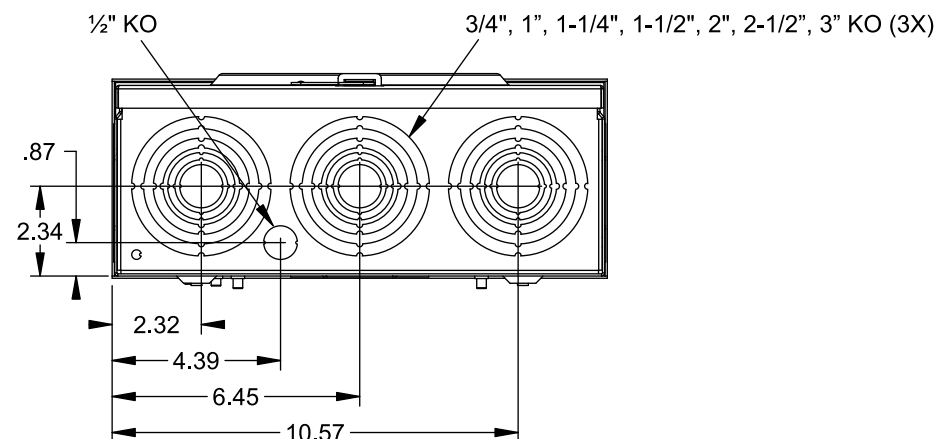
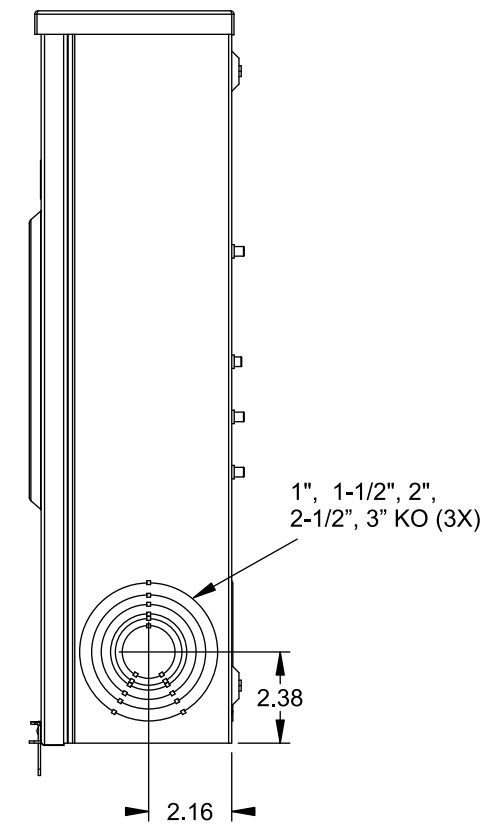
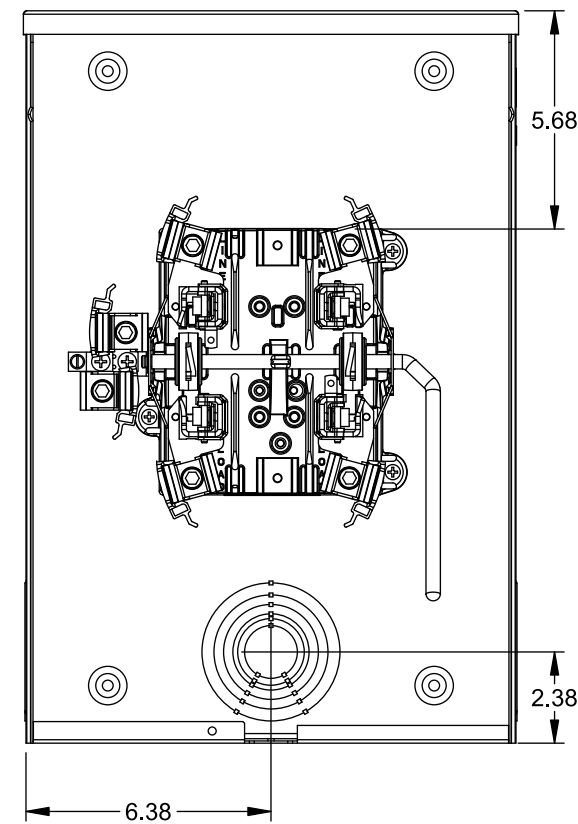
**Connectors, Wire Sizes and Torques**

CONNECTOR	WIRE SIZE	TORQUE
LINE, LOAD, NEUTRAL*	#6 - 350 kcmil	275 IN.-LBS.
GROUND	#14 - 2 AWG	45 IN.-LBS.

\* External Hex Drive 1/2"  
 \* Internal Hex Drive 5/16"



VIEW SHOWN WITH COVER REMOVED



© 2015 Copyright Siemens Industry, Inc.

**TALON**  
**Meter Socket**

Description: **200A Cont, 4 Jaw, HQ-4GU, 600V AC, Painted Steel Enclosure**

JEL 7/30/15 | DO NOT SCALE DRAWING | Dwg No: **40404-906**